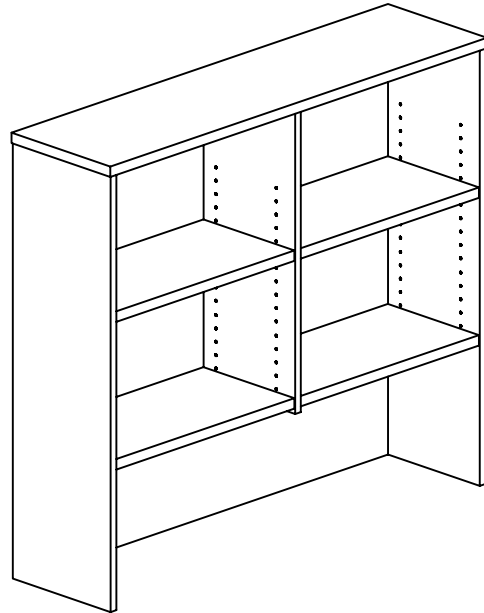


ASSEMBLY INSTRUCTIONS

CH12N

CH15N

SPH12



pin	6x35	1	17PCS
CAM		2	17PCS
Cam Cover		3	17PCS
Bolt Minifix		4	16PCS
Bracket		5	4PCS
Screw	4x16	6	16PCS

