
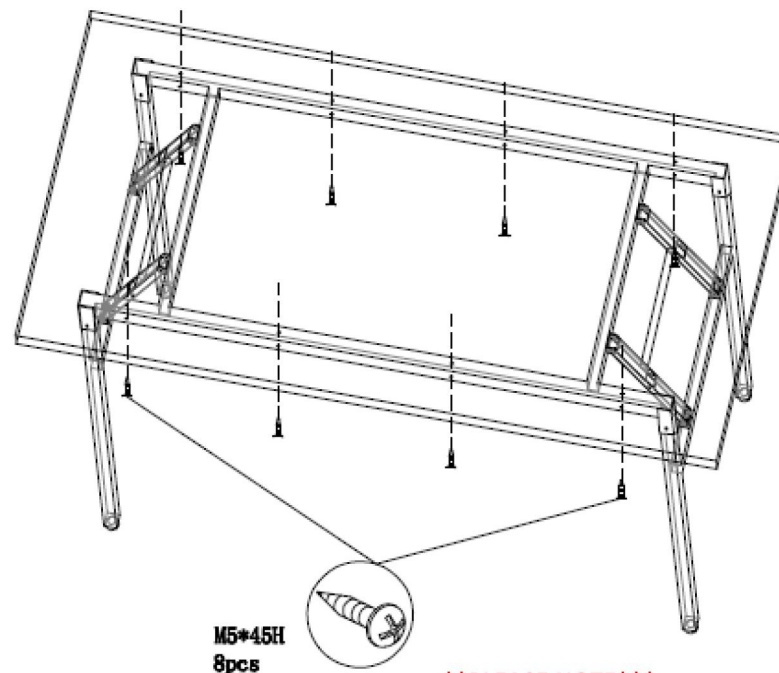


Steel Frame Folding Table

	M5*45H 8pcs		



****PLEASE NOTE****

Supplied timber top attaching screws are for use with top thicknesses of 25mm or greater. Do not use these screws if your top thickness is less than 25mm