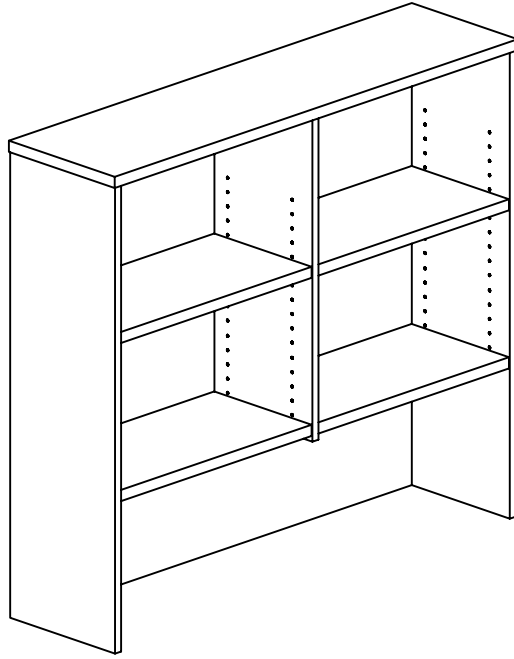


# ASSEMBLY INSTRUCTIONS

## CH12N

## CH15N



pin	6x35	1	17PCS
CAM		2	17PCS
Cam Cover		3	17PCS
Bolt Minifix		4	16PCS
Bracket		5	4PCS
Screw	4x16	6	16PCS

