

ASSEMBLY INSTRUCTIONS

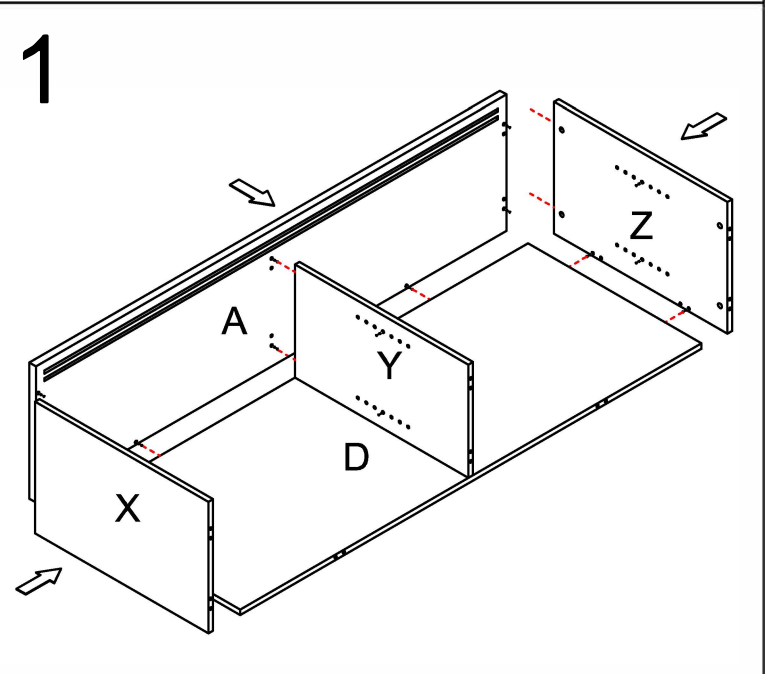
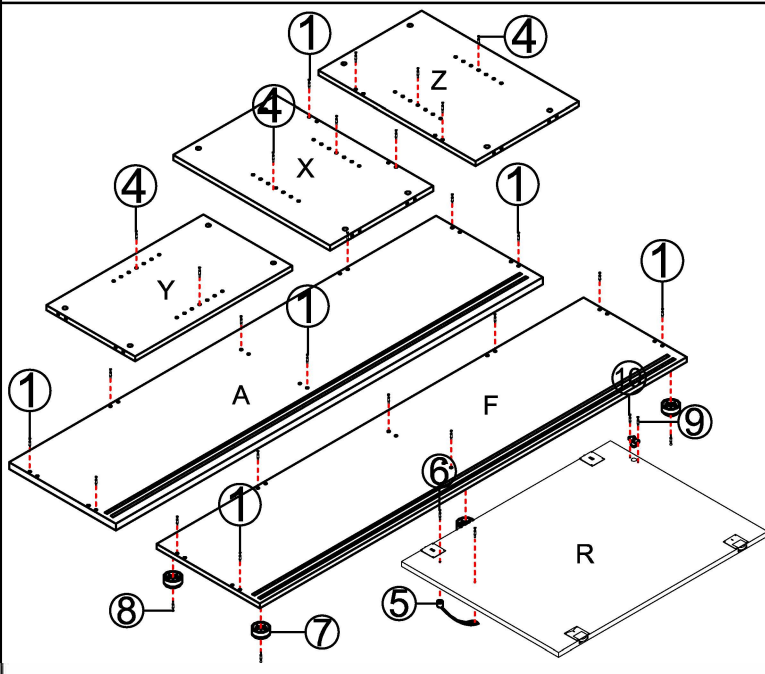
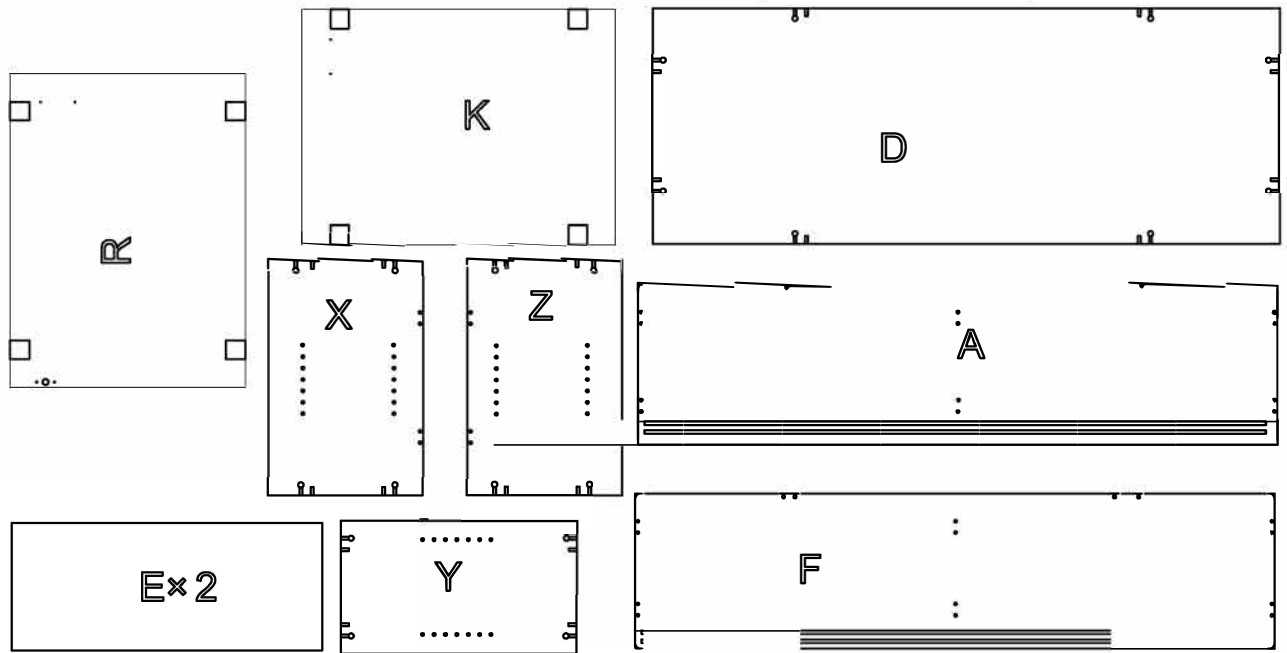
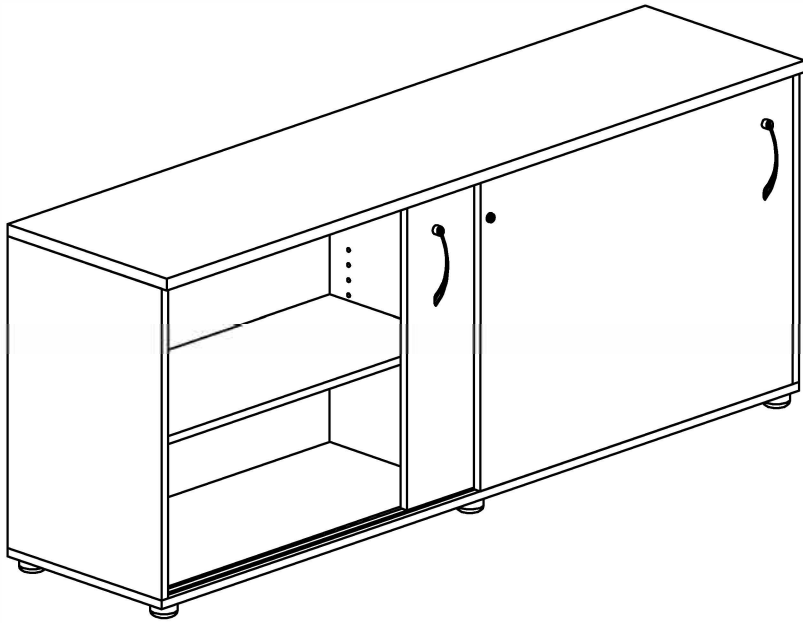
VCZ1245



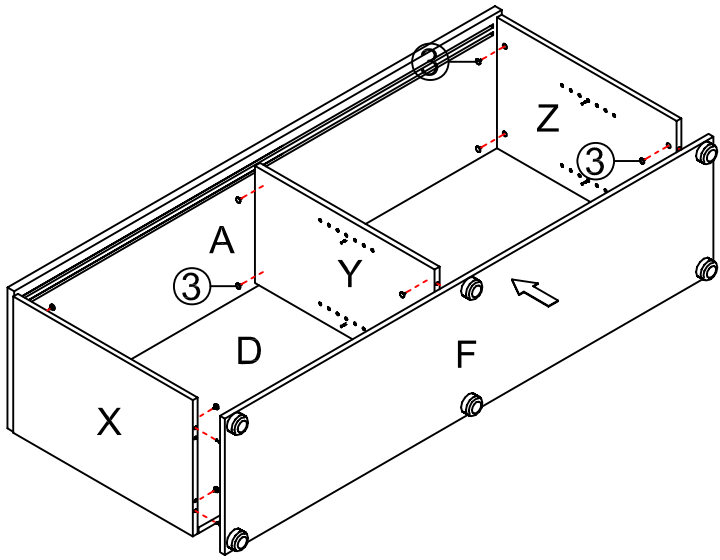
EPIC OFFICE
furniture.com.au

2011-8-25

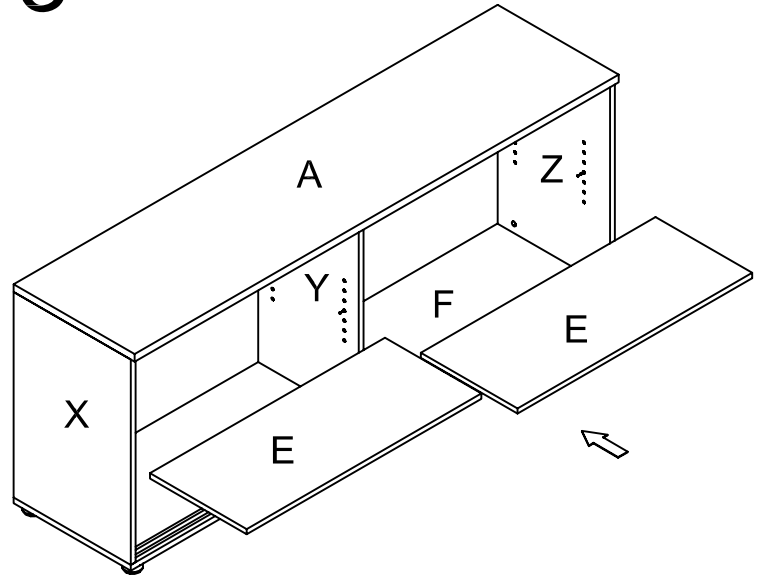
| | |
|---------------------------------|----------------------------|
| pin 6x38 1 20PCS | CAM 2 20PCS |
| Cap Cover 3 20PCS | Tab Metal 4 8PCS |
| T-FILES 5 2PCS | Screw 4x22 6 4PCS |
| CUSHION 28H x φ 52 7 8PCS | Screw 4x30 8 8PCS |
| LOCK 9 1PCS | Screw 3.5x18 10 2PCS |
| | |



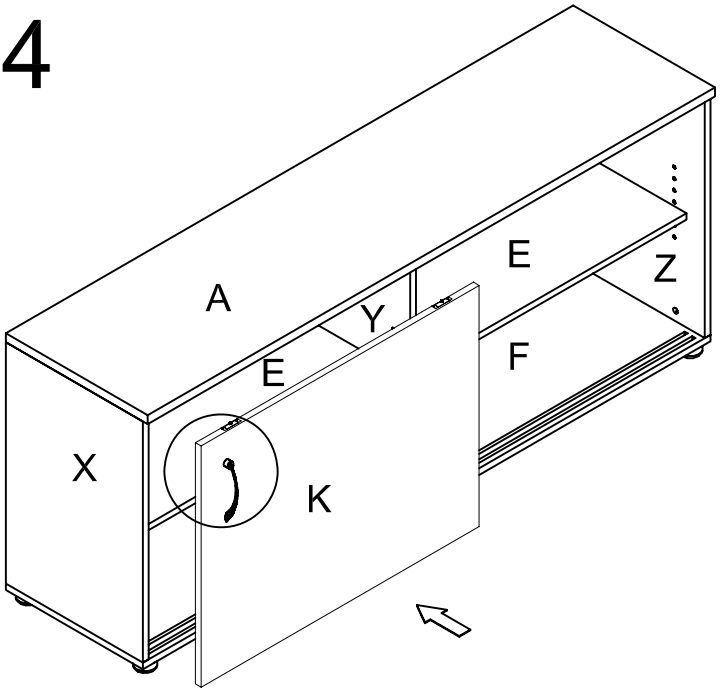
2



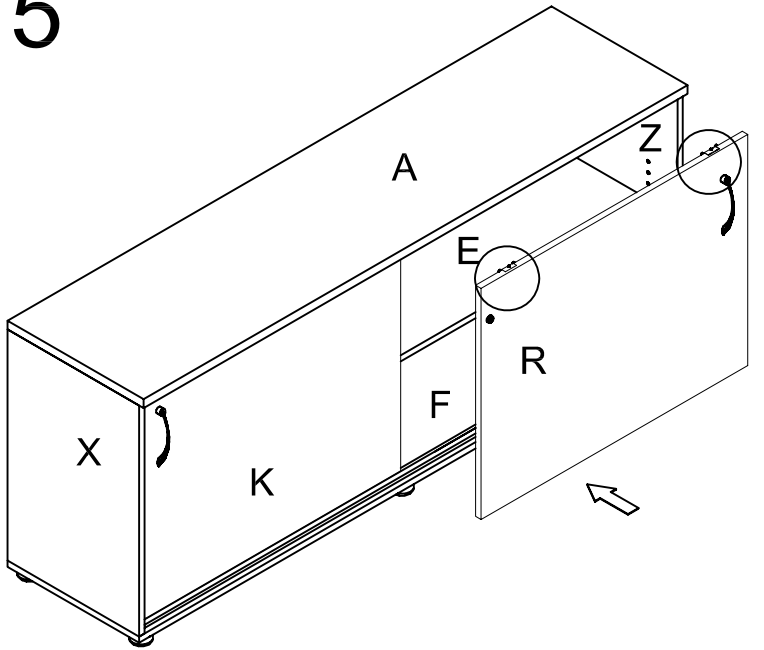
3



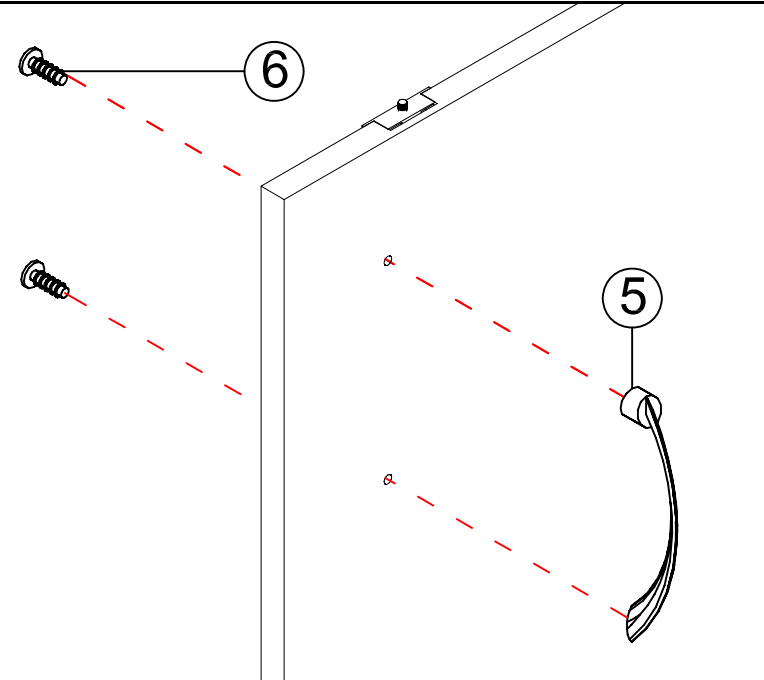
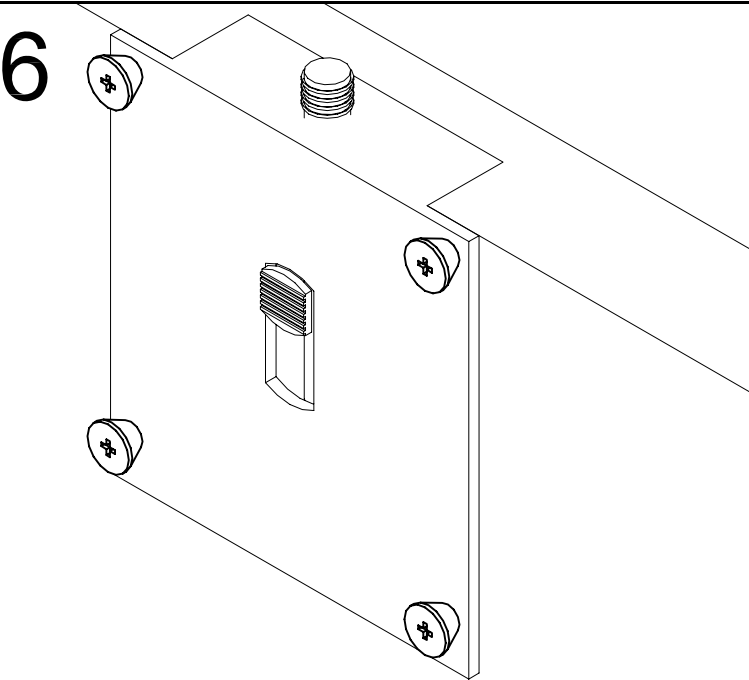
4



5

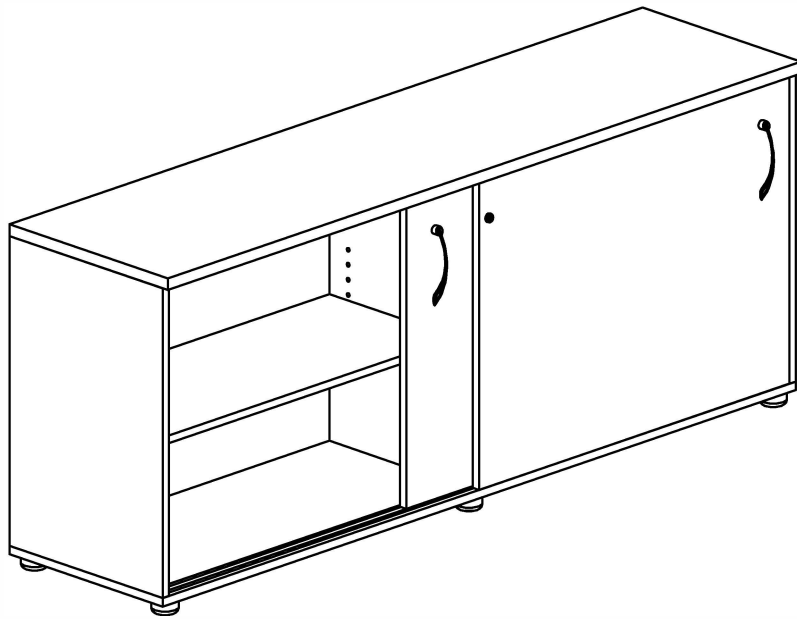


6

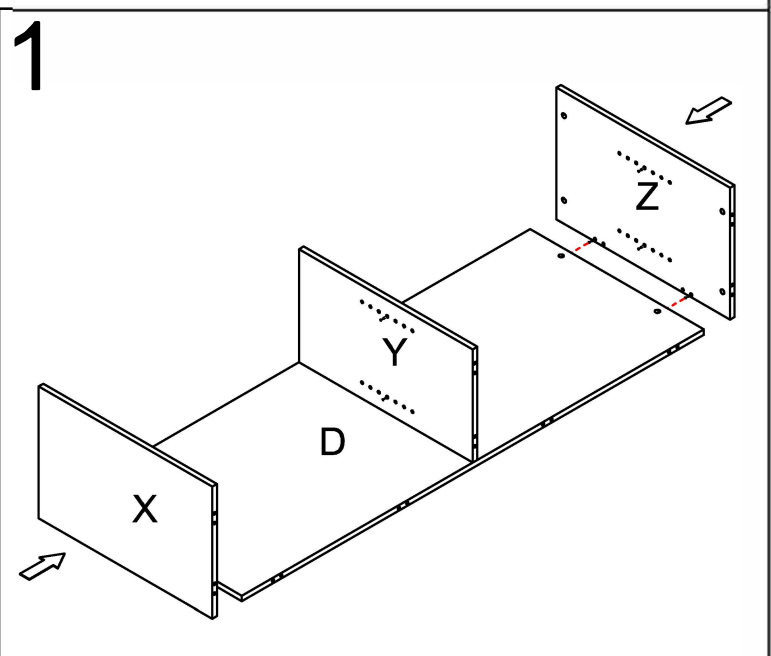
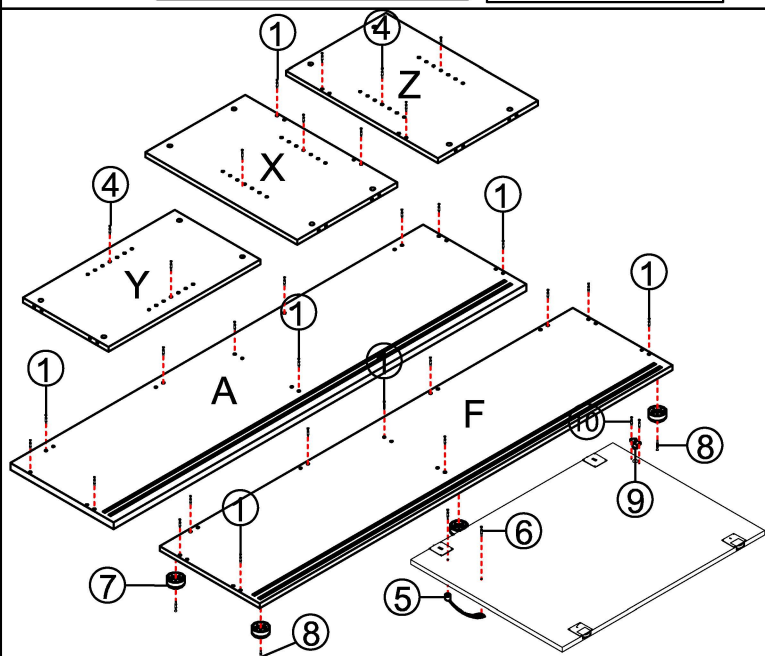
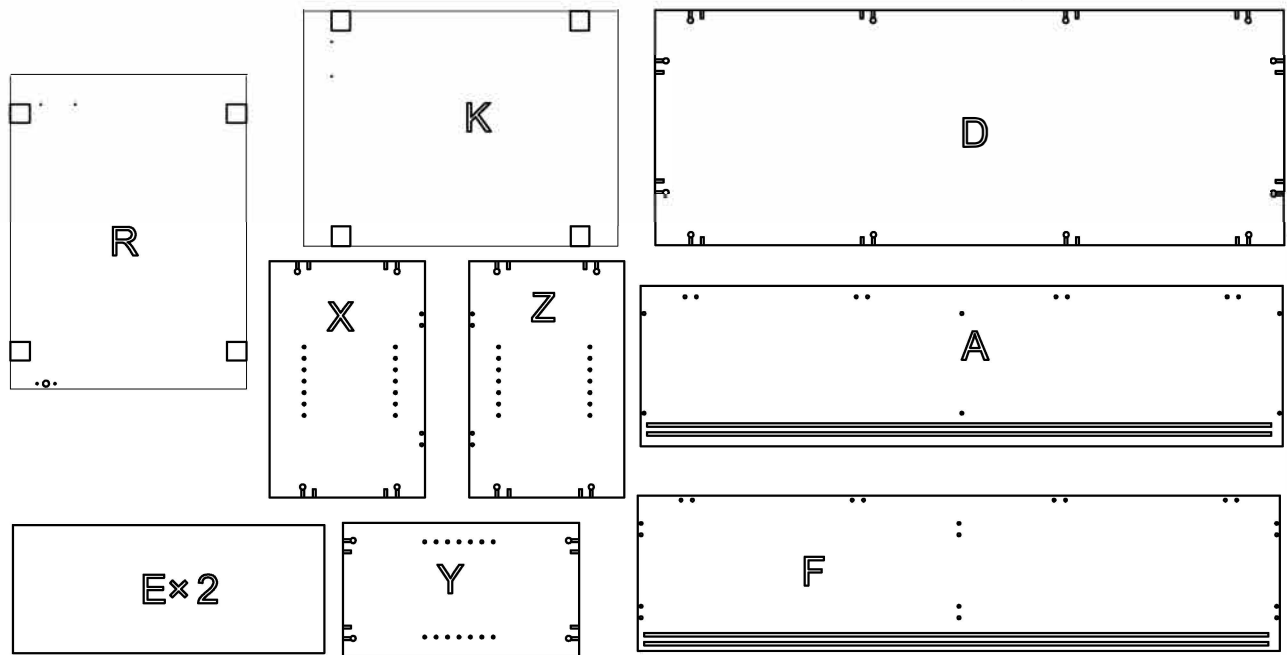


ASSEMBLY INSTRUCTIONS

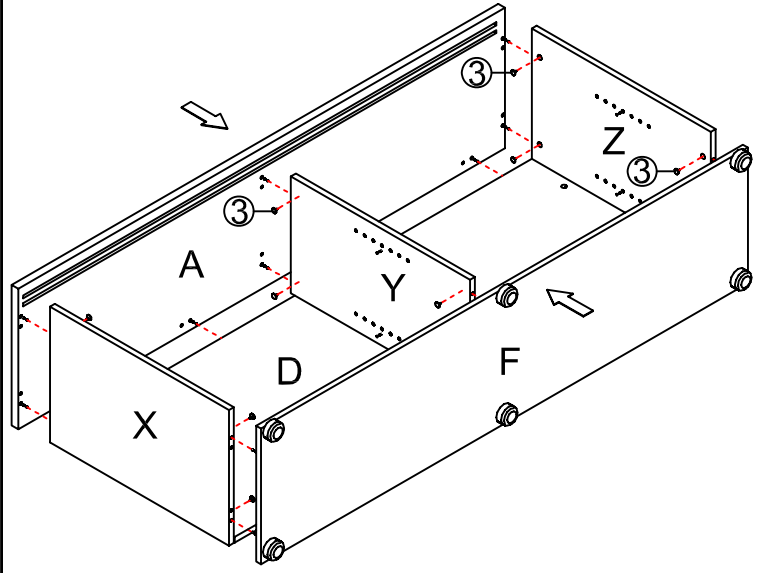
VCZ1845



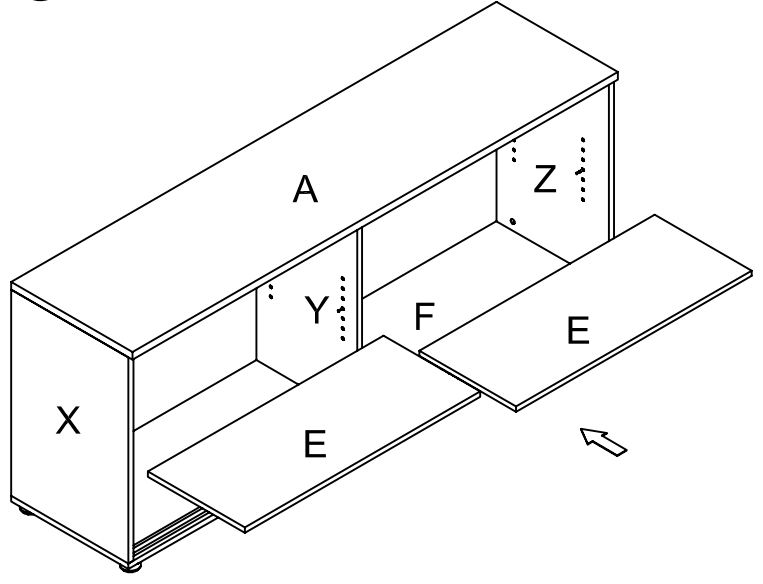
| | |
|-------------------------------------|-------------------------------------|
| <p>pin 6x36 1 24PCS</p> | <p>CAM 2 24PCS</p> |
| <p>Cam Cover 3 24PCS</p> | <p>Bolt M8x16 4 8PCS</p> |
| <p>T-Handle 5 2PCS</p> | <p>Screw 4x22 6 4PCS</p> |
| <p>GLASS 25H 4E2 7 6PCS</p> | <p>Screw 4x30 8 6PCS</p> |
| <p>LOCK 9 1PCS</p> | <p>Screw 3.5x13 10 2PCS</p> |
| | |



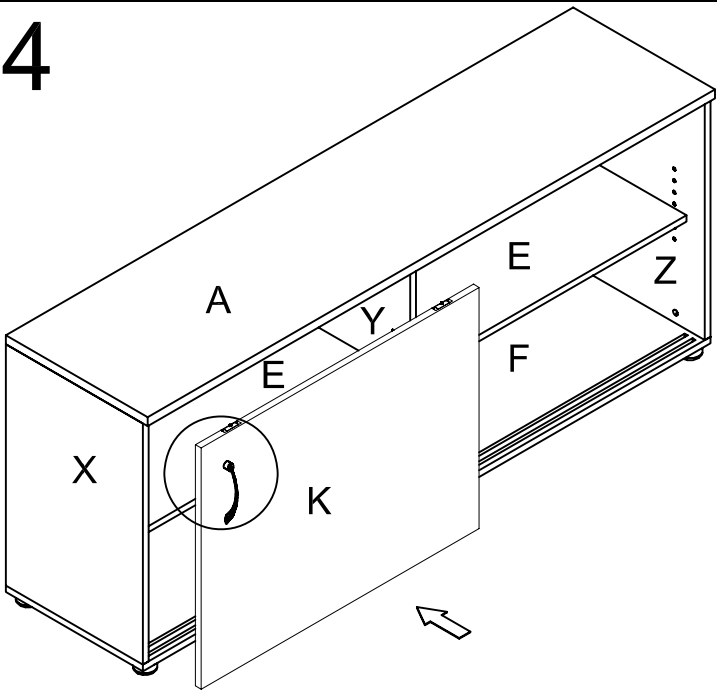
2



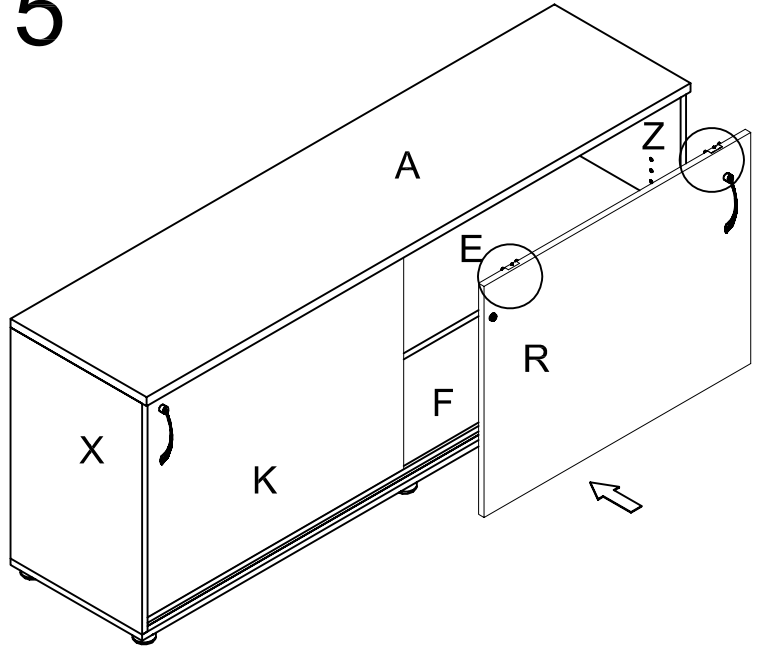
3



4



5



6

