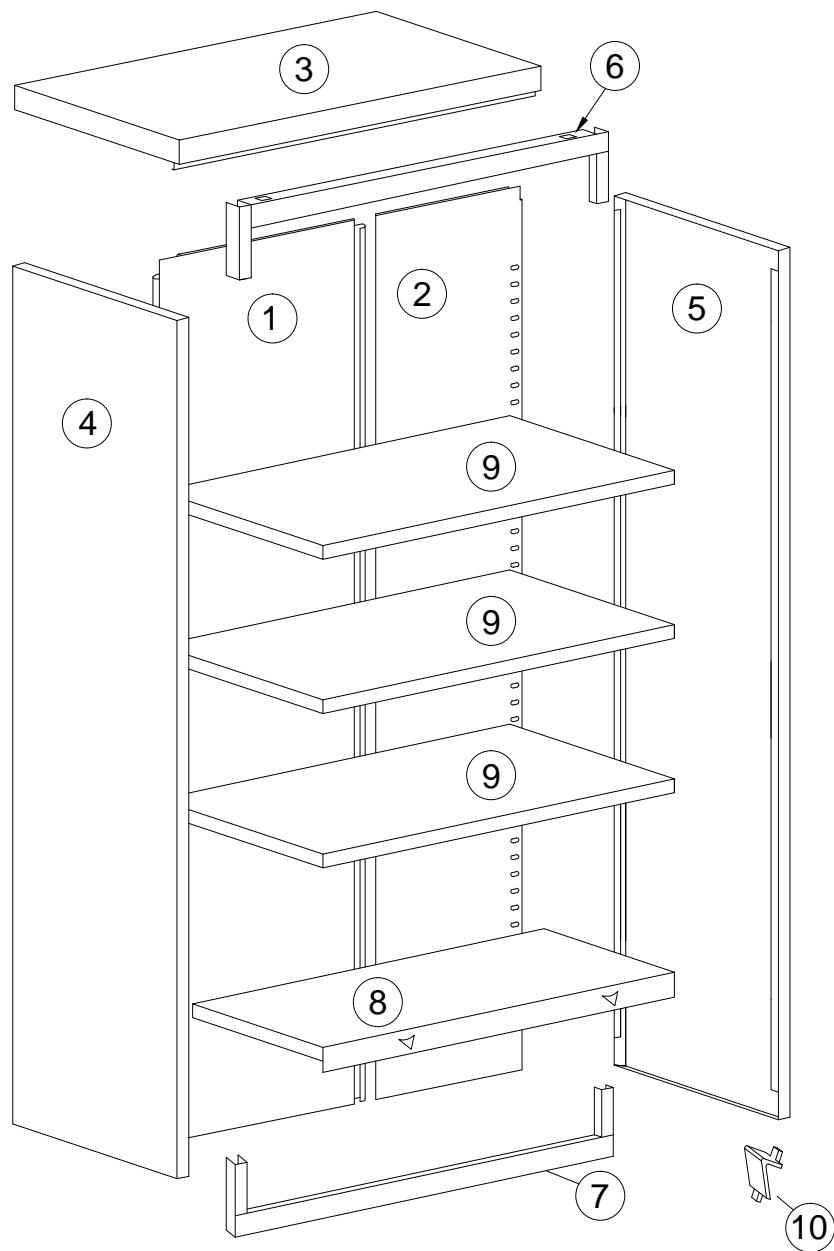
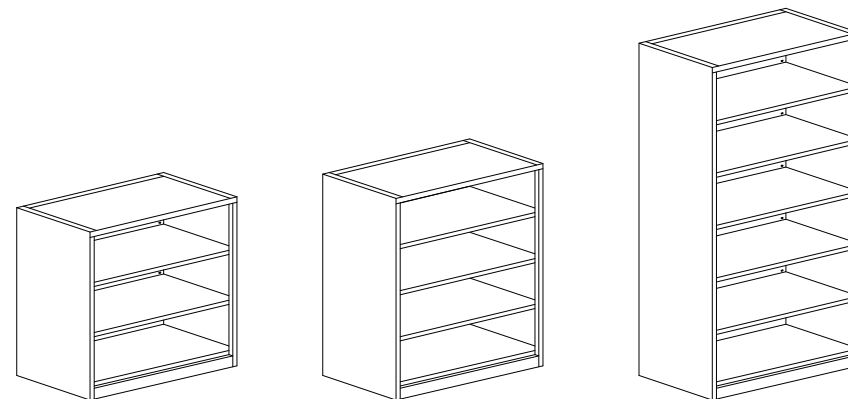


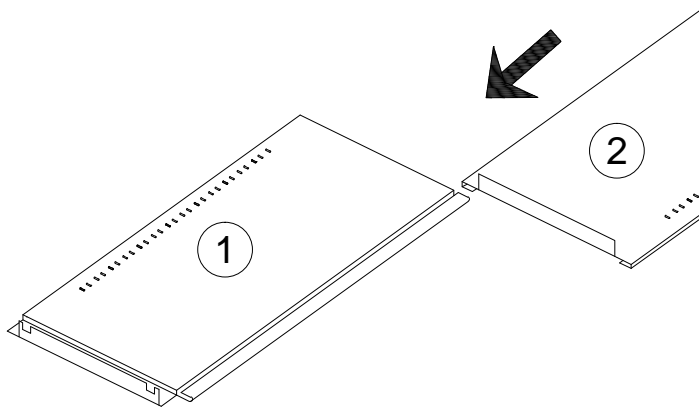
# BOOKCASE- Parts list & Assembly instructions



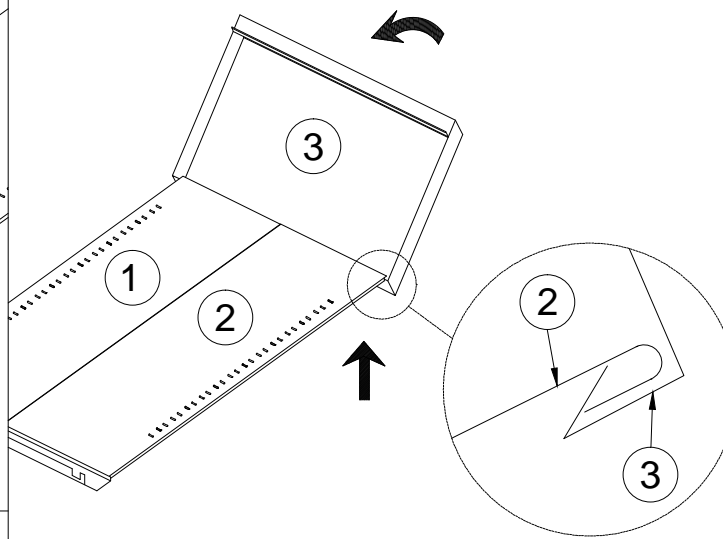
## ***PART LIST***

No.	COMPONENT	QUANTITY
01	LH BACK	01
02	RH BACK	01
03	TOP	01
04	LH SIDE	01
05	RH SIDE	01
06	'U' FRAME	01
07	KICK PLATE	01
08	BOTTOM	01
09	SHELF	02/03/05
10	SHELF SUPPORTS	08/12/20

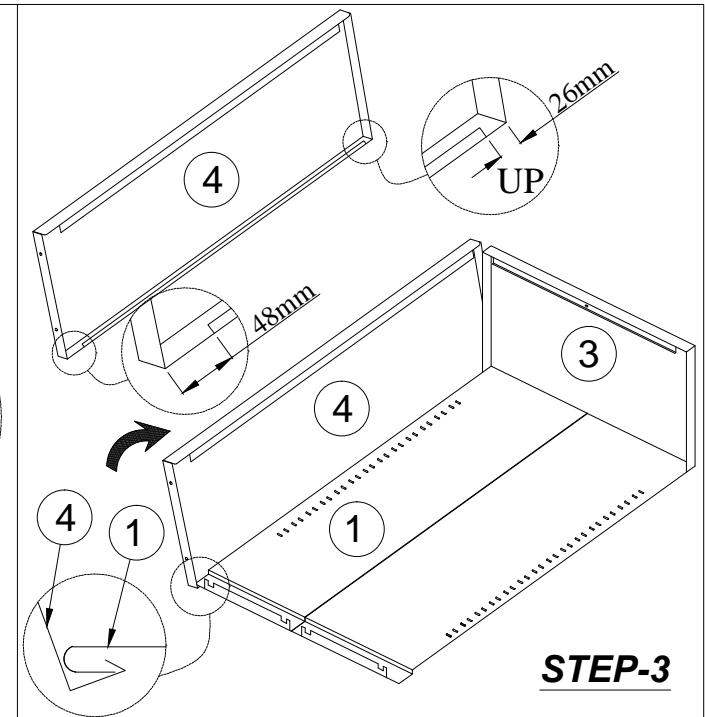




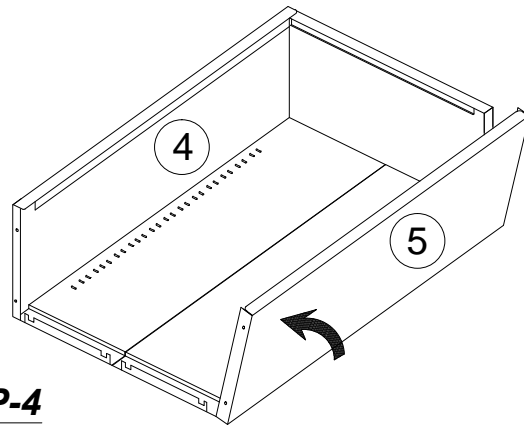
**STEP-1**



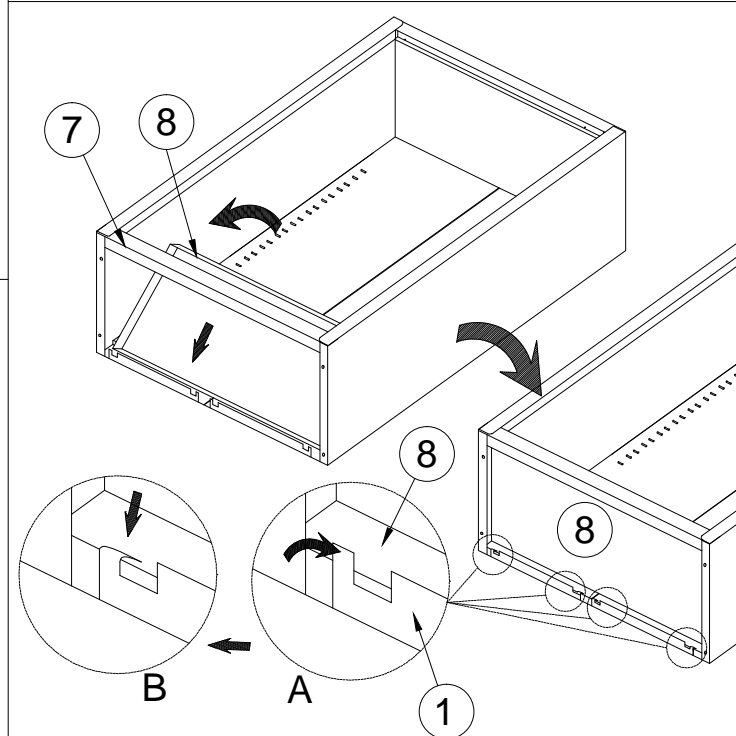
**STEP-2**



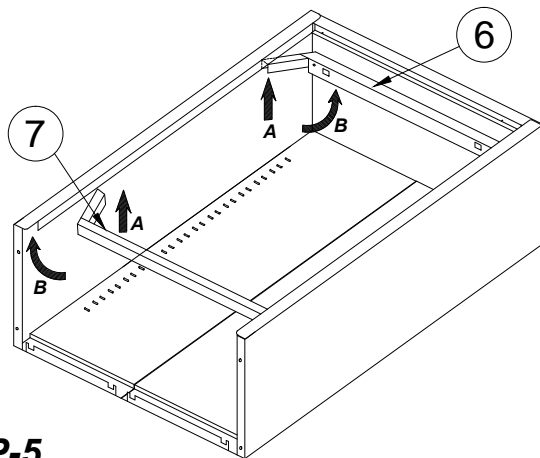
**STEP-3**



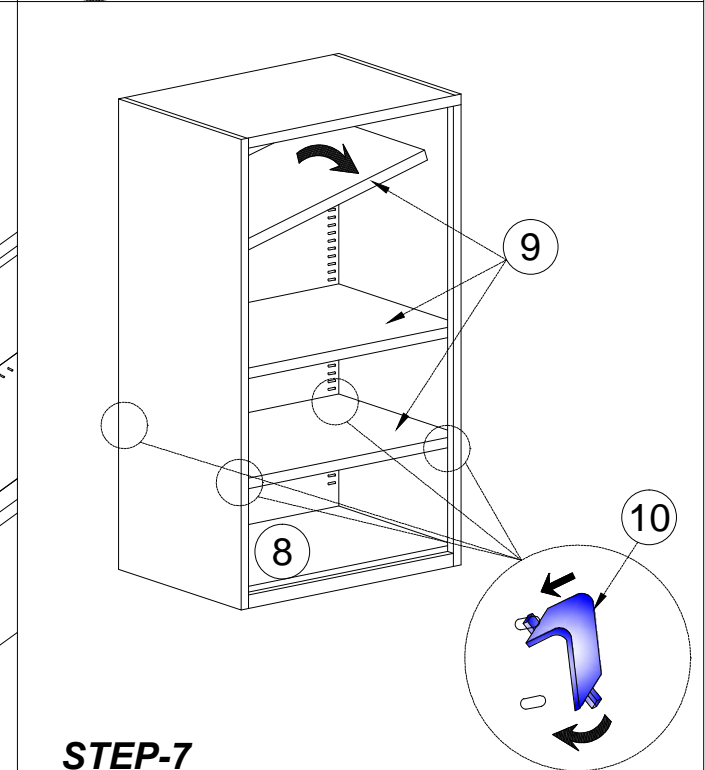
**STEP-4**



**STEP-6**



**STEP-5**



**STEP-7**