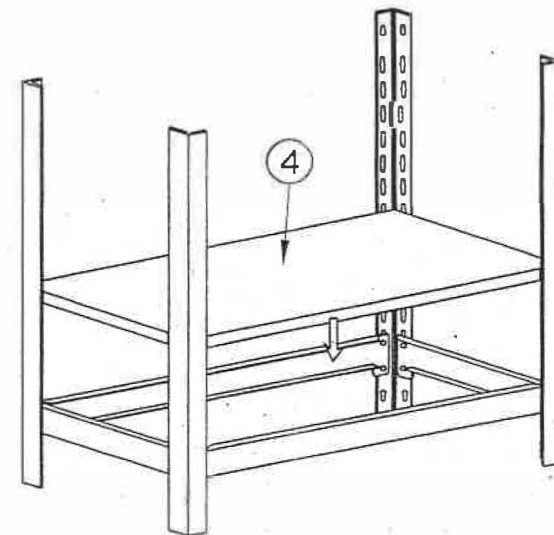


STEP 1

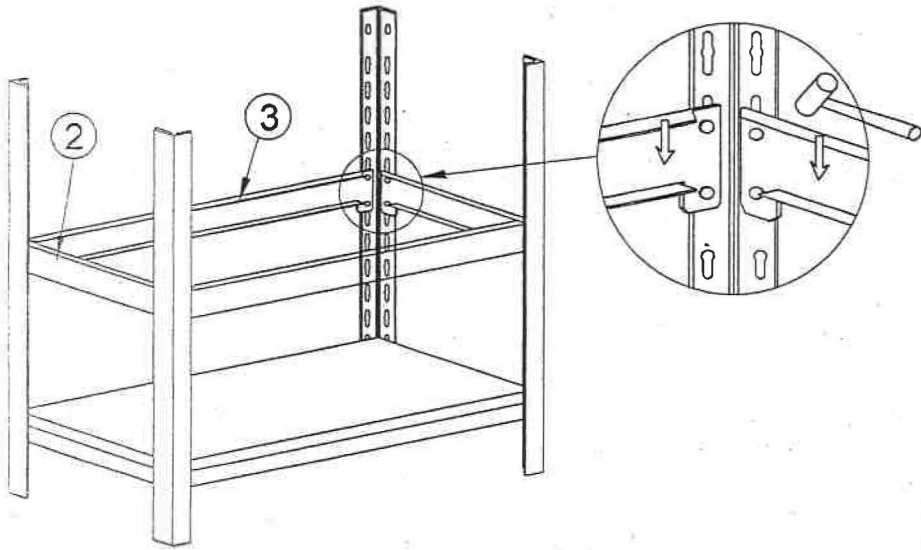
<u>PART LIST</u>		
<u>Sr. No.</u>	<u>COMPONENT</u>	<u>QUANTITY</u>
01	POST	08
02	SHORT BEAM	10
03	LONG BEAM	10
04	SHELF	05
05	POST COUPLER	04

**Tools required: Rubber hammer

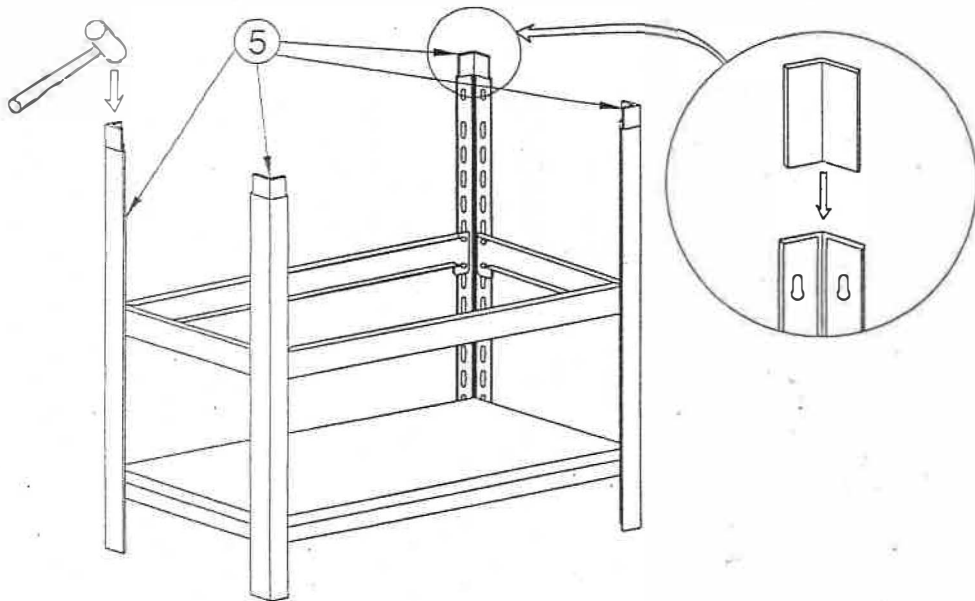


STEP 2

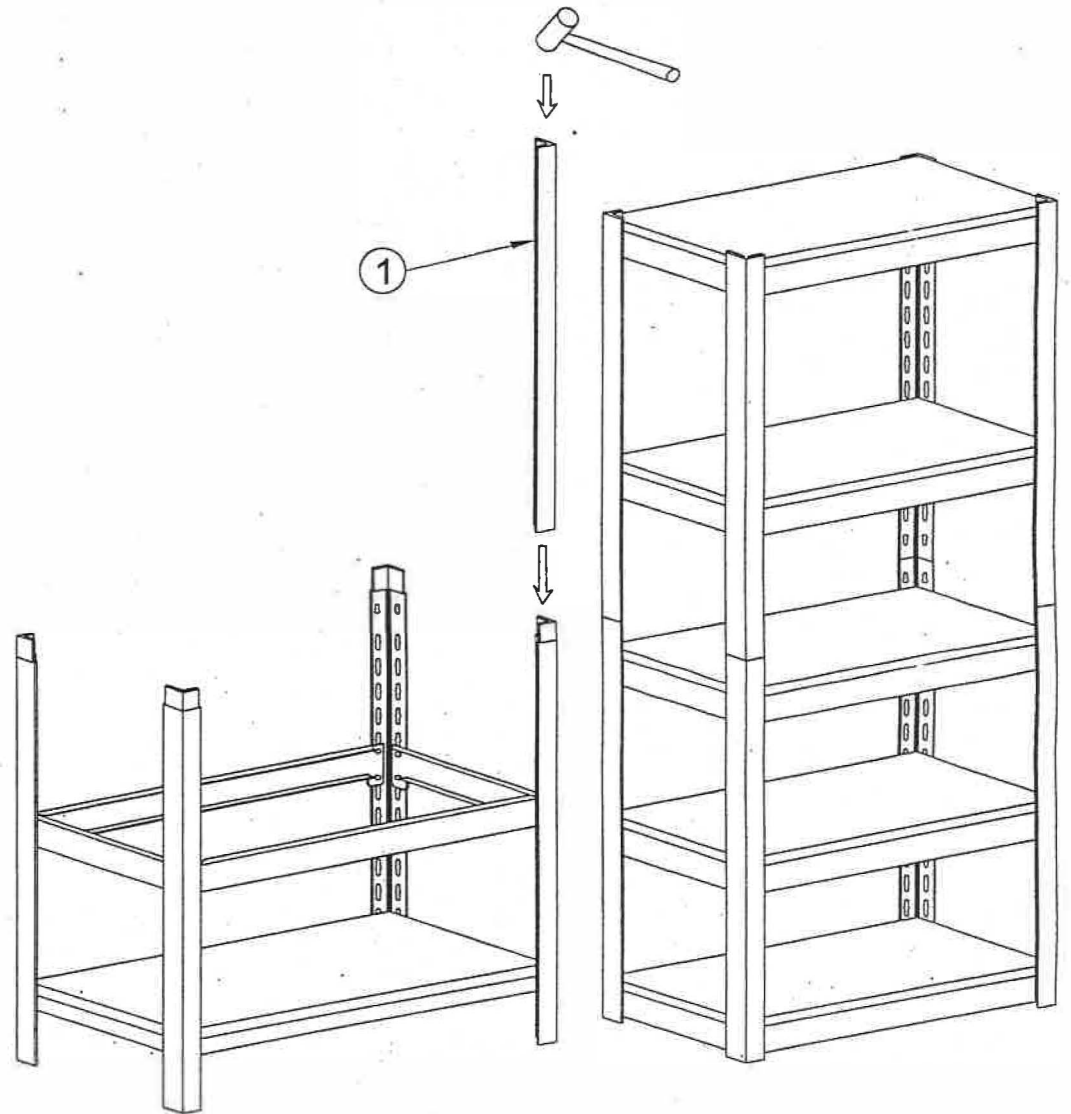
ASSEMBLY INSTRUCTION OF BOLTLESS SHELVING



STEP 3



STEP 4



STEP 5