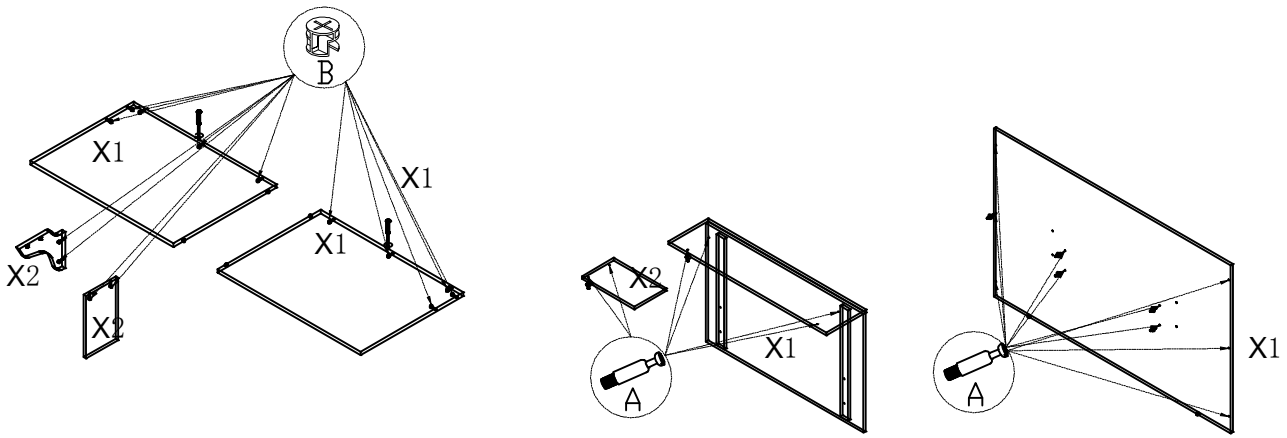
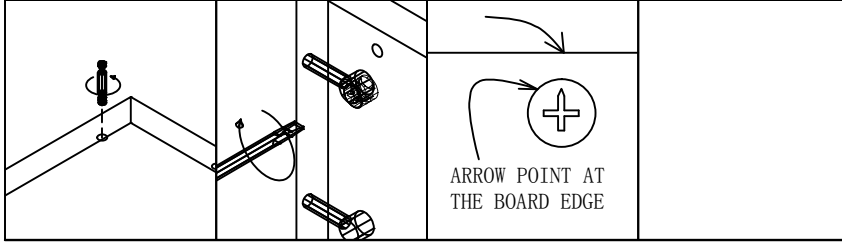




1



Connecting Parts



Ⓐ		X18
Ⓑ		X18

2

