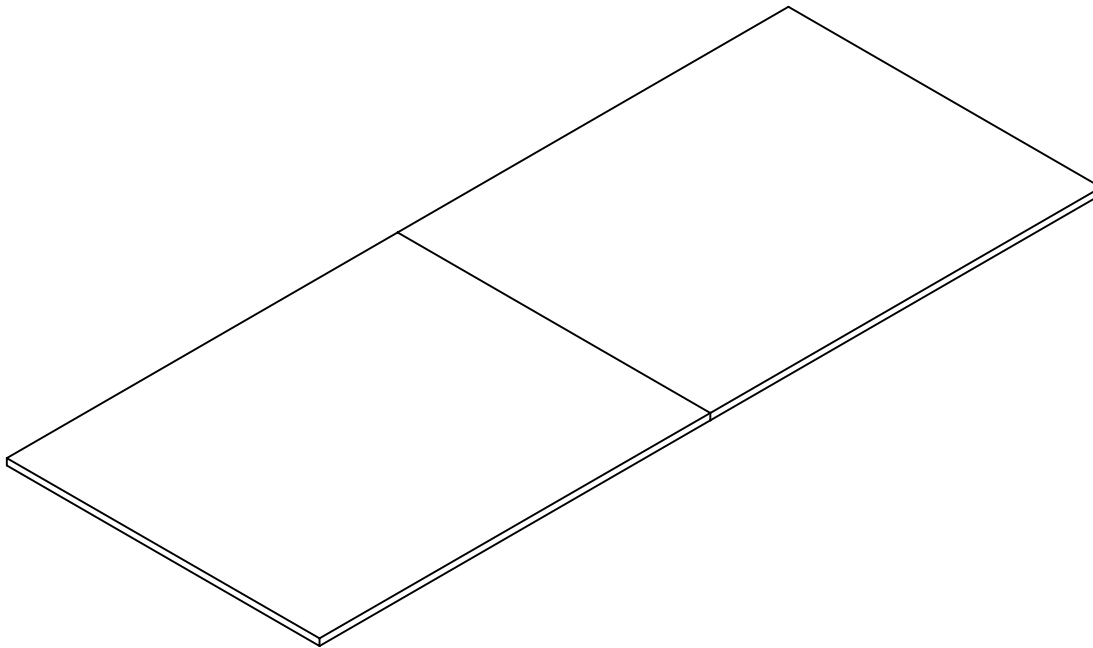


Assembly Instructions

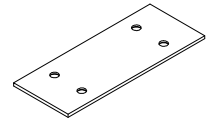
MODEL NO: RT3612 RT3270 RT4012



EPIC OFFICE
furniture.com.au



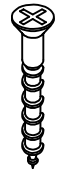
Metal Plate 100×40



1

2PCS

Wood Screw 4×16

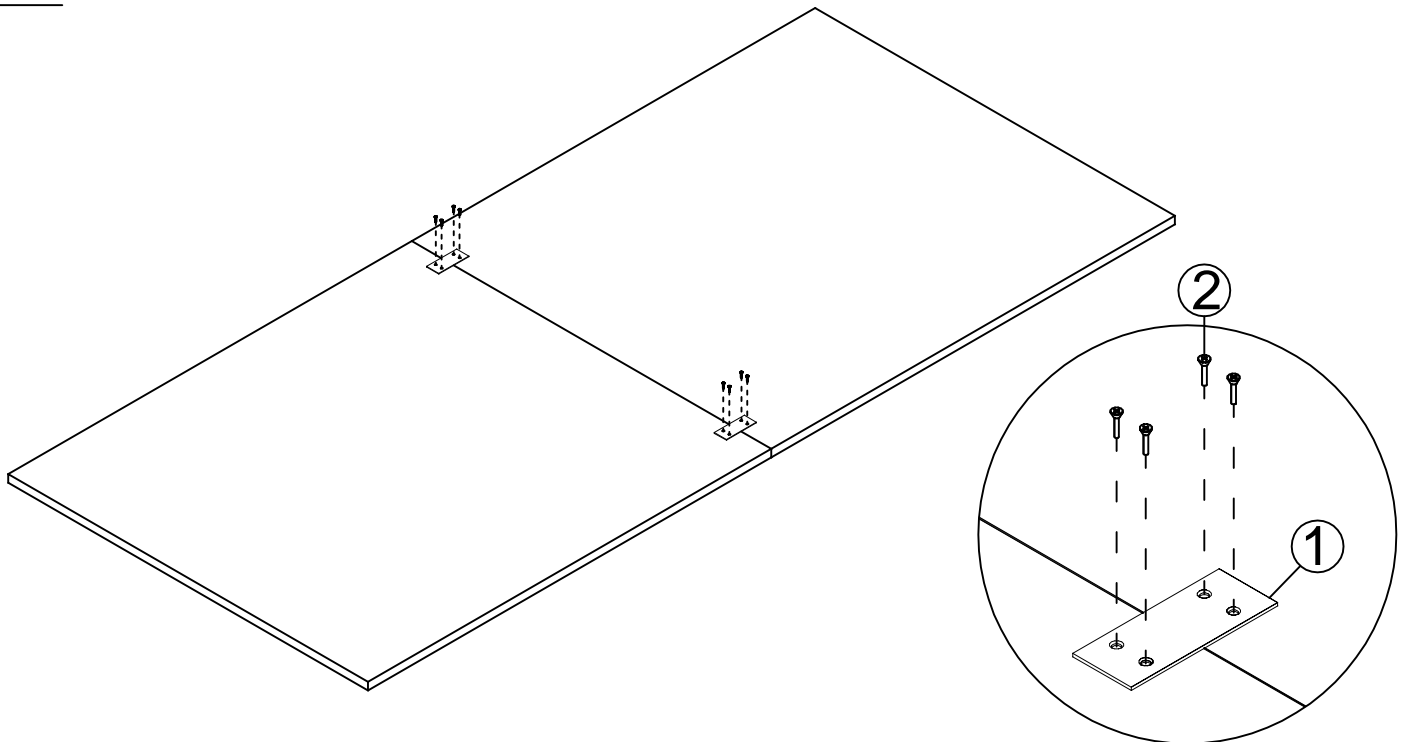


2

8PCS

A

STEP1



IMPORTANT NOTE:

- Place all laminated parts on a clean and smooth surface such as a rug or carpet to avoid the parts from being scratched.
- Check to be sure that you have all parts and hardware.
- Remove all wrapping materials, including staples & packing straps before you start to assemble.
- Don't tighten all screws/bolts until all completely assembled.
- Keep all hardware parts out of reach of children

