

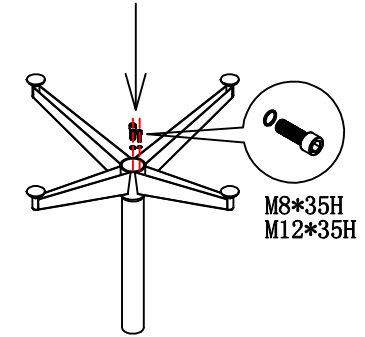
# Assembly Instructions

MODEL NO: TFR9+BTFR9



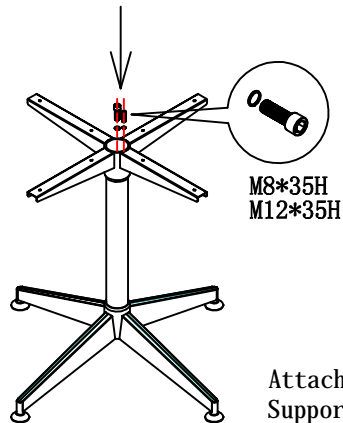
	M12*35H 2pcs		M8*35H 2pcs
	Ø12*2H 2pcs		MB 1pcs
	M5*20H 8pcs		Ø16 1pcs
	M12 1pcs		

## STEP1



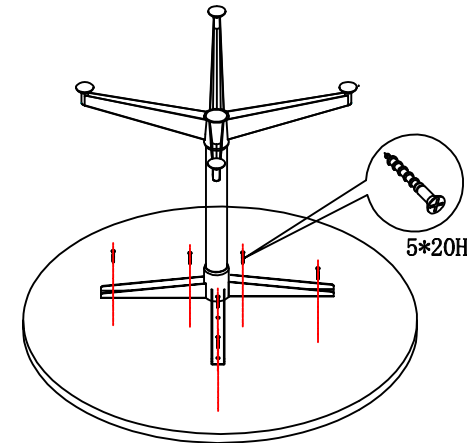
Attach The 4 Star Base To The Stem Using MB & M12 Bolts

## STEP2



Attach The 4 Star Table Top Support Using MB & M12 Bolts

## STEP3



## IMPORTANT NOTE:

Place all laminated parts on a clean and smooth surface such as a rug or carpet to avoid the parts from being scratched.

Check to be sure that you have all parts and hardware.

Remove all wrapping materials, including staples & packing straps before you start to assemble.

Don't tighten all screws/bolts until all completely assembled.

Keep all hardware parts out of reach of children

