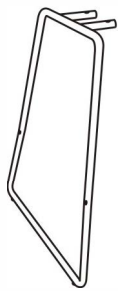




A×1



B×2



C×2



D×2



E×4

=35mm Silver Bolts



F×4

=30mm Black Bolts

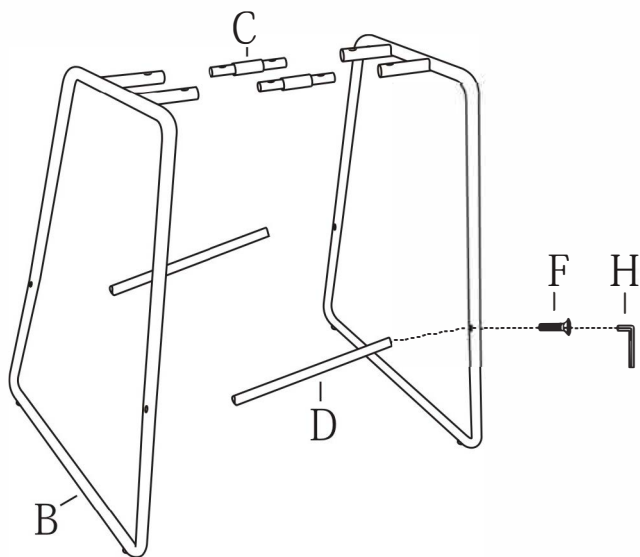


G×1

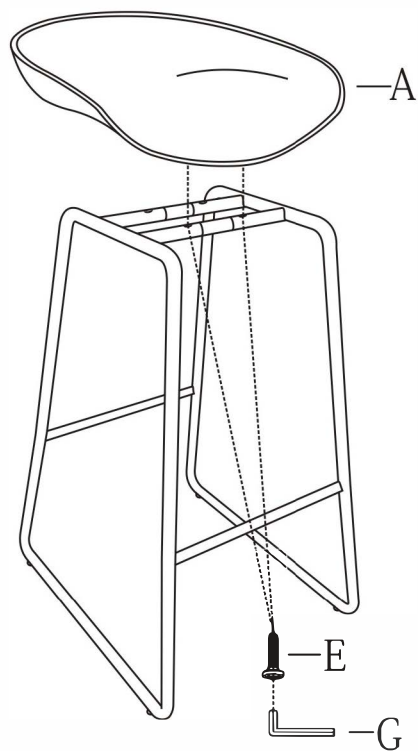


H×1

①



②



③

