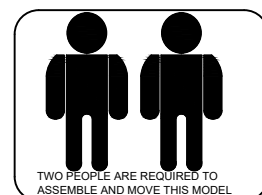
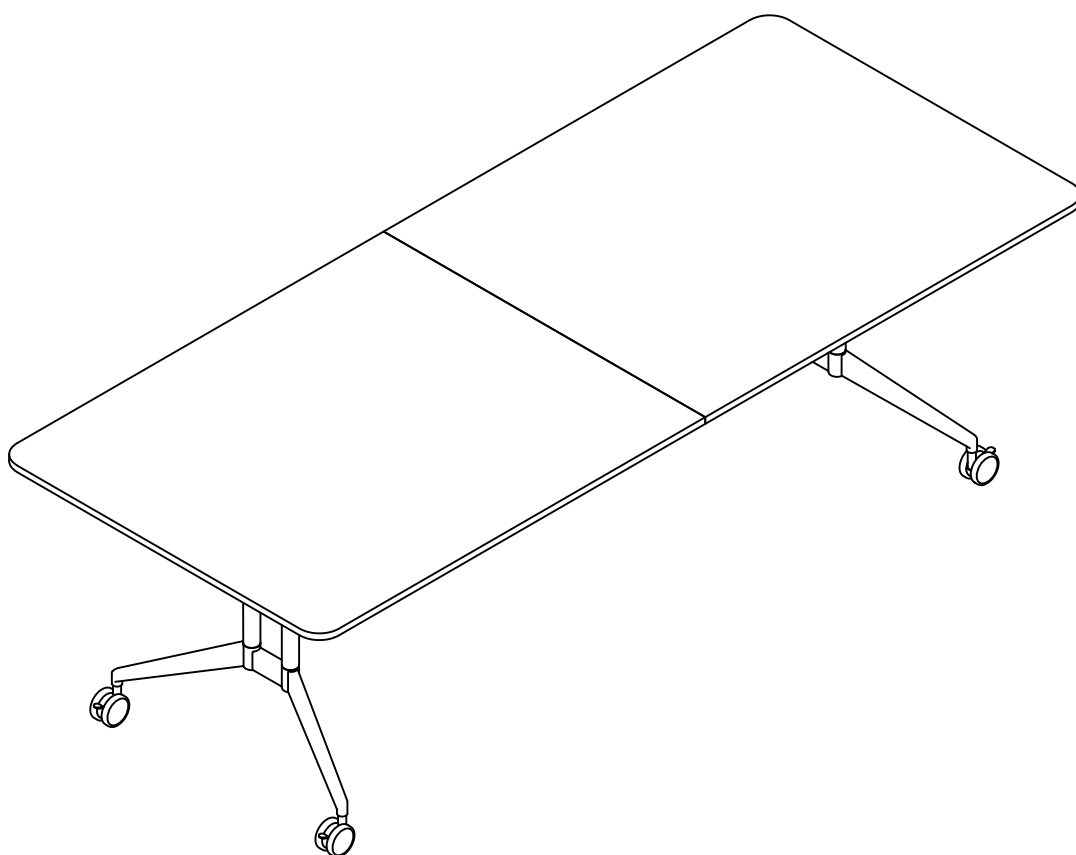







THE MEETING TABLE

Assembly Instruction

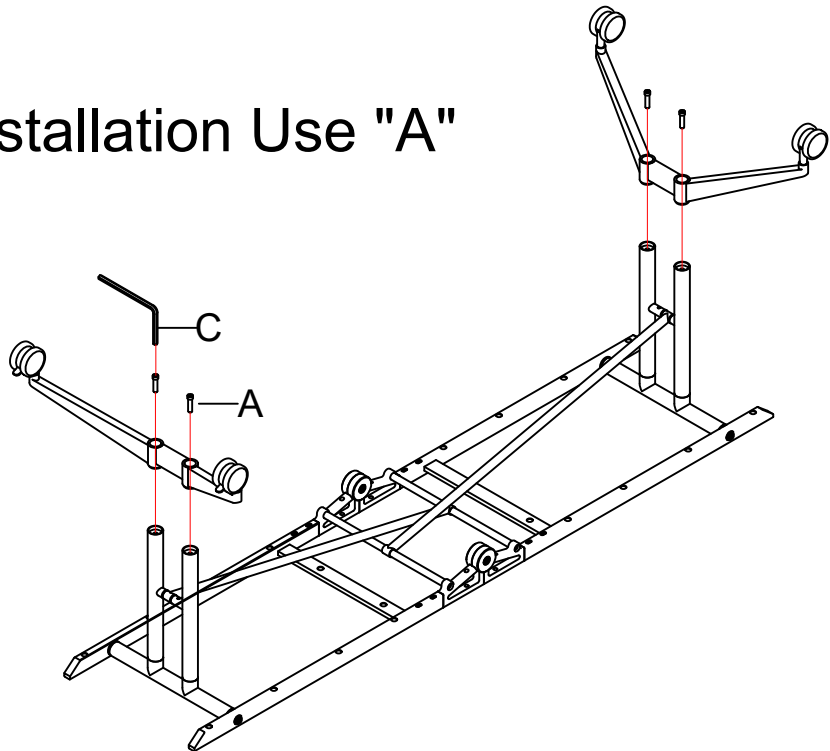


Assembly Hardware

S/N	PICTURE	NAME	QTY	UNIT	REMARK
A		Screw φ8*40	4	PCS	
B		Screw φ4*16	20	PCS	
C		6MM	1	PCS	
D		Connector	1	PCS	
		Screw φ4*25	8		
E		Screw φ4*30	4	PCS	

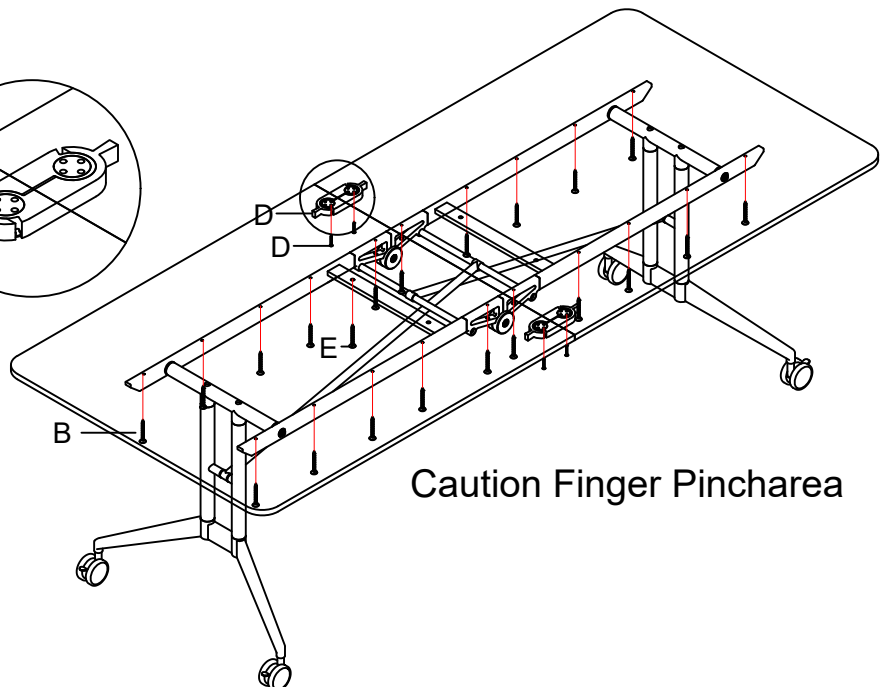
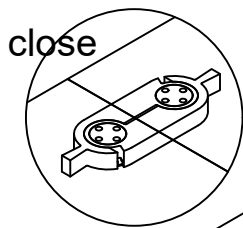
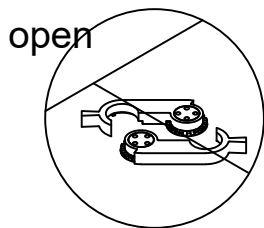
1. Complete leg installation Use "A"

A(4X)
C(1X)



2. Complete table-board installation Use "B" and "D"

B(20X)



Caution Finger Pincharea