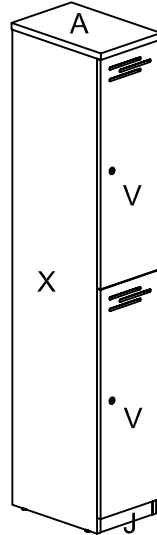
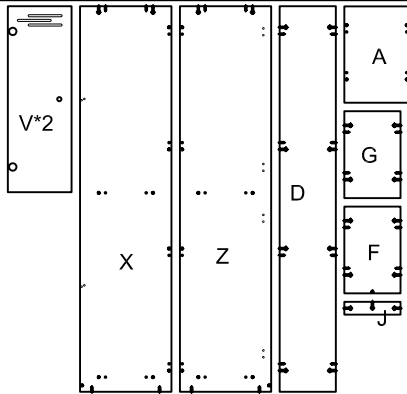


Assembly Instructions

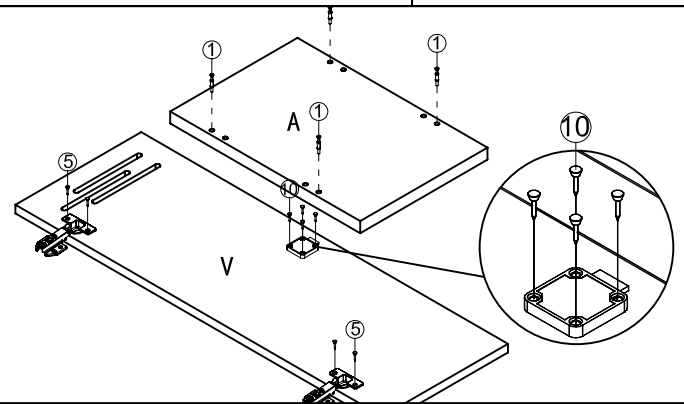
MODEL NO:WRML-305/2



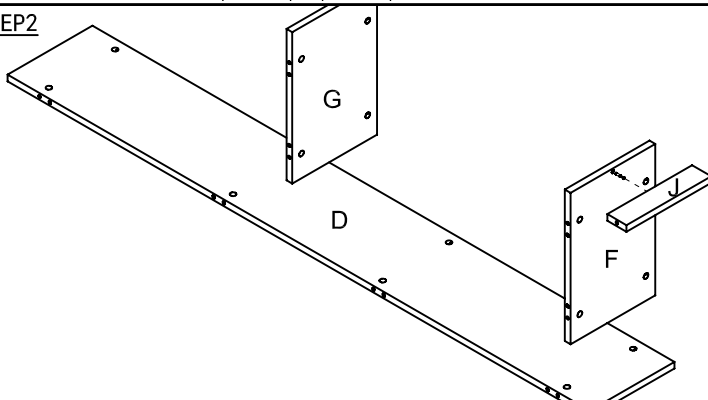
Pin 6-05 23PCS 1	ADJ. Feet #18*5H 4PCS 6
Cam 2PCS 2	Lock 2PCS 7
Cam Cover 2PCS 3	Lock Catcher 2PCS 8
Hinge (full-overlay) 4PCS 4	Wood Screw 3.5*13 2PCS 9
Wood Screw 4*16 24PCS 5	Wood Screw 4*20 6PCS 10



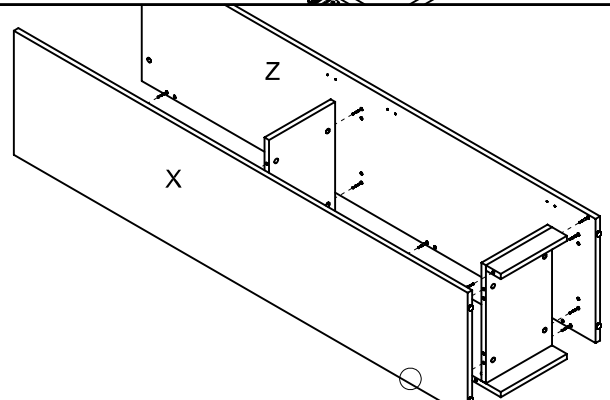
STEP1



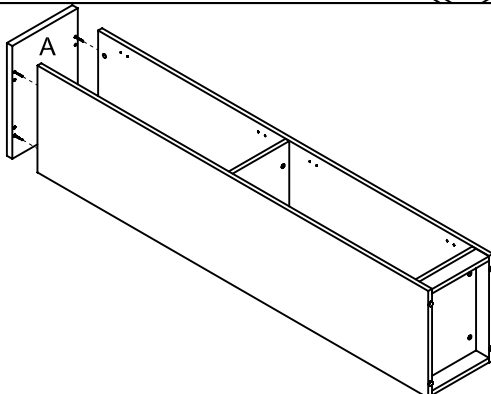
STEP2



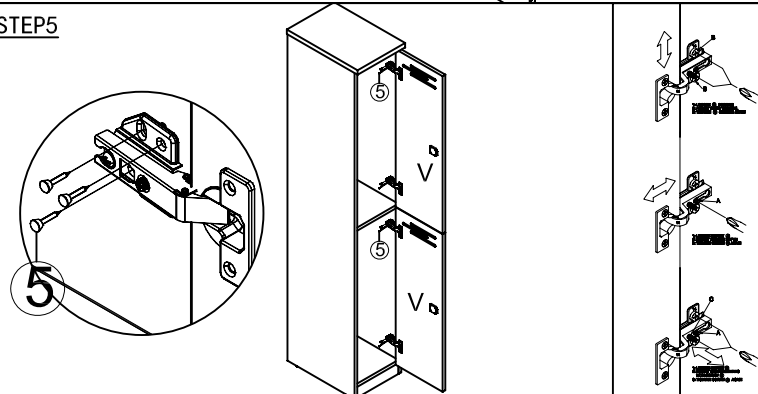
STEP3



STEP4



STEP5



IMPORTANT NOTE:

- Place all laminated parts on a clean and smooth surface such as a rug or carpet to avoid the parts from being scratched.
- Check to be sure that you have all parts and hardware.
- Remove all wrapping materials, including staples & packing straps before you start to assemble.
- Don't tighten all screws/bolts until all completely assembled.
- Keep all hardware parts out of reach of children

