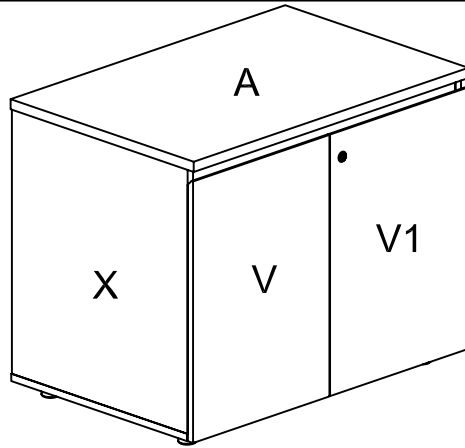


# Assembly Instructions

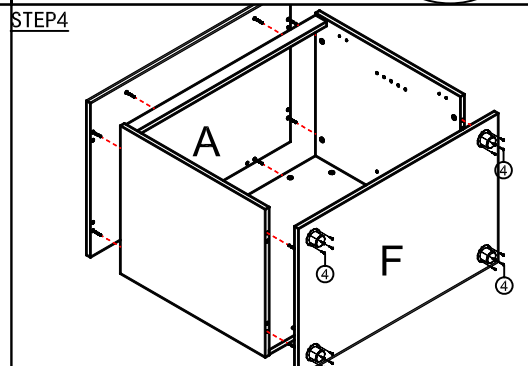
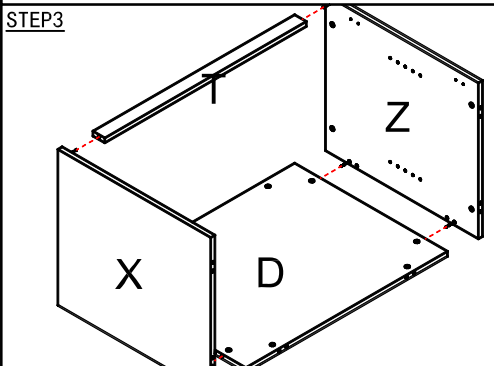
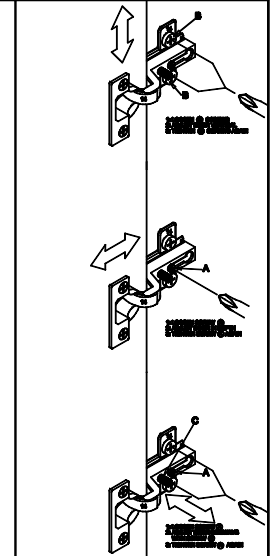
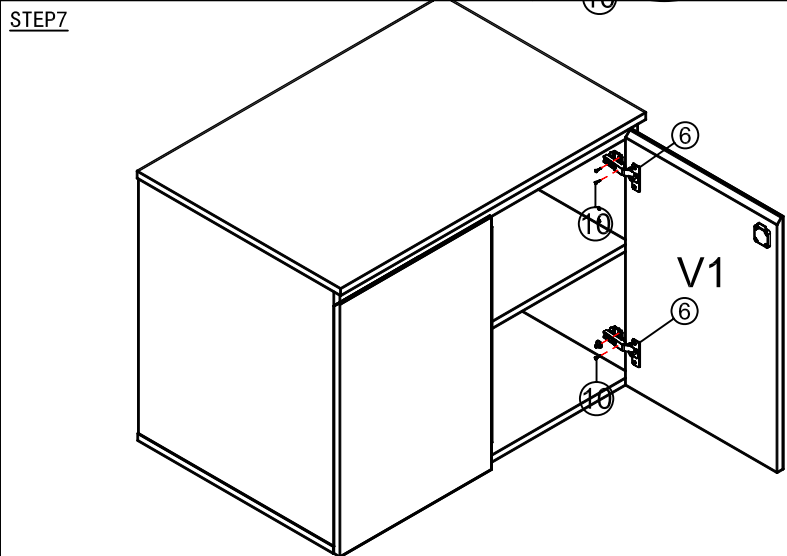
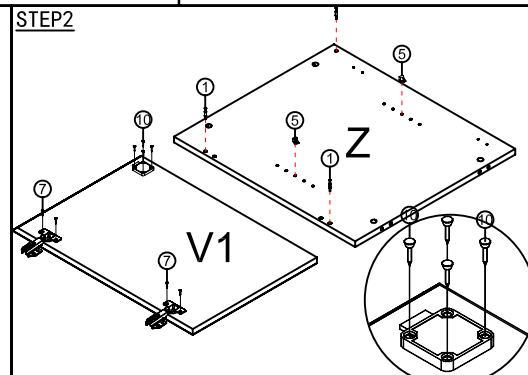
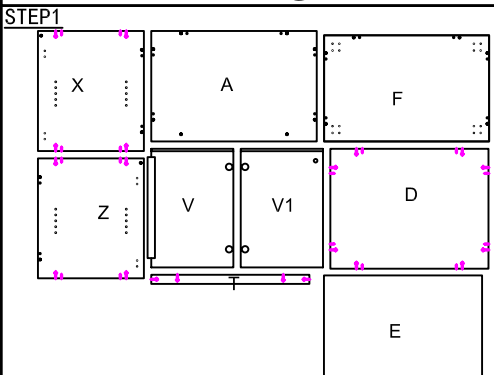
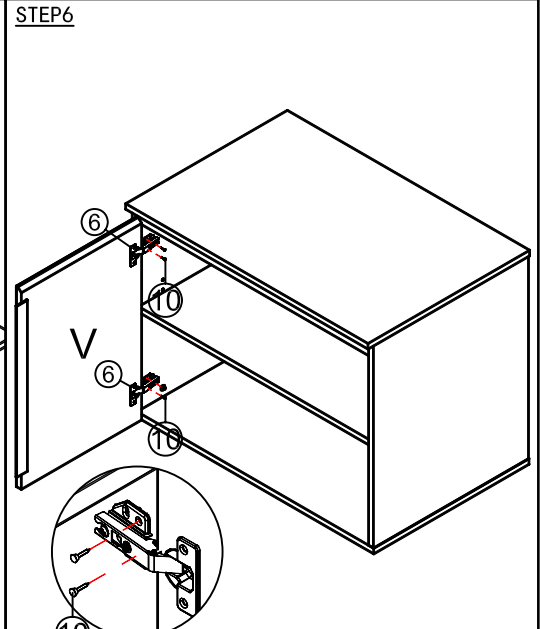
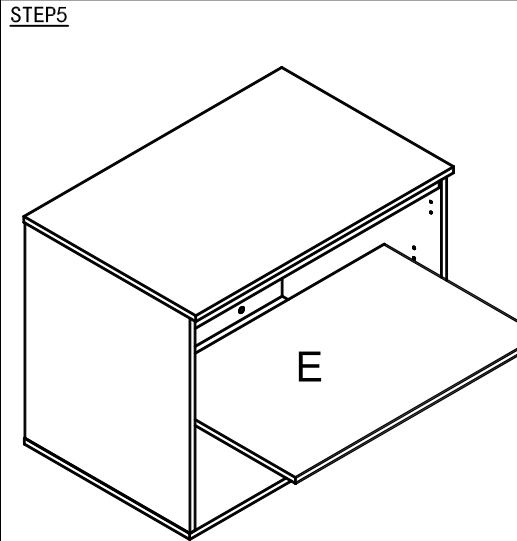
MODEL NO: ISFD96

# Assembly Instructions

MODEL NO: ISFD96



Pin 6x35 20PCS 1	Shelf Pin 4PCS 5	Lock 1PCS 9
Cam 20PCS 2	Hinge (full-overlay) 4PCS 6	Wood Screw 4x20 4PCS 10
Cam Cover 20PCS 3	Wood Screw 4x16 24PCS 7	ADJ. Feet ø42x35H 4PCS 11
Wood Screw 3.5x13 18PCS 4	Lock Catcher 1PCS 8	



**IMPORTANT NOTE:**

- Place all laminated parts on a clean and smooth surface such as a rug or carpet to avoid the parts from being scratched.
- Check to be sure that you have all parts and hardware.
- Remove all wrapping materials, including staples & packing straps before you start to assemble.
- Don't tighten all screws/bolts until all completely assembled.
- Keep all hardware parts out of reach of children



**IMPORTANT NOTE:**

- Place all laminated parts on a clean and smooth surface such as a rug or carpet to avoid the parts from being scratched.
- Check to be sure that you have all parts and hardware.
- Remove all wrapping materials, including staples & packing straps before you start to assemble.
- Don't tighten all screws/bolts until all completely assembled.
- Keep all hardware parts out of reach of children

