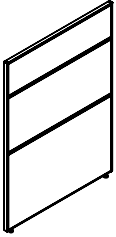
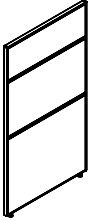
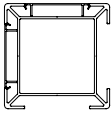
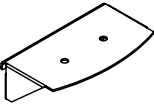


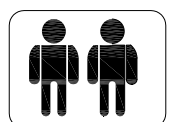


Part List

| SEQ | PICTURE | MODEL | QTY | Remarks |
|-----|---|----------------------|-----|---------|
| 1 |  | IS1515 BL/GR | 2x | |
| 2 |  | IS715 BL/GR | 2x | |
| 3 |  | L 1500H Joining Pole | 3x | |
| 4 | | | | |
| 5 |  | cantelevers | 10x | |
| 6 |  | 4x16mm screw | 40x | |
| 7 |  | T1515-75 | 1x | |

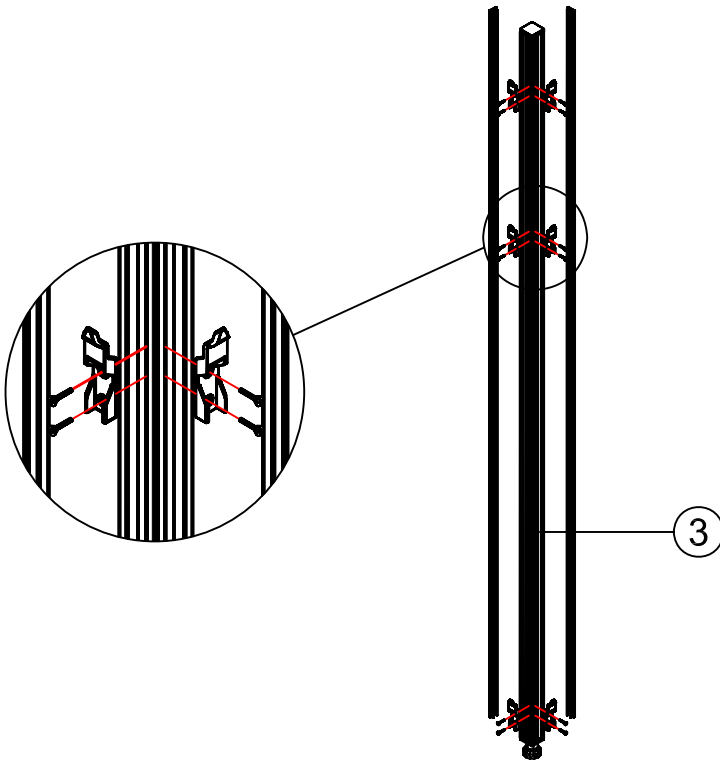
IMPORTANT NOTE:

- Place all parts on a clean and smooth surface such as a rug or carpet to avoid the parts from being scratched.
- Check to be sure that you have all parts and hardware.
- Remove all wrapping materials, including staples & packing straps before you start to assemble.
- Don't tighten all screws/bolts until all completely assembled.
- Keep all hardware parts out of reach of children



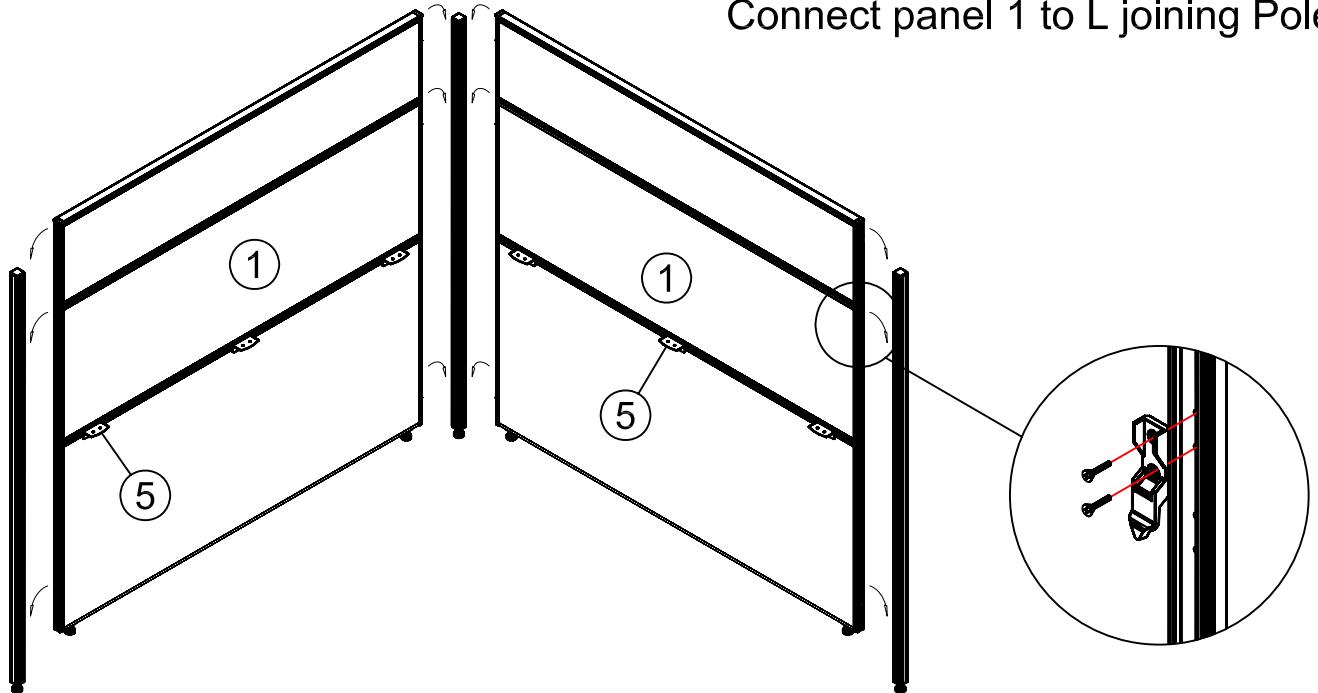
About 8 Mins
Assembly Time

STEP1



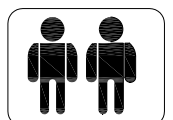
STEP2

Connect panel 1 to L joining Pole.



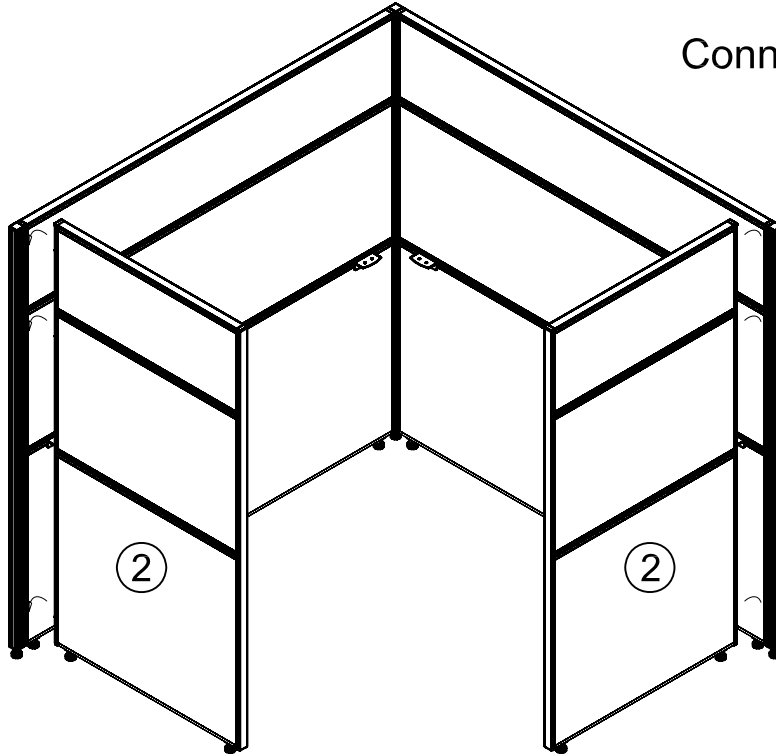
IMPORTANT NOTE:

- Place all parts on a clean and smooth surface such as a rug or carpet to avoid the parts from being scratched.
- Check to be sure that you have all parts and hardware.
- Remove all wrapping materials, including staples & packing straps before you start to assemble.
- Don't tighten all screws/bolts until all completely assembled.
- Keep all hardware parts out of reach of children



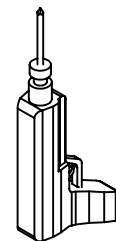
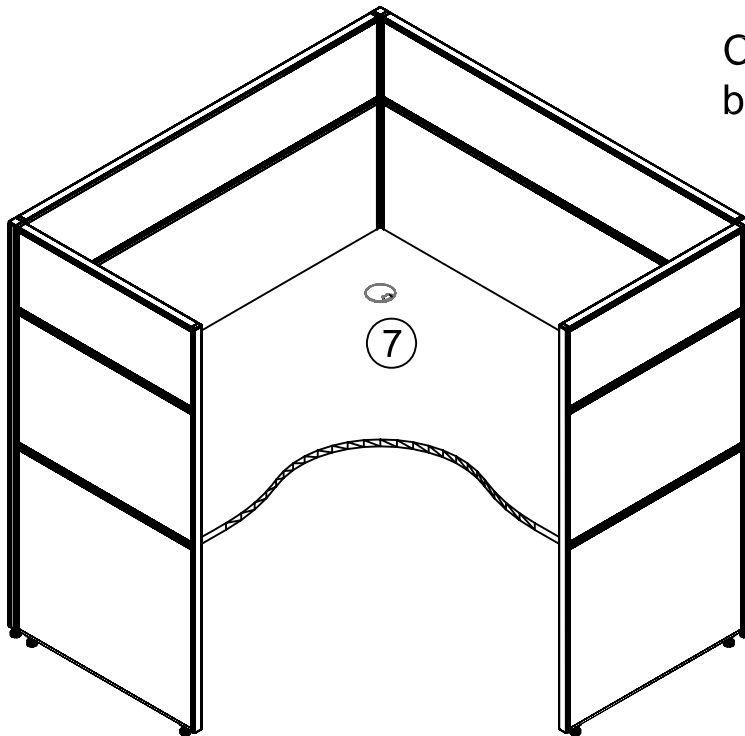
STEP3

Connect panel 2 to L joining Pole.



STEP4

Connect top 6 to panels using brackets.



Notes: Use power drill to connect desk top to brackets

IMPORTANT NOTE:

- Place all parts on a clean and smooth surface such as a rug or carpet to avoid the parts from being scratched.
- Check to be sure that you have all parts and hardware.
- Remove all wrapping materials, including staples & packing straps before you start to assemble.
- Don't tighten all screws/bolts until all completely assembled.
- Keep all hardware parts out of reach of children

