



9525 COMBINATION LOCK INSTRUCTION MANUAL

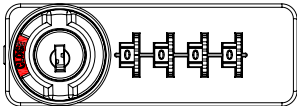
1. Lock & Unlock

1. ☹️ = CLOSE 

↓ ↓

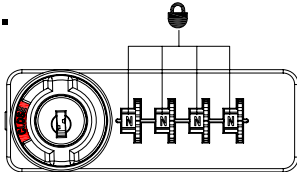
5. 😊 = OPEN 

1.

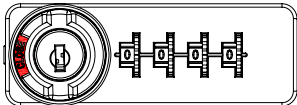


Turn the knob to close position

2.

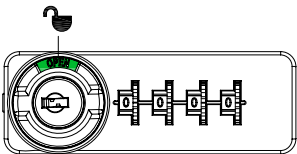


3.




input correct password to open

4.



Turn the knob to OPEN position

5.




OPEN


! Door open. But at OPEN position, you can not change password

9525 COMBINATION LOCK INSTRUCTION MANUAL

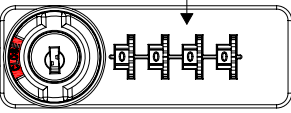
2. Password changing

6.  = 0|0|0|0

↓ ↓

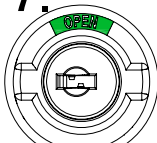
10.  = 1|6|8|8

6. 0|0|0|0




Default password: 0-0-0-0

7.



Front side

1.PERSONAL
2.PUBLIC
3.CODE RESET

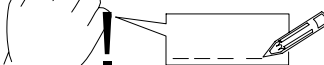
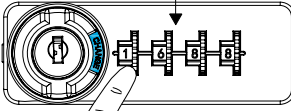


Back side

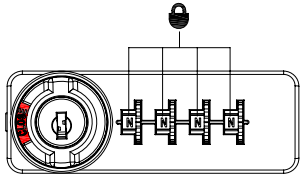
Turn knob to "OPEN" position, and back side button to 2 PUBLIC mode

8. 1|6|8|8

Turn the knob to CHANGE position



9.



10.

1|6|8|8 = ✓

! change your password

9525 COMBINATION LOCK INSTRUCTION MANUAL

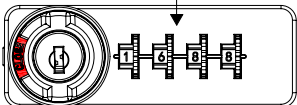
3. Password changing at private mode

11. ☹️ = 1 | 6 | 8 | 8

↓ ↓

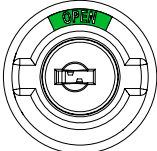
15. 😊 = 8 | 8 | 8 | 8

11. 1 | 6 | 8 | 8



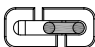
Current password: 1-6-8-8

12.



Front side
Turn knob to "OPEN" position,
and back side button to 2 PUBLIC
mode

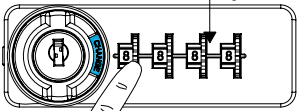
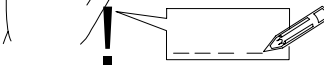
1.PERSONAL
2.PUBLIC
3.CODE RESET



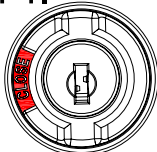
Back side

13. 8 | 8 | 8 | 8

Turn the knob to CHANGE position

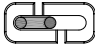



14.



Front side

1.PERSONAL
2.PUBLIC
3.CODE RESET



Back side

Turn knob to "OPEN" position, and back
side button to 1 PERSONAL mode

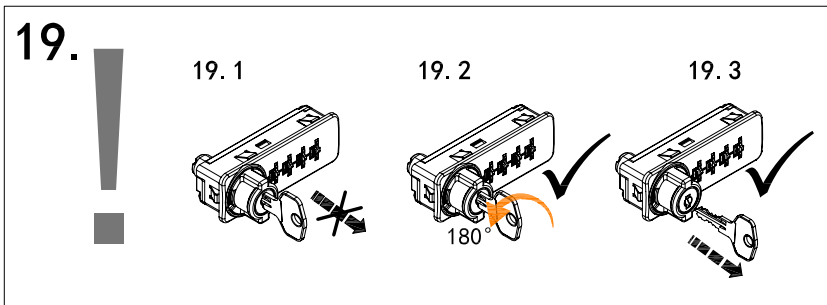
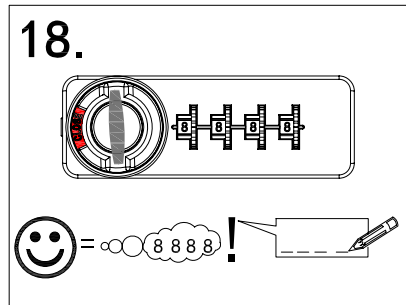
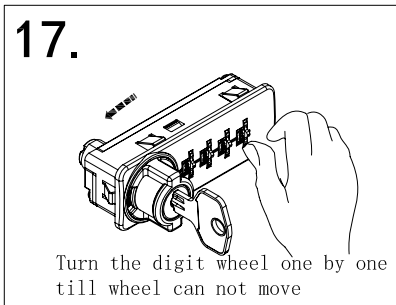
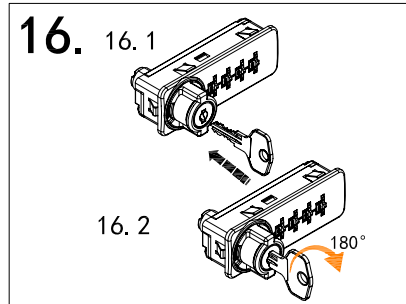
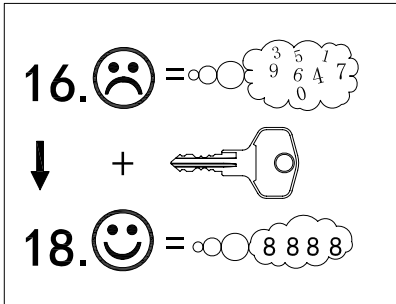
15.

8 | 8 | 8 | 8 = ✓

! Password can not be changed

9525 COMBINATION LOCK INSTRUCTION MANUAL

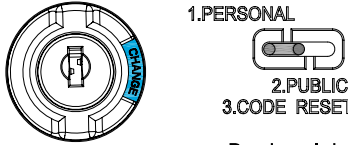
4. Password finding by emergency key



9525 COMBINATION LOCK INSTRUCTION MANUAL

5. Password finding by emergency bar


20.

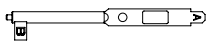



1. PERSONAL
2. PUBLIC
3. CODE RESET

Front side Back side

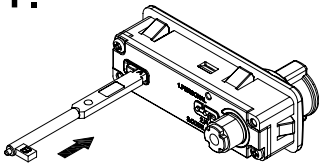
! at PERSONAL mode, password can't be found by emergency key

21. ☹️ = 

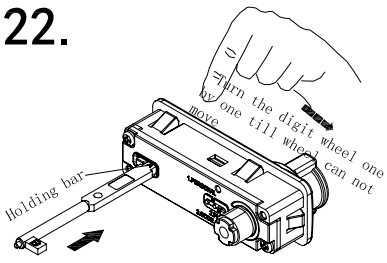
↓ + 

24. 😊 = 

21.



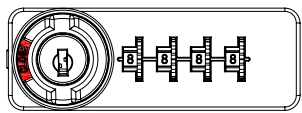
22.


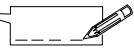


Turn the digit wheel one by one till wheel can not move

Holding bar

23.



😊 =  ! 

24.

