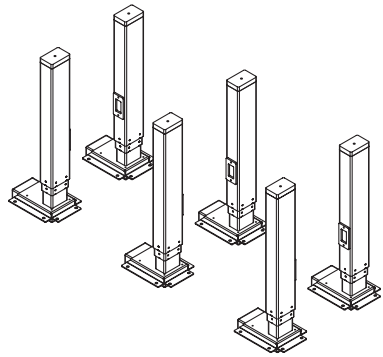


Agile+ Triple 120° Workstation

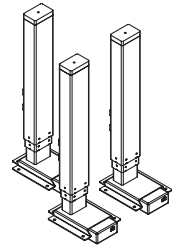
Assembly Instructions

Agile+ Triple 120° Workstation

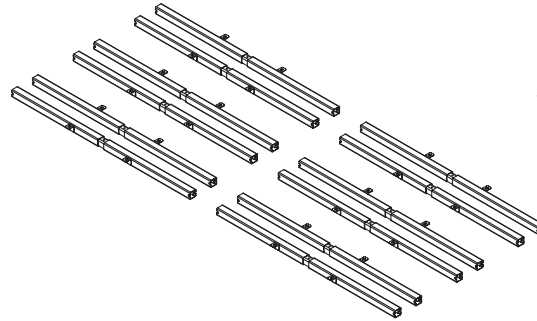
Components List



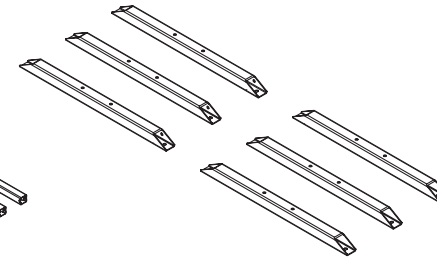
6 x Eng Leg



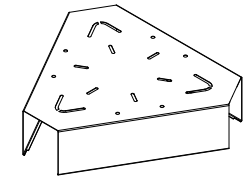
3 x Corner Leg



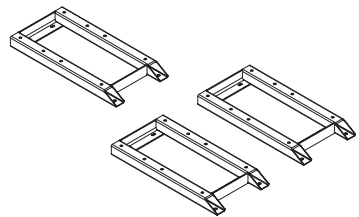
12 x Rail Sets



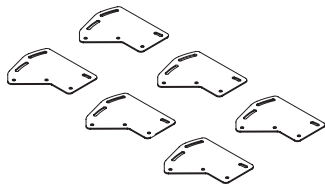
6 x Worktop Support



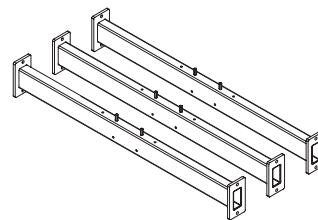
Triangular Centre Plate



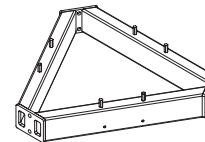
3 x Worktop Support



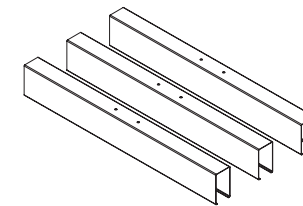
6 x Rail Plate



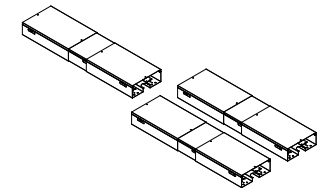
3 x Leg Beam



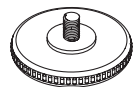
Triangular Beam



3 x Leg Beam Cover



3 x Adjustable Cable Trays



9 x Levelling Foot



84 x M8 x 10



18 x M6 x 10



36 x ST5.0X23

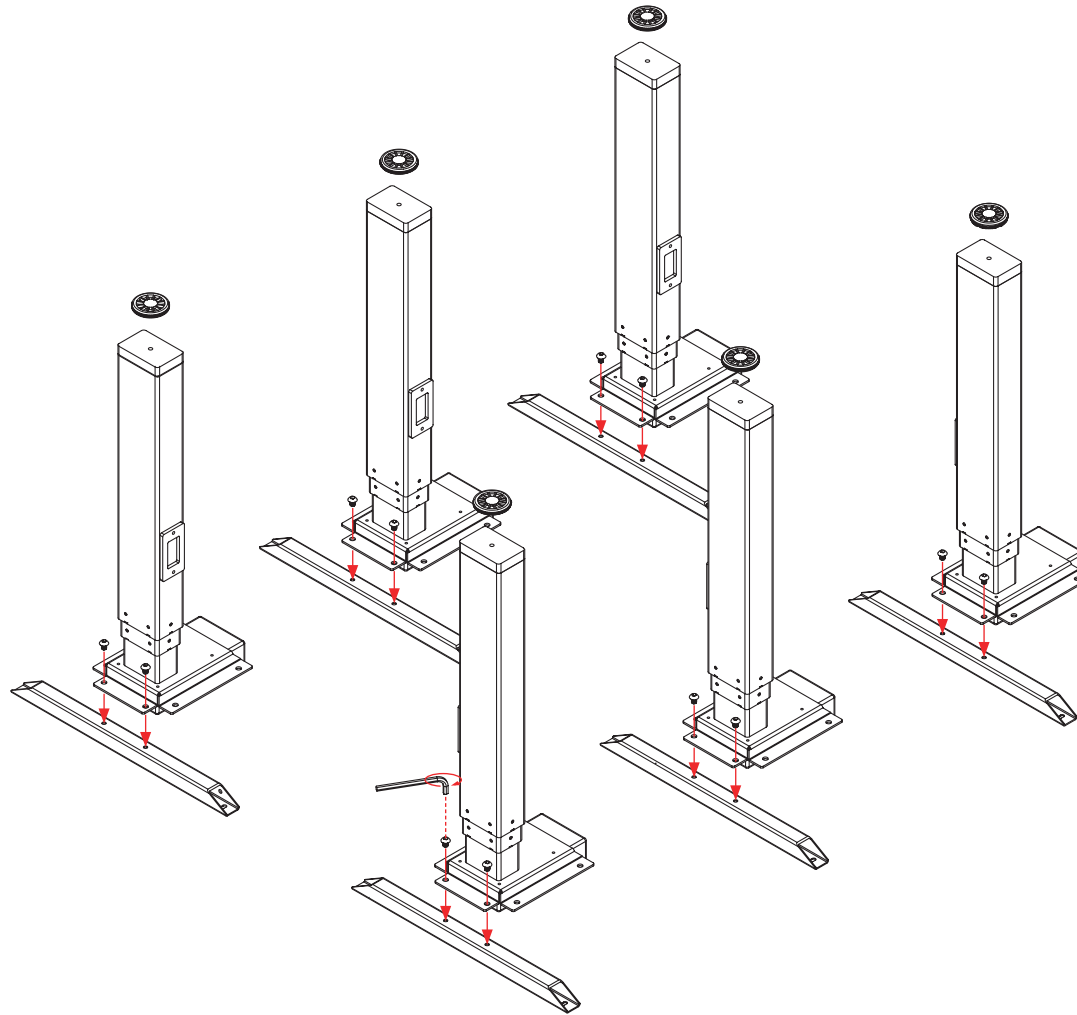
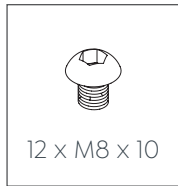


6 x ST3.5X16



6 x ST4.2X16

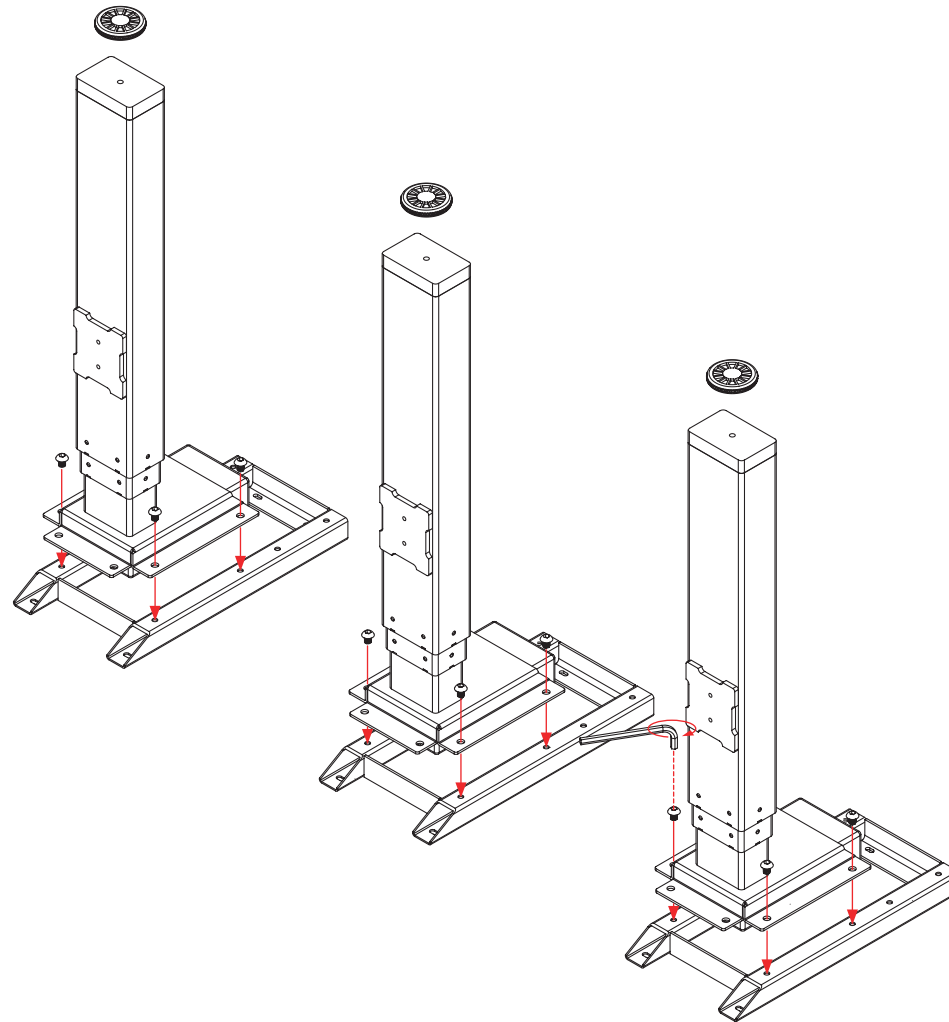
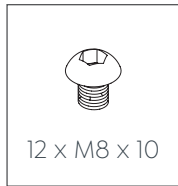
STEP 1:



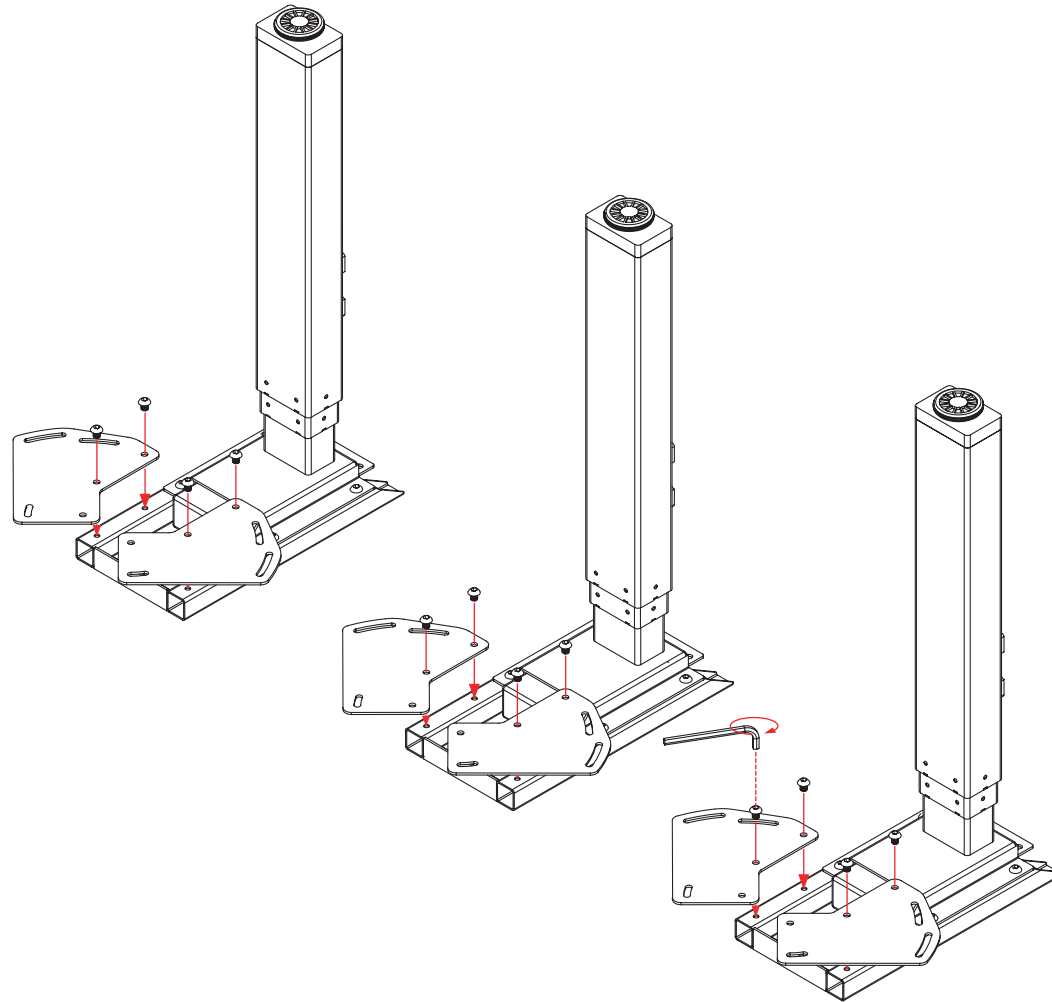
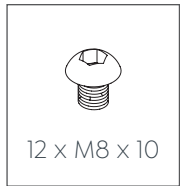
Agile+ Triple 120° Workstation

Assembly Instructions

STEP 2:



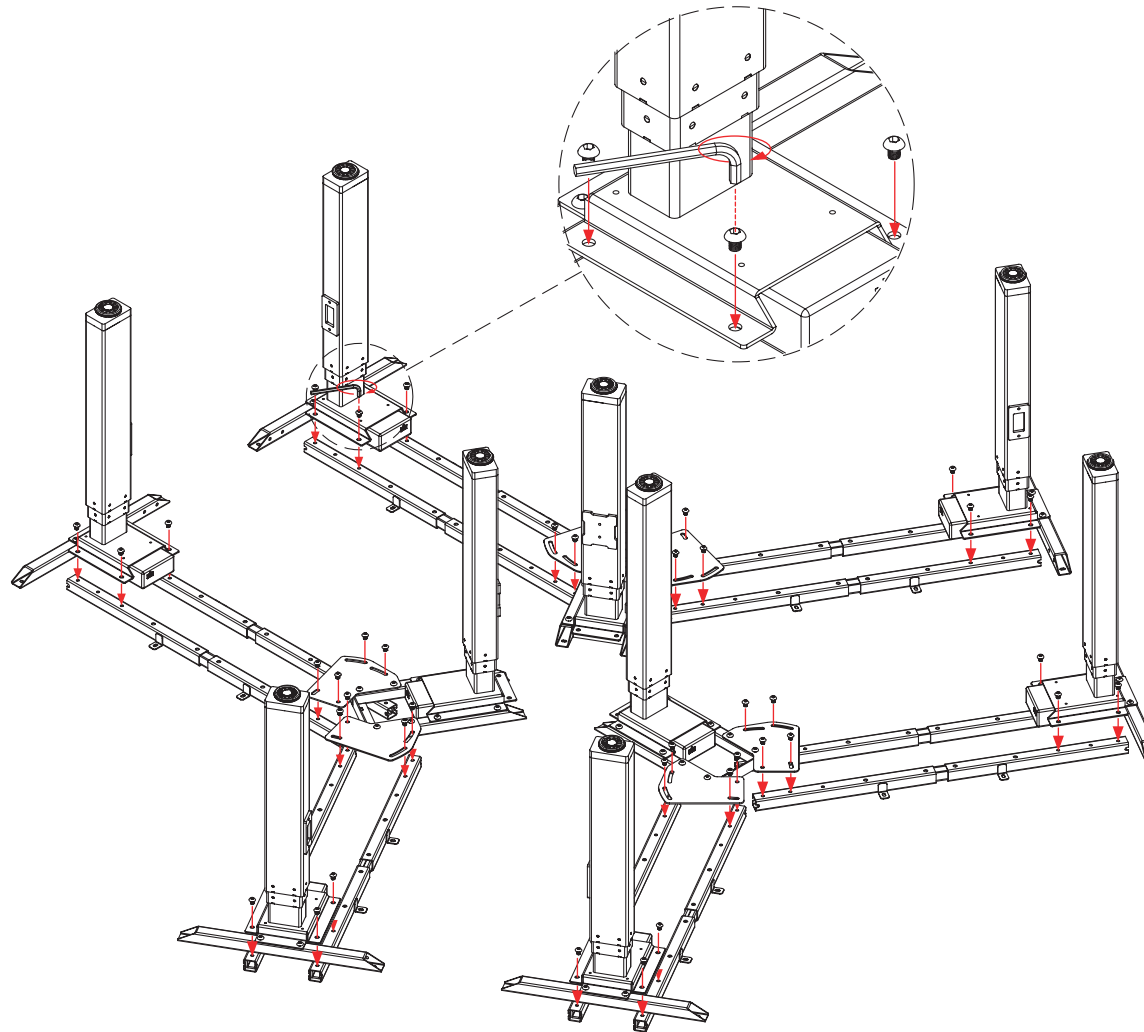
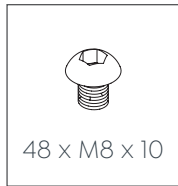
STEP 3:



Agile+ Triple 120° Workstation

Assembly Instructions

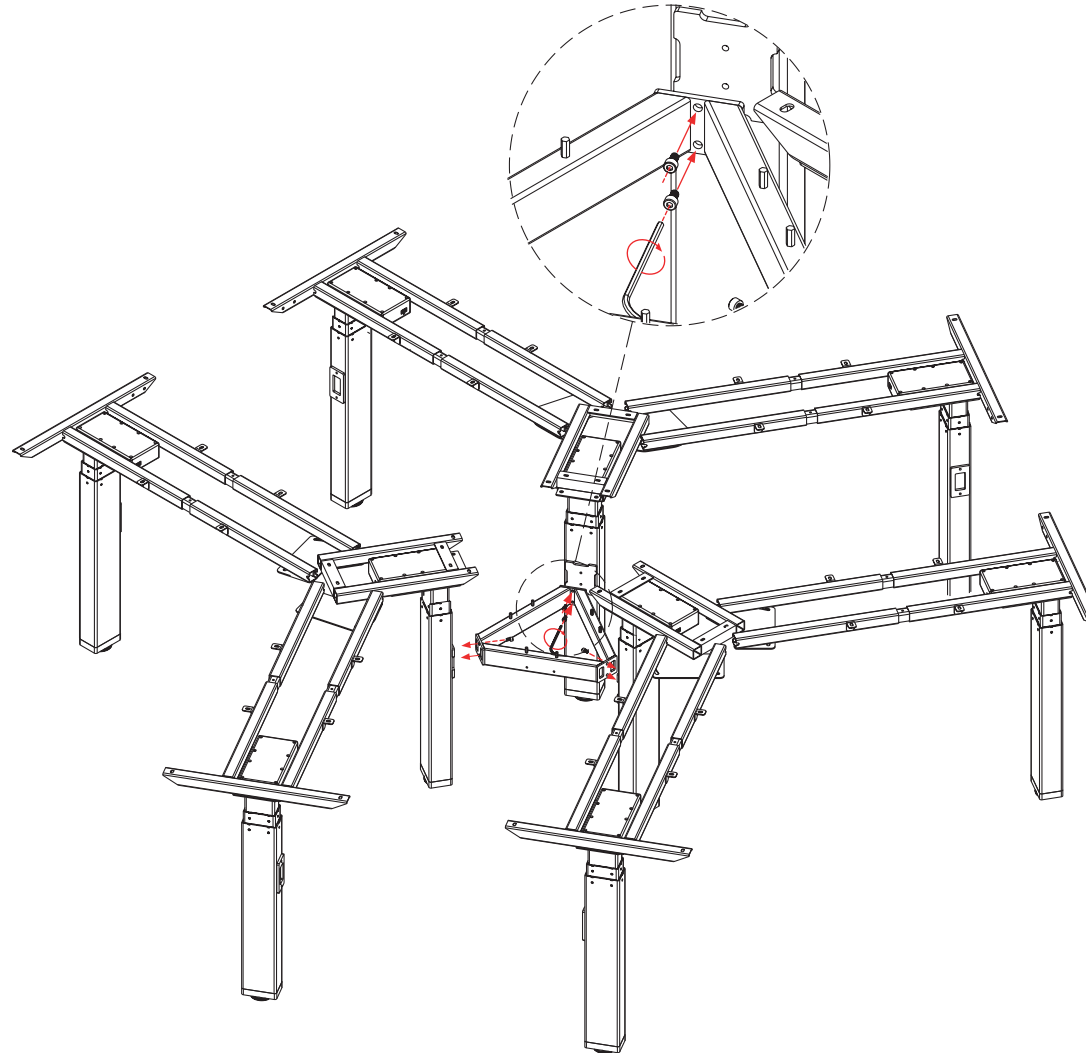
STEP 4:



STEP 5:



6 x M6 x 10



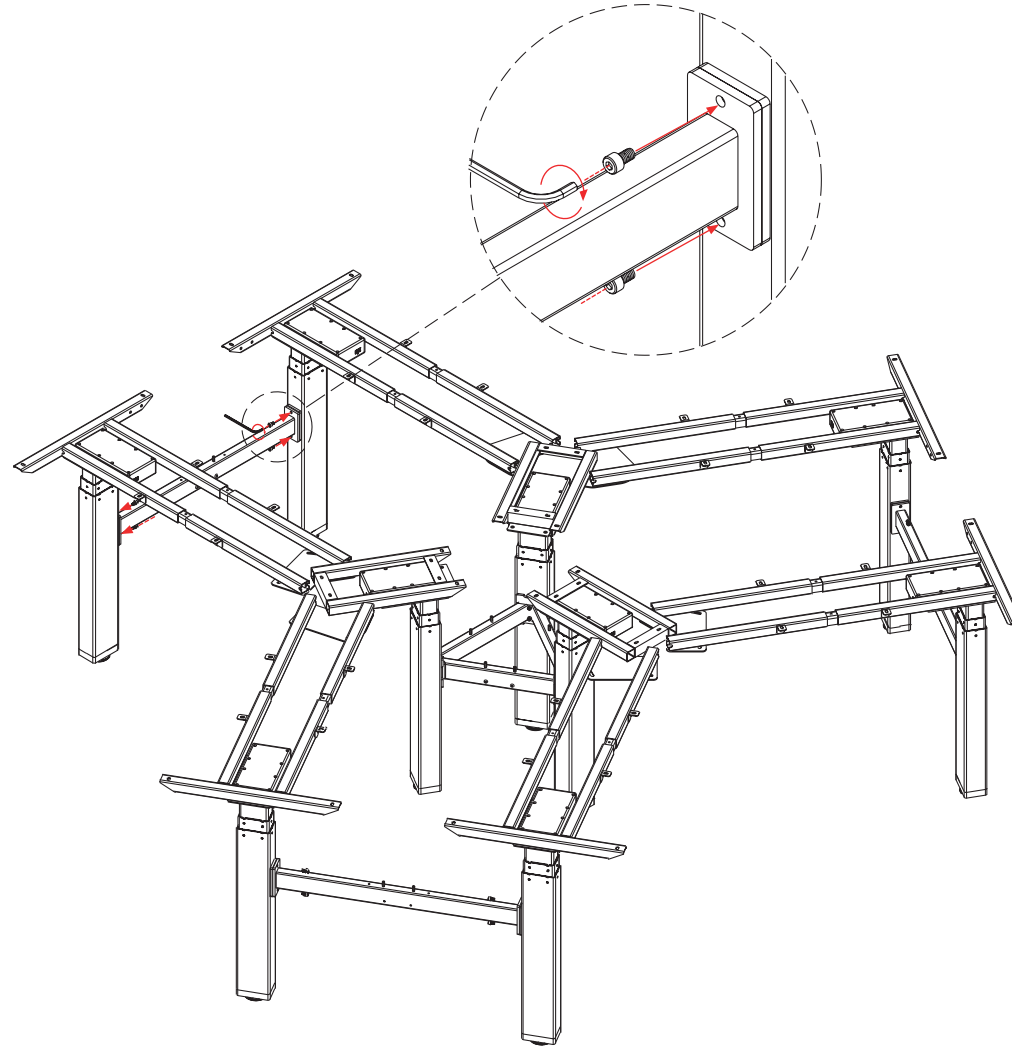
Agile+ Triple 120° Workstation

Assembly Instructions

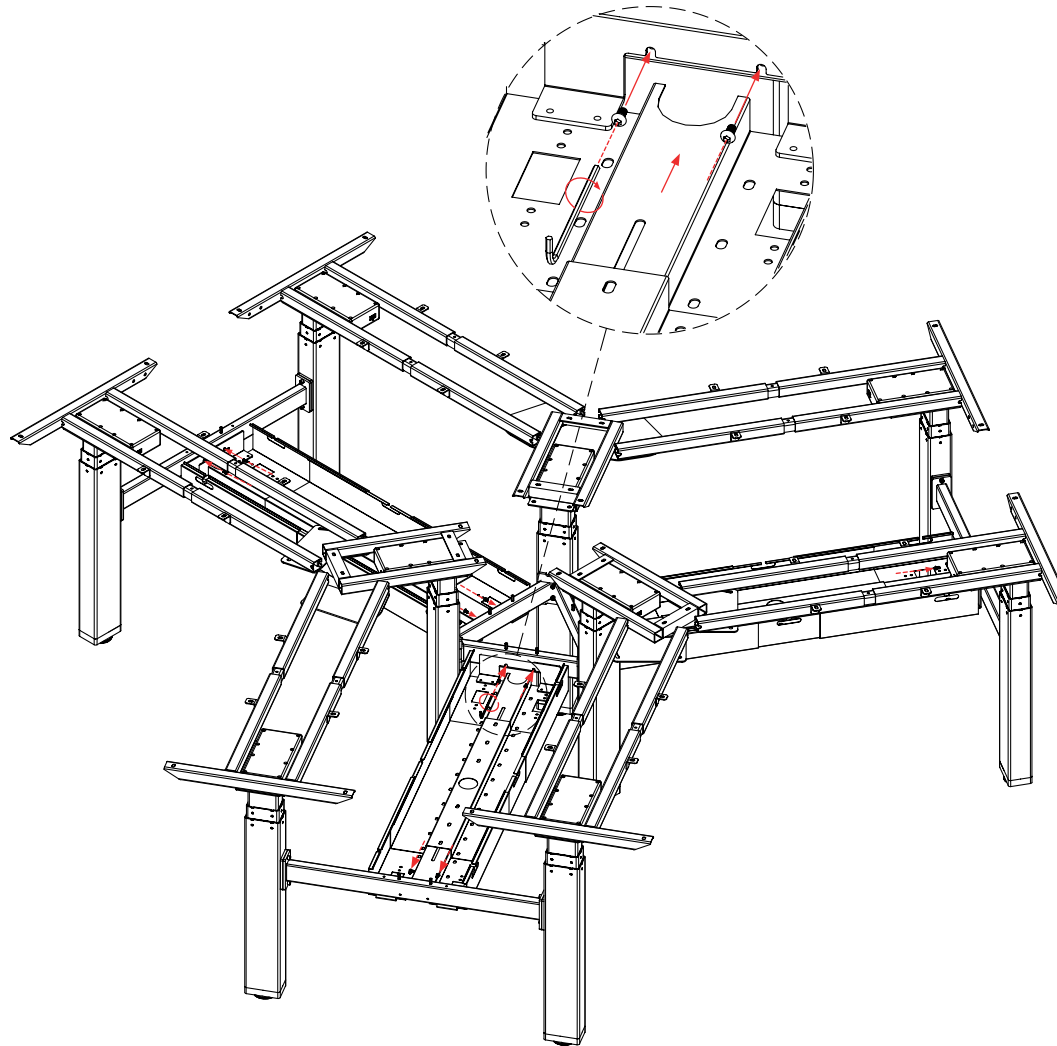
STEP 6:



12 x M6 x 10



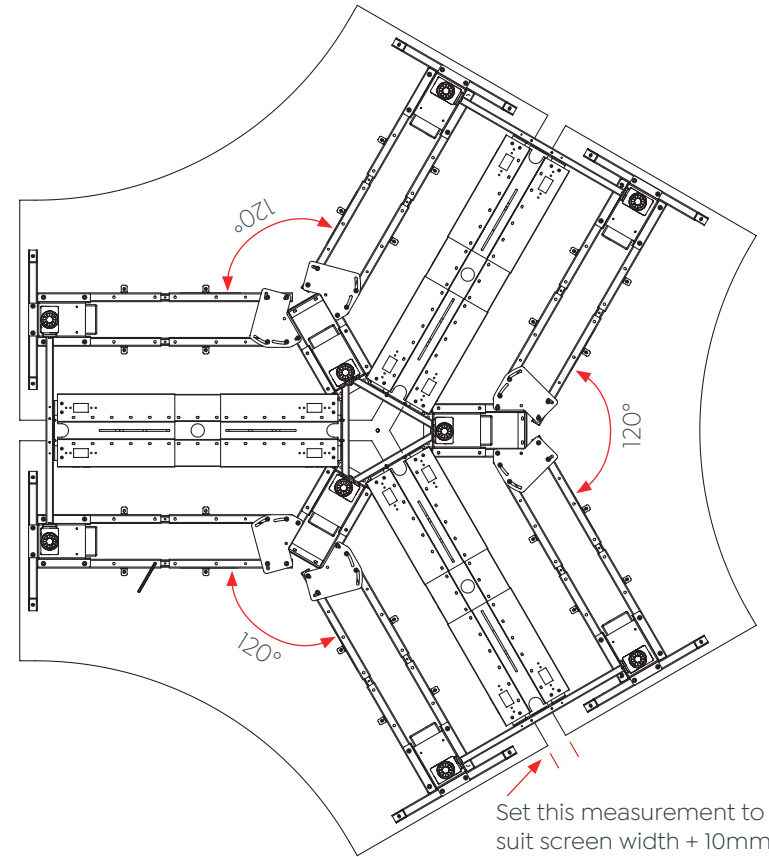
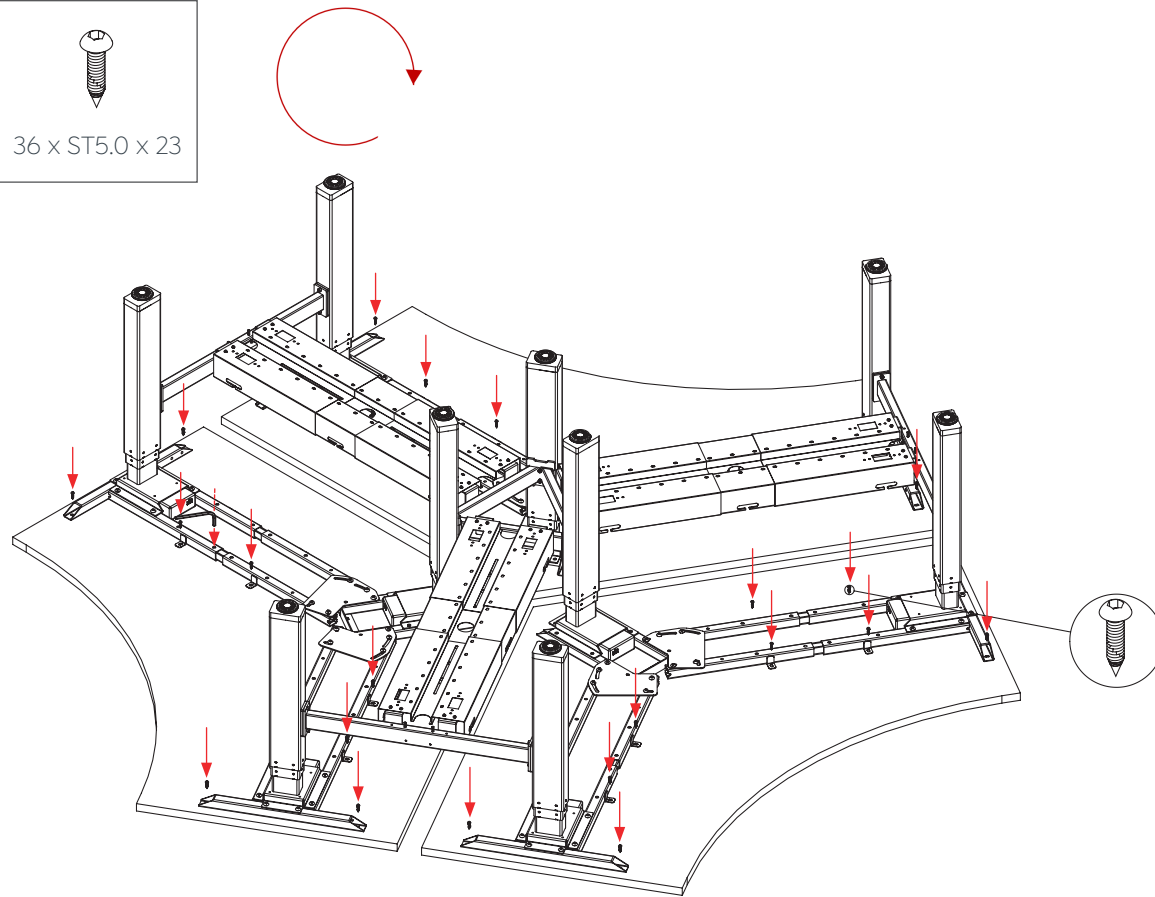
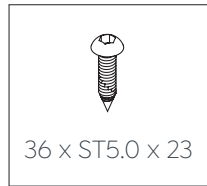
STEP 7:



Agile+ Triple 120° Workstation

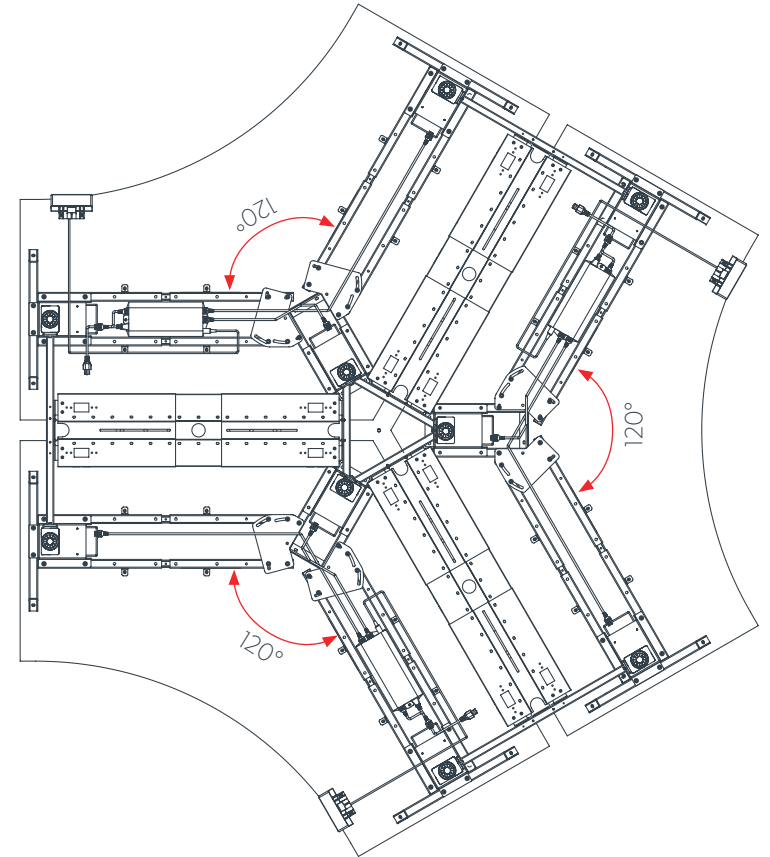
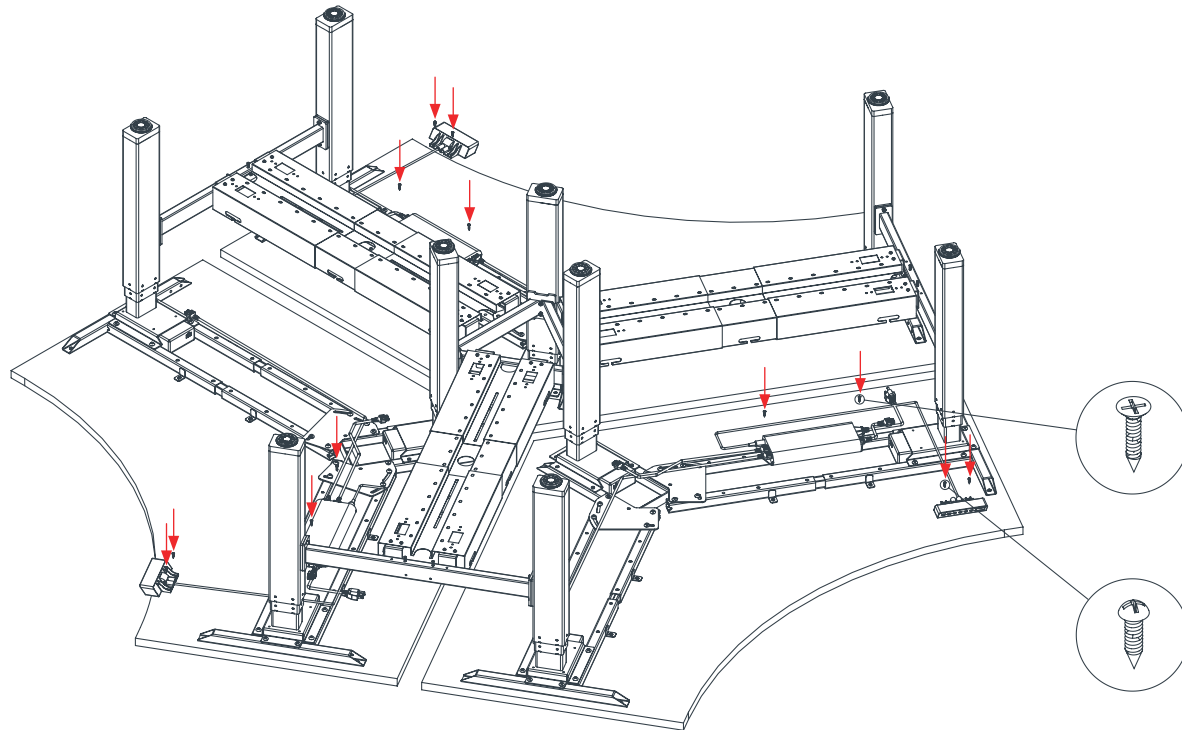
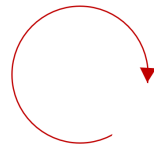
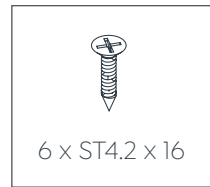
Assembly Instructions

STEP 8:



Set this measurement to suit screen width + 10mm clearance each side (e.g. if 50mm screen, allow 70mm)

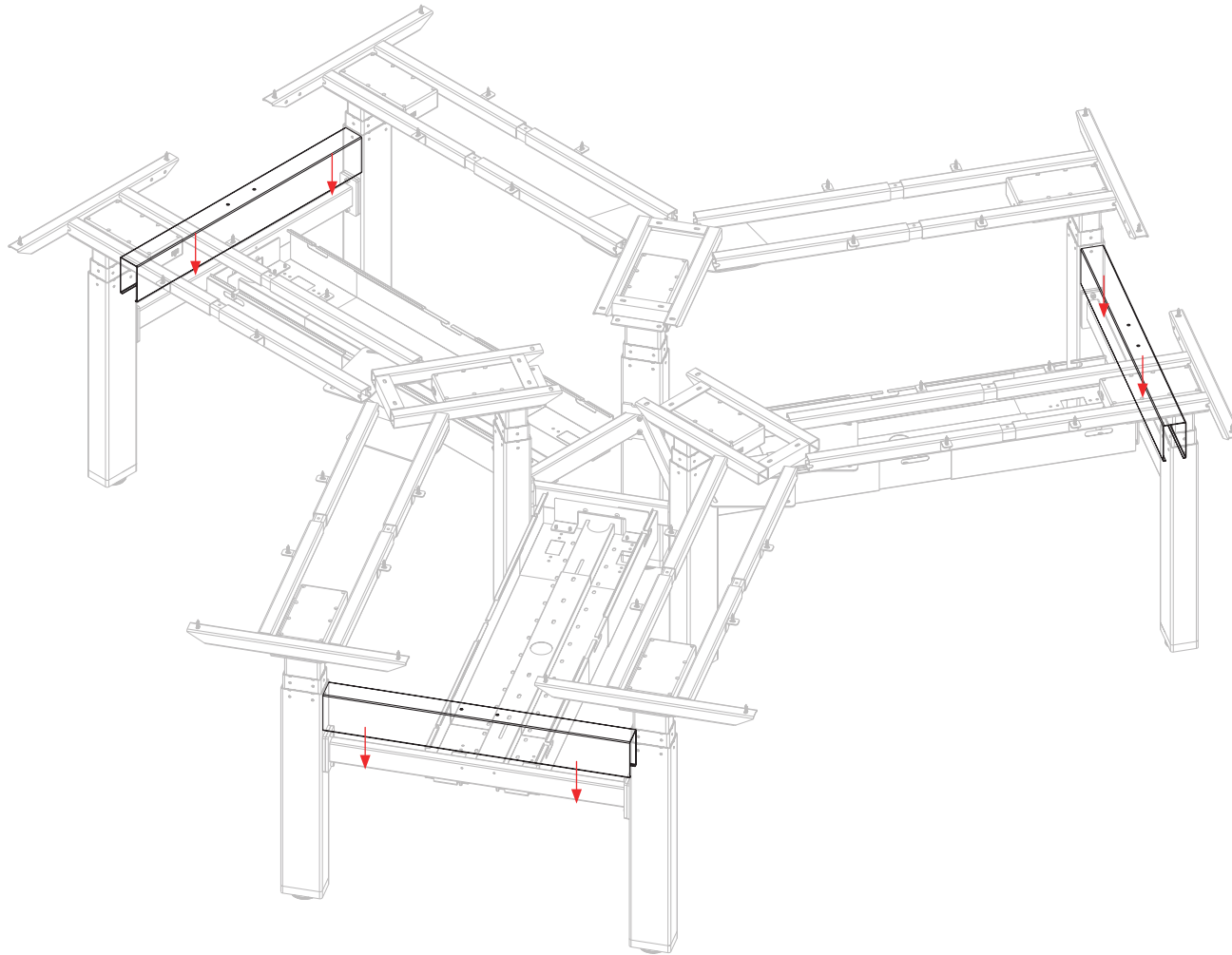
STEP 9:



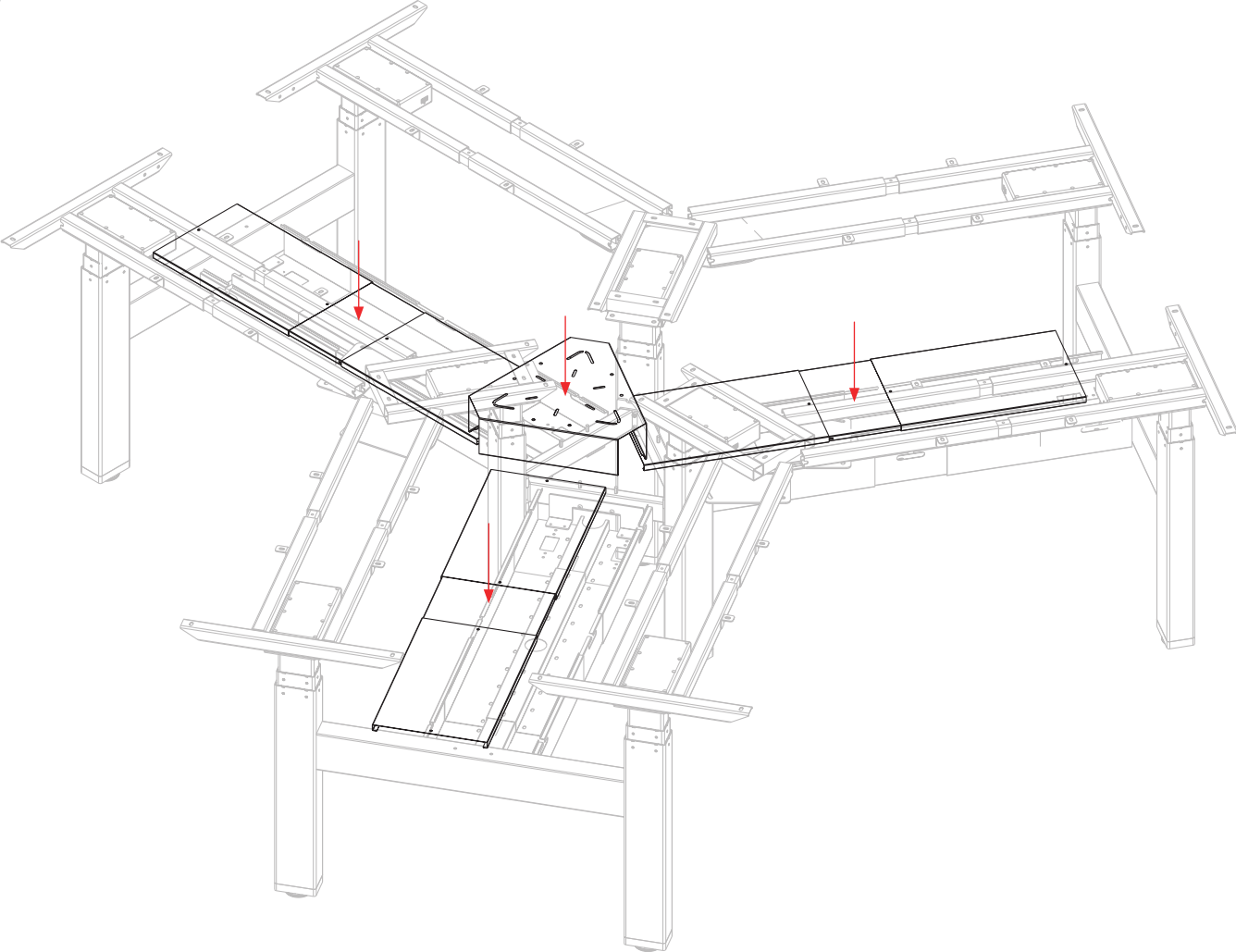
Agile+ Triple 120° Workstation

Assembly Instructions

STEP 10:



STEP 11:



Agile+ Triple 120° Workstation

Assembly Instructions

STEP 12:

