

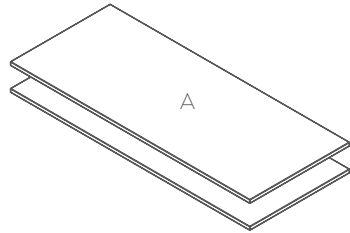
---

## **Anvil 2-User Double Sided Workspace**

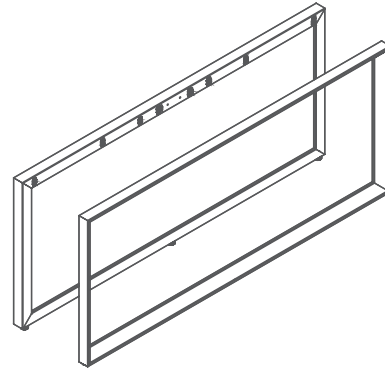
Assembly Instructions

# Anvil 2-User Double Sided Workspace

## Components List

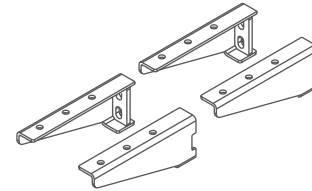


Axis Worktop



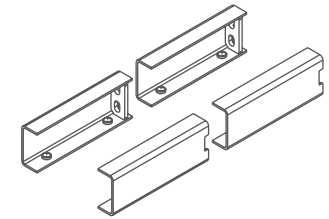
1 x L & R Leg Pair

EL



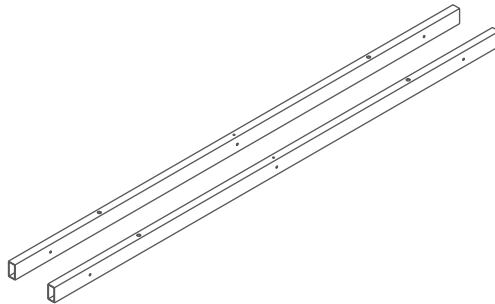
2 x Pair AXKDBRAC

B



1 x Pair AXKDSPIGE

C



2 x Rail

R



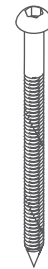
16 - M6 x 20



8 - M8 x 16



12 - ST6 x 23

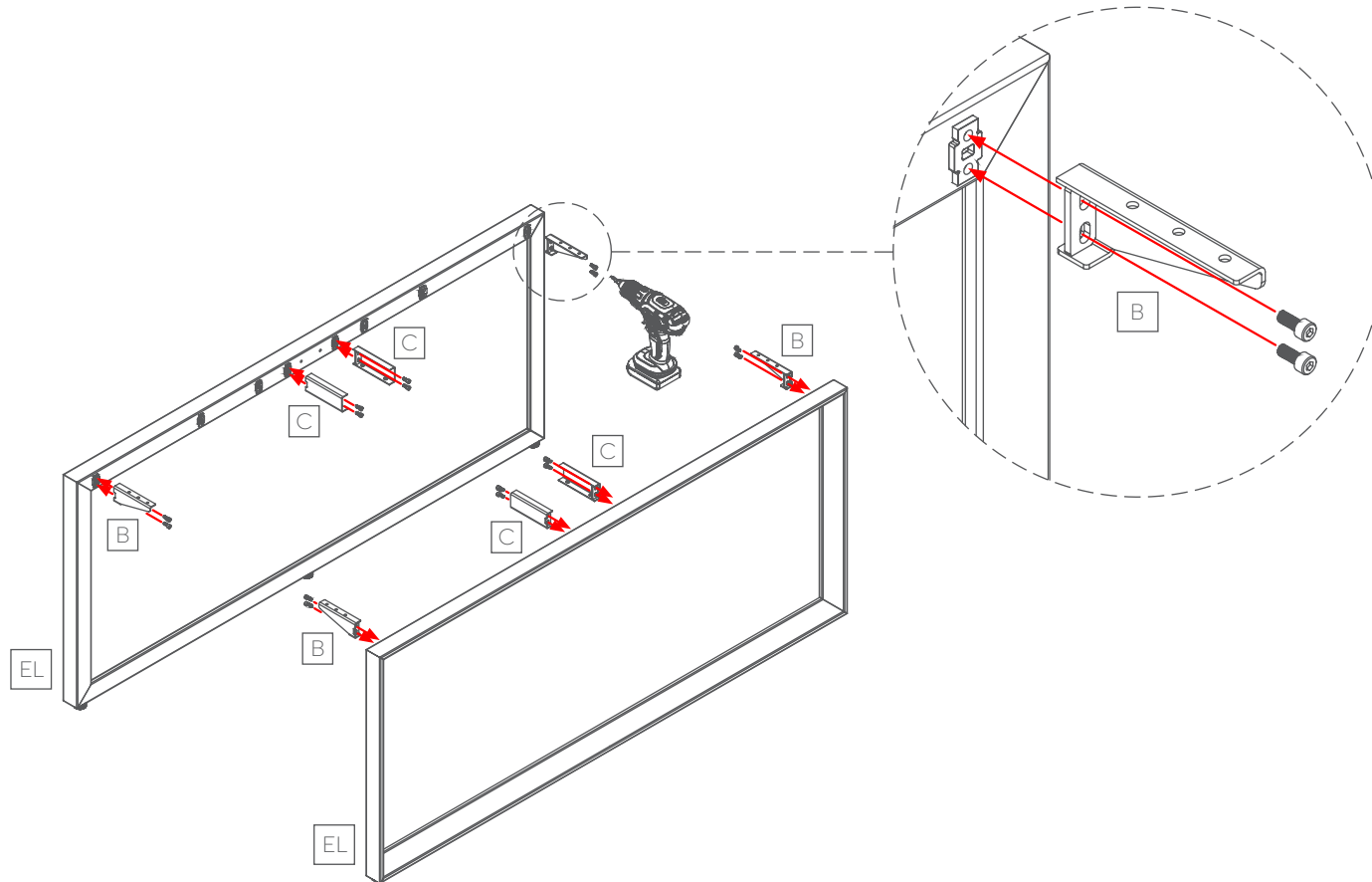
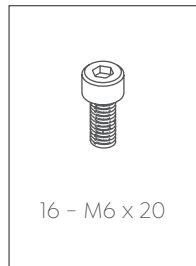


12 - ST5 x 70

# Anvil 2-User Double Sided Workspace

Assembly Instructions

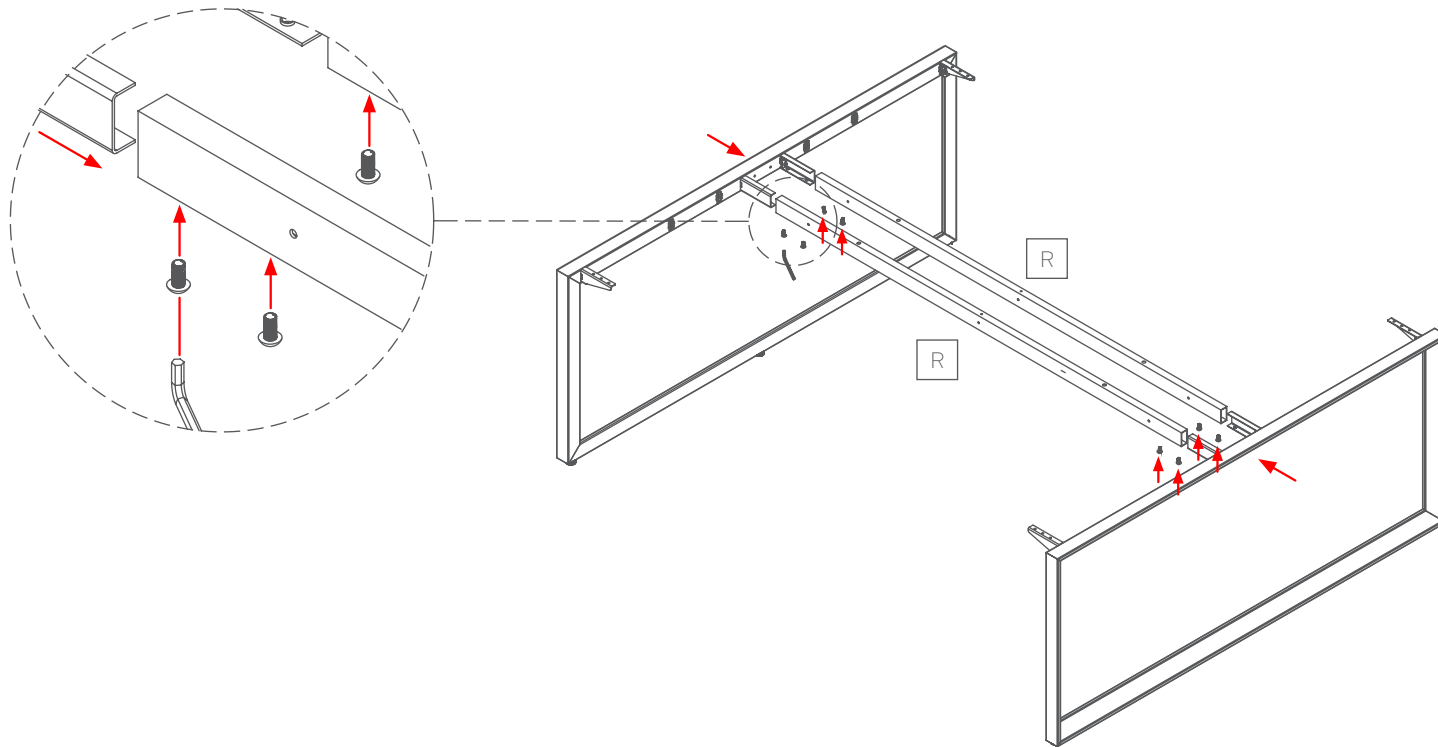
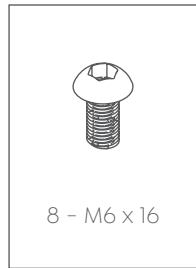
## STEP 1:



# Anvil 2-User Double Sided Workspace

## Assembly Instructions

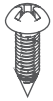
### STEP 2:



# Anvil 2-User Double Sided Workspace

Assembly Instructions

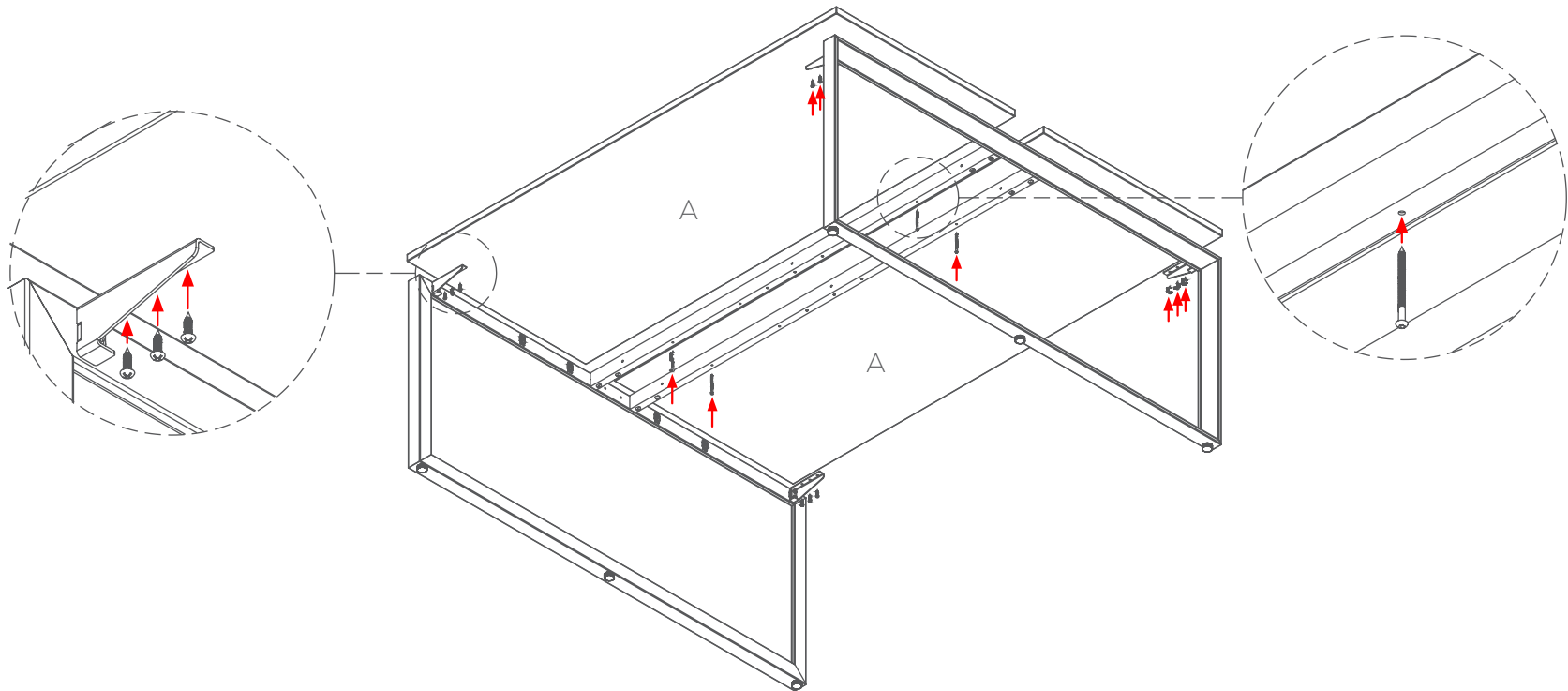
## STEP 3:



12 - ST6 x 23



4 - ST5 x 70

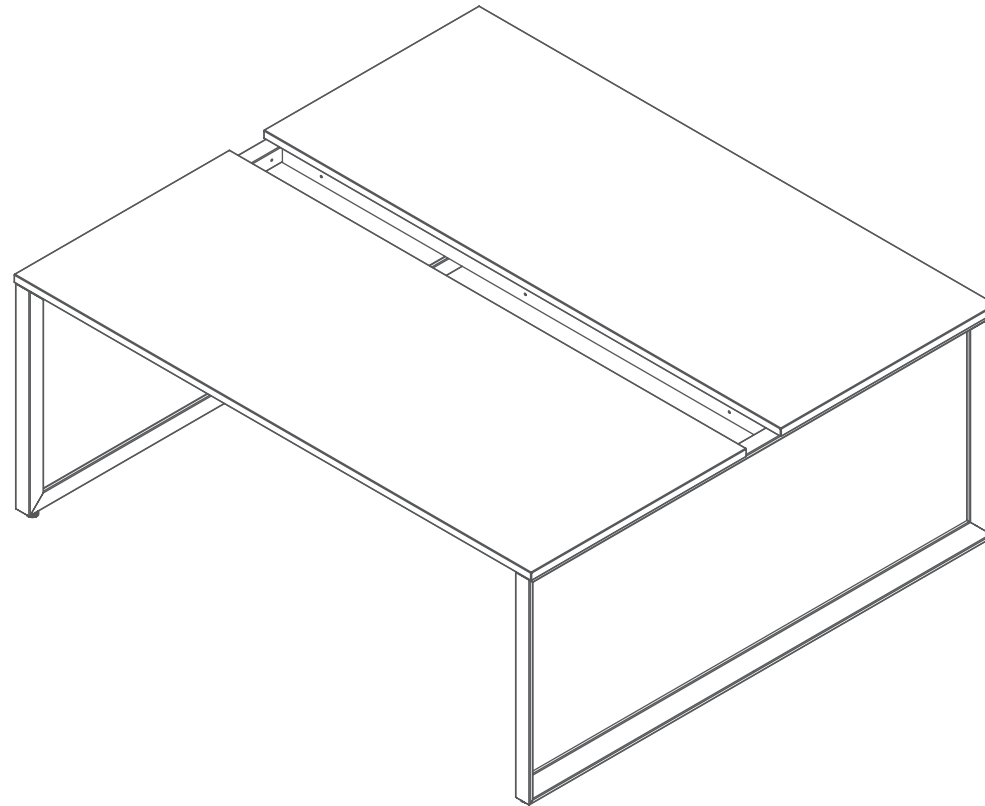


# Anvil 2-User Double Sided Workspace

Assembly Instructions

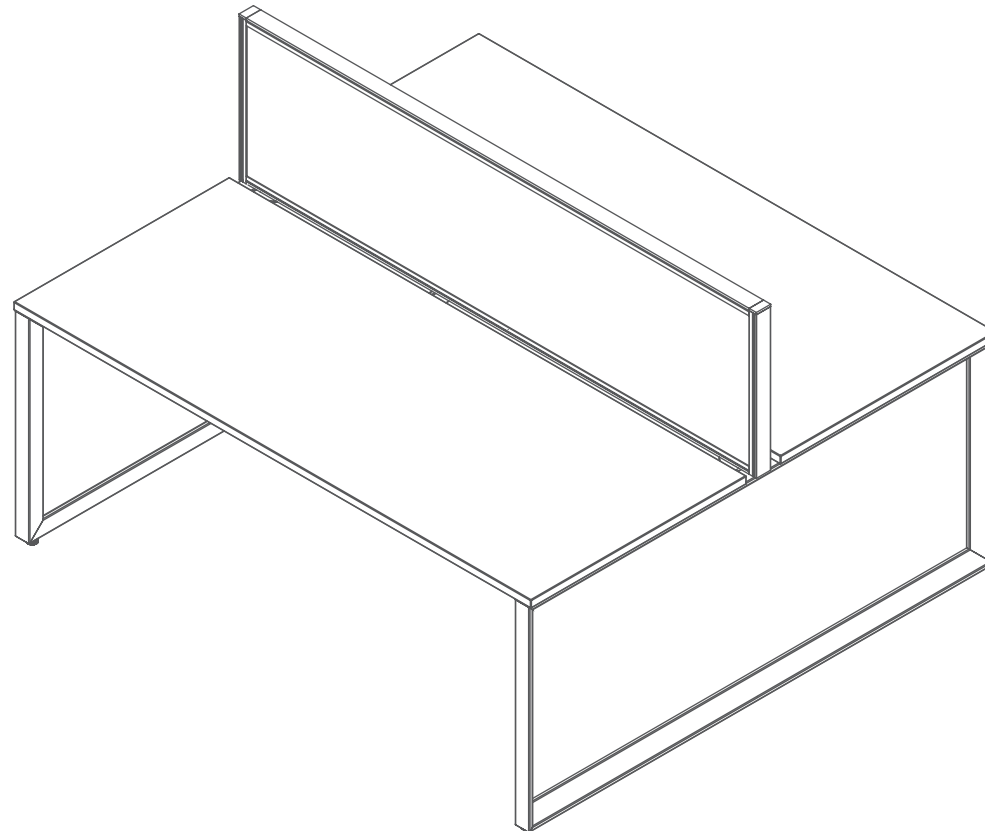
---

**Complete:**



# Optional Studio50 Desk Mounted Screen

Assembly Instructions

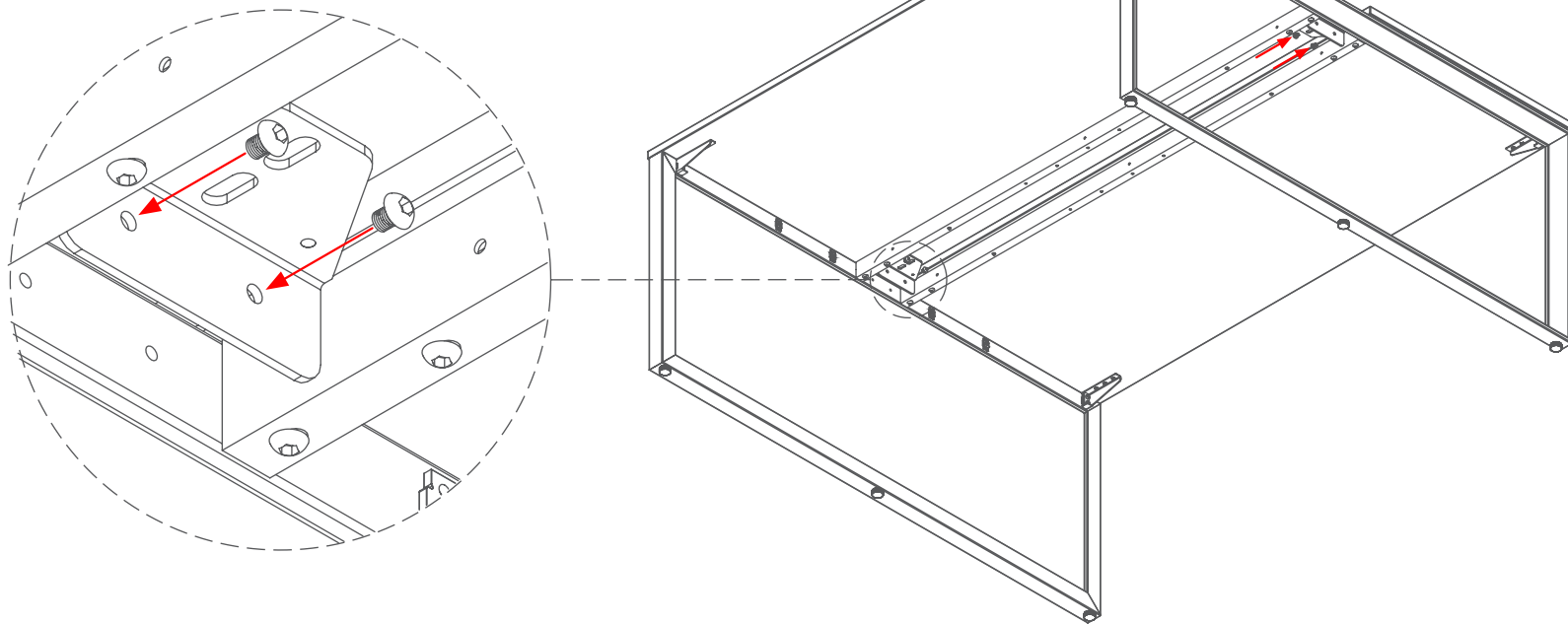


Studio50  
Screens are  
Australian  
Made.

# Optional Studio50 Desk Mounted Screen

Assembly Instructions

## STEP 1:

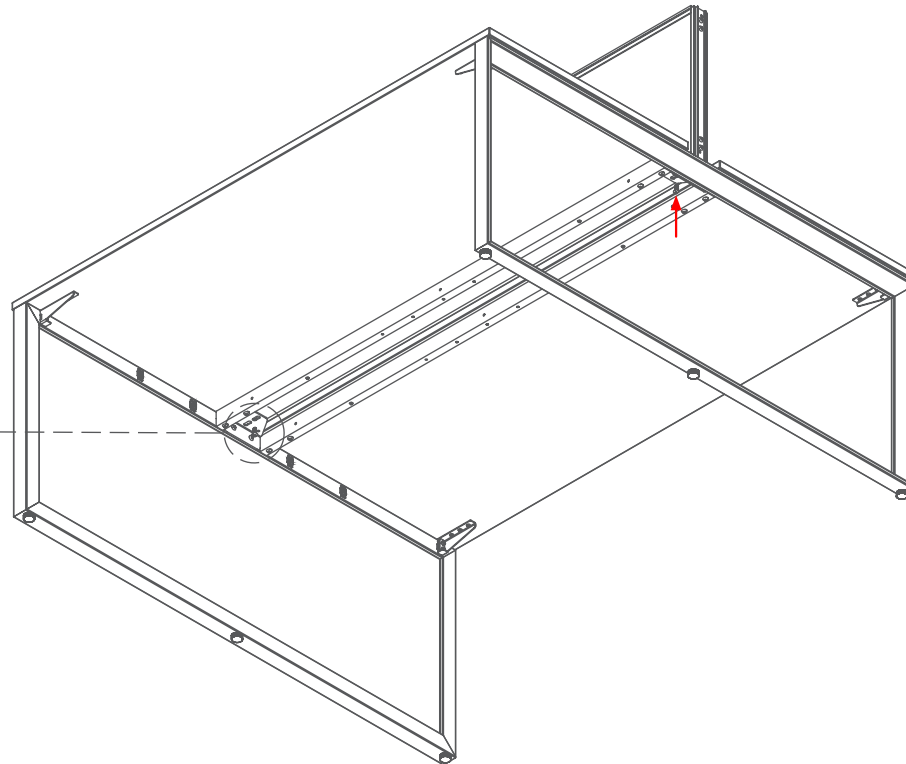
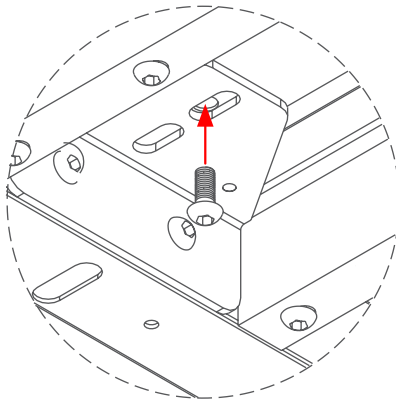
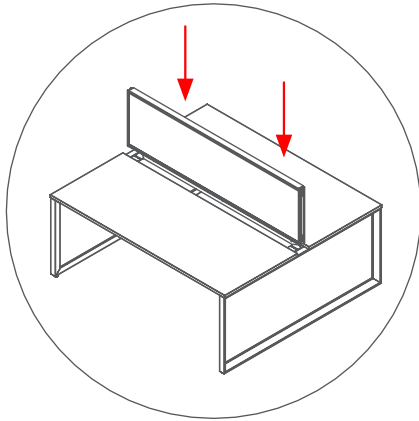




# Optional Studio50 Desk Mounted Screen

Assembly Instructions

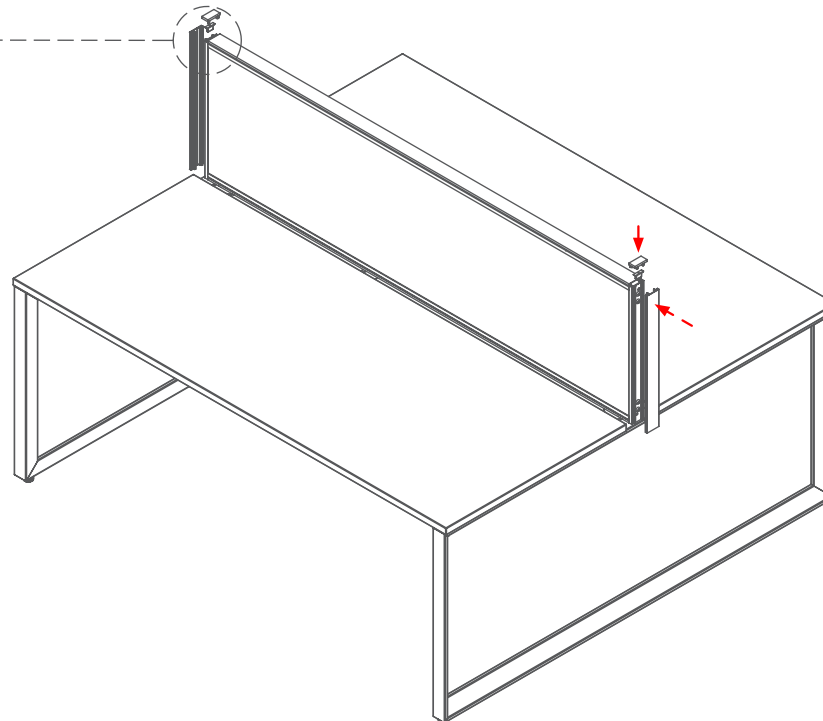
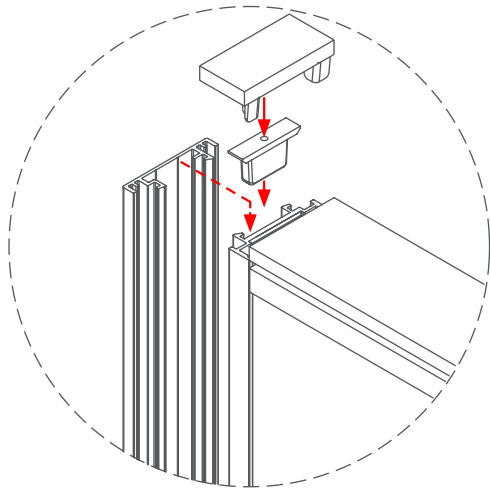
## STEP 2:



# Optional Studio50 Desk Mounted Screen

Assembly Instructions

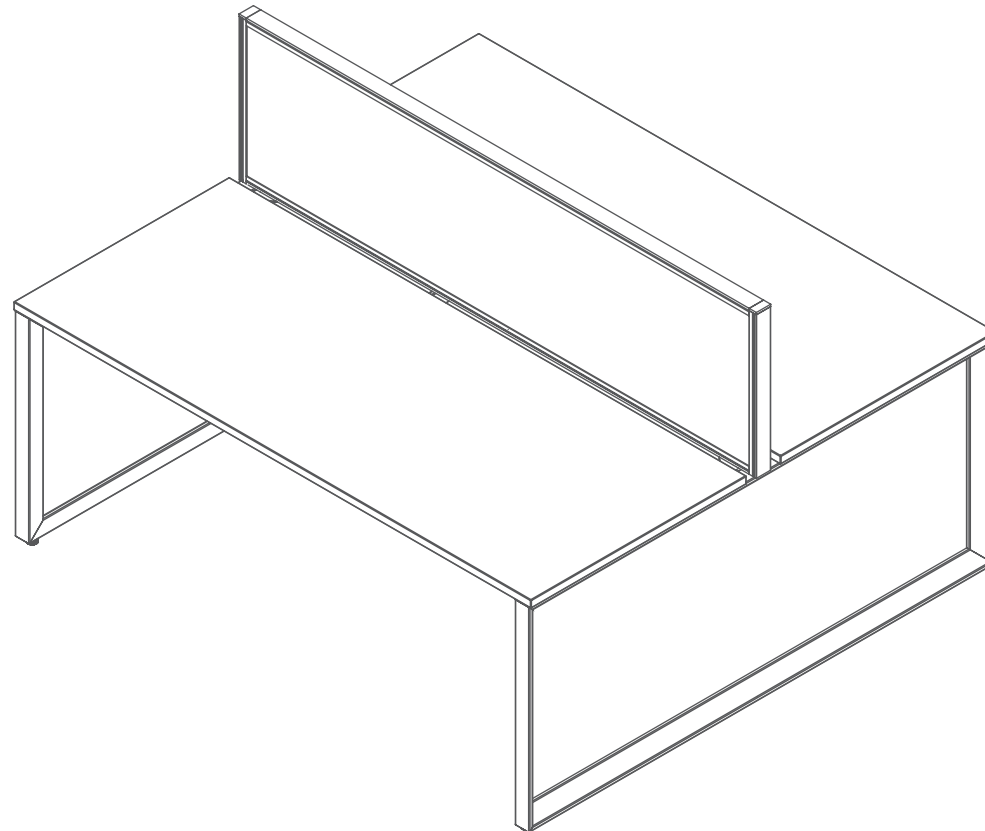
## STEP 3:



# Optional Studio50 Desk Mounted Screen

Assembly Instructions

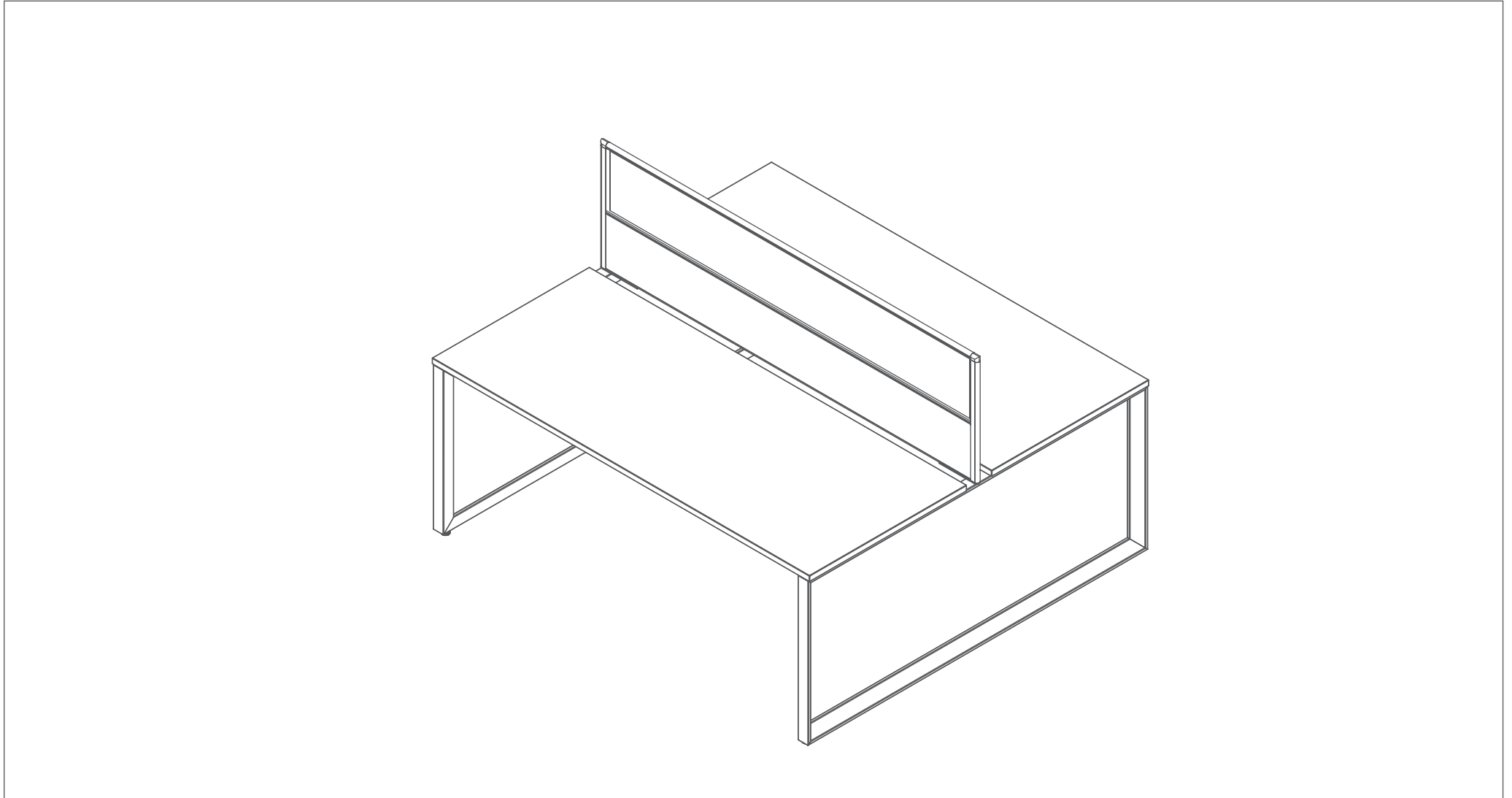
**Complete:**



# Optional 22mm Split Desk Mounted Screen

Assembly Instructions

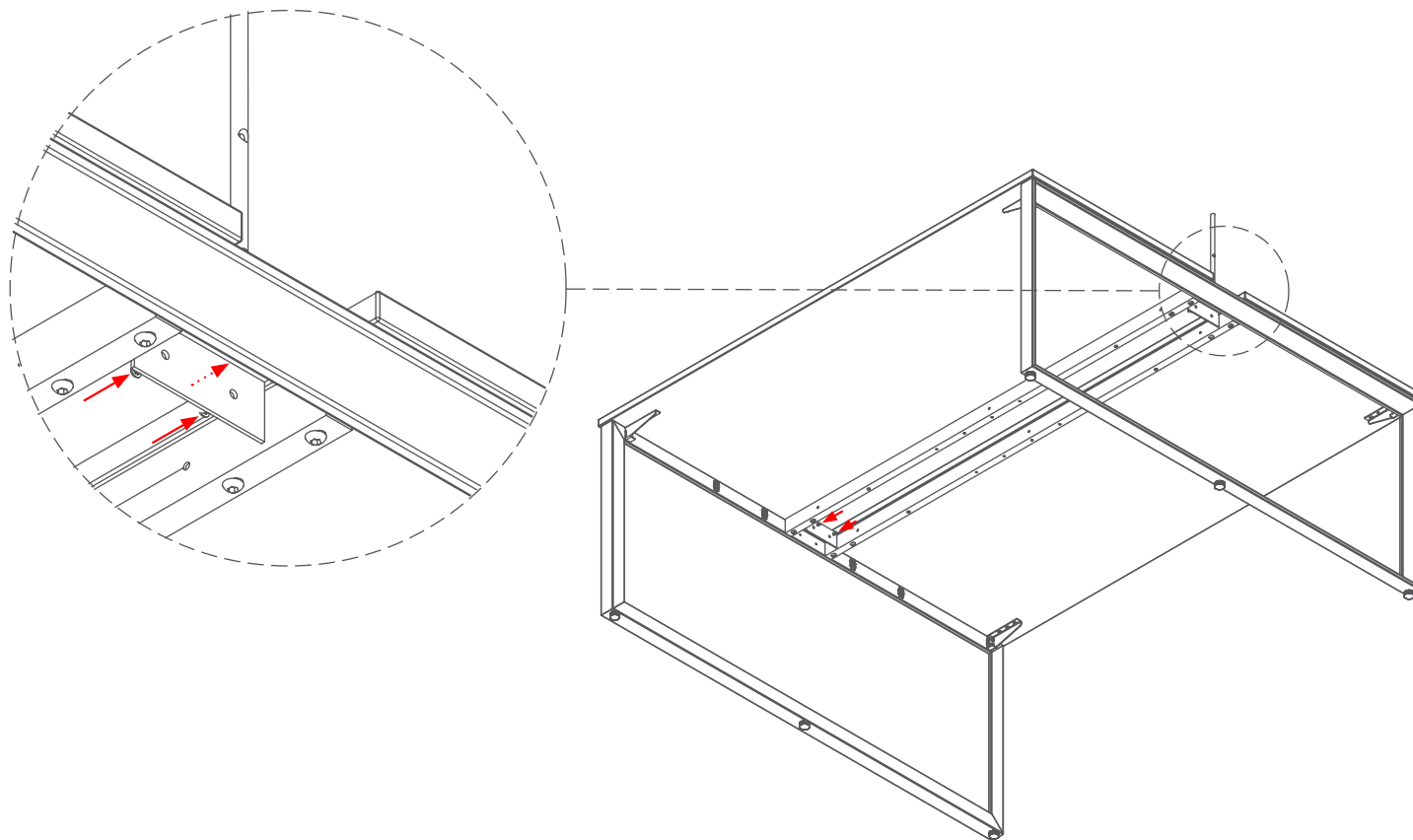
---



# Optional 22mm Split Desk Mounted Screen

Assembly Instructions

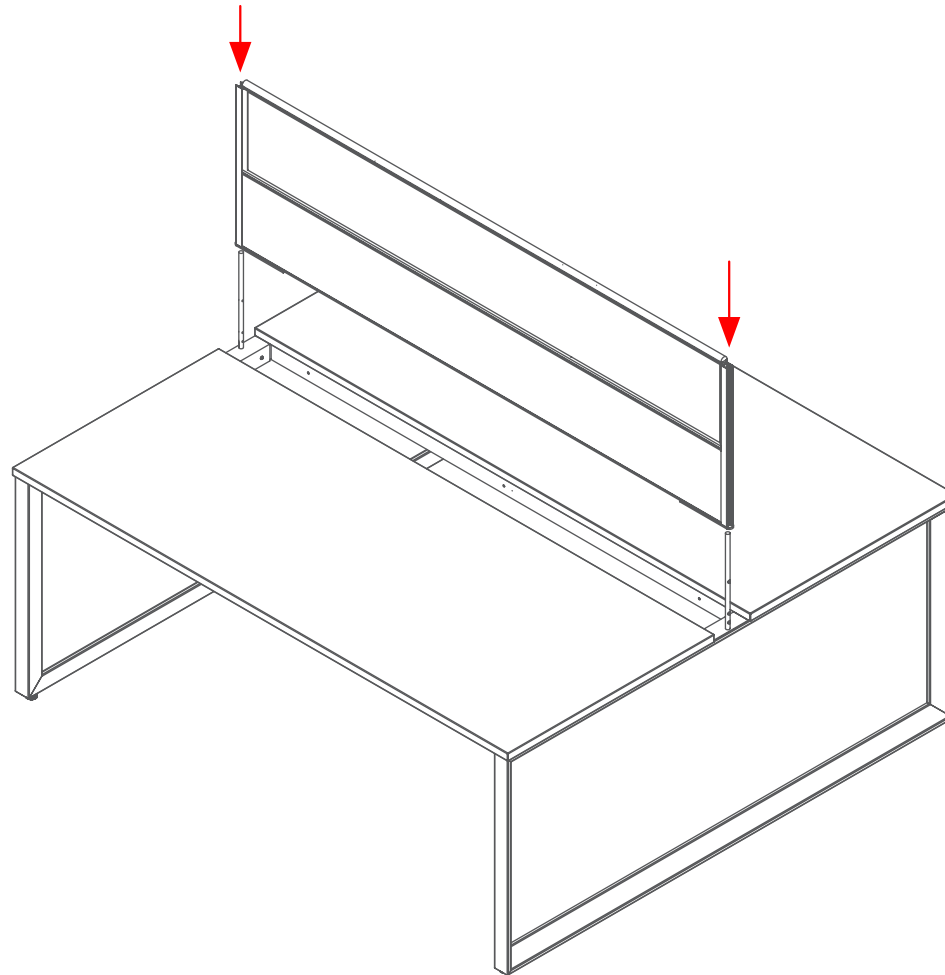
## STEP 1:



# Optional 22mm Split Desk Mounted Screen

Assembly Instructions

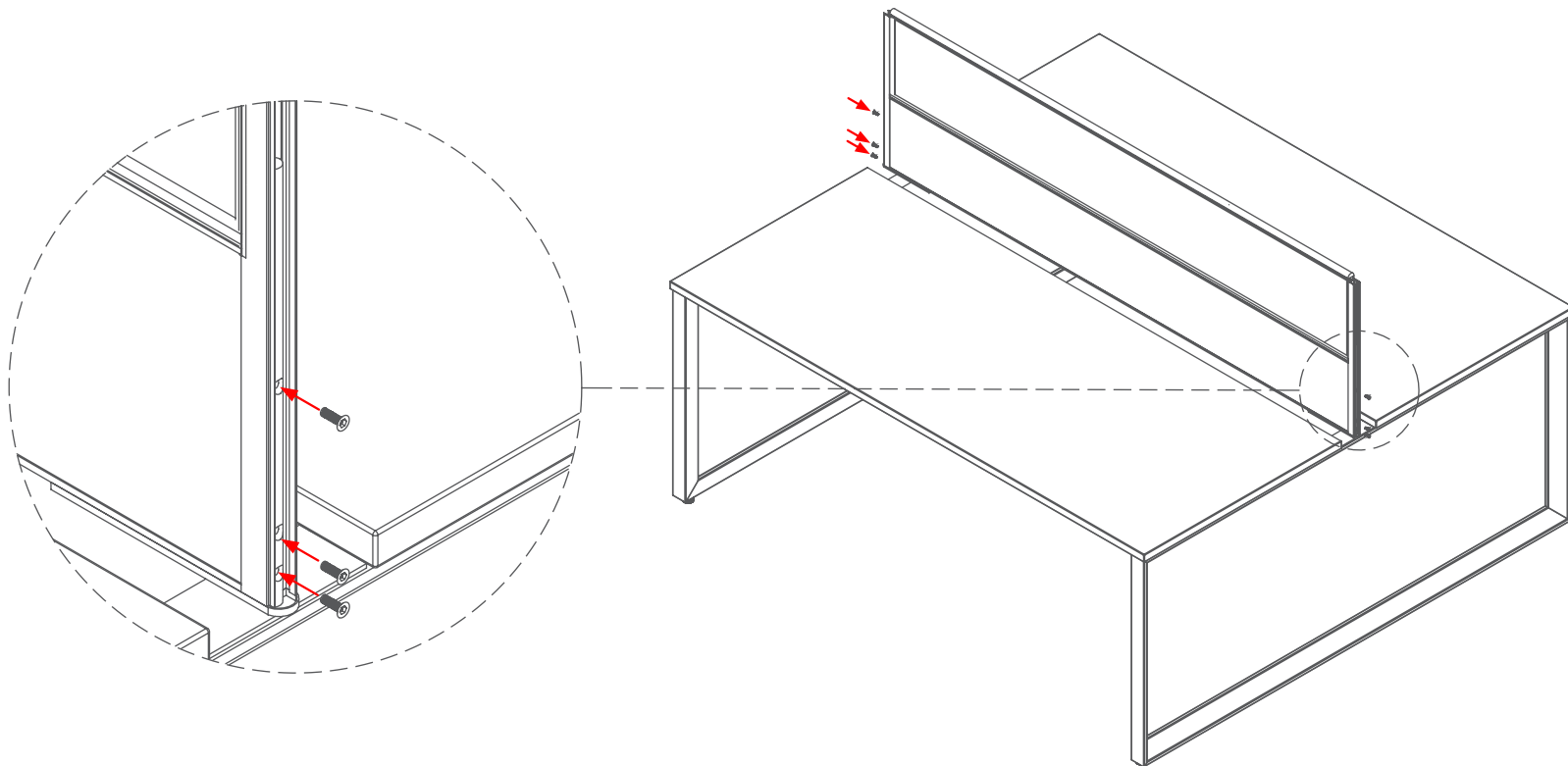
**STEP 2:**



# Optional 22mm Split Desk Mounted Screen

Assembly Instructions

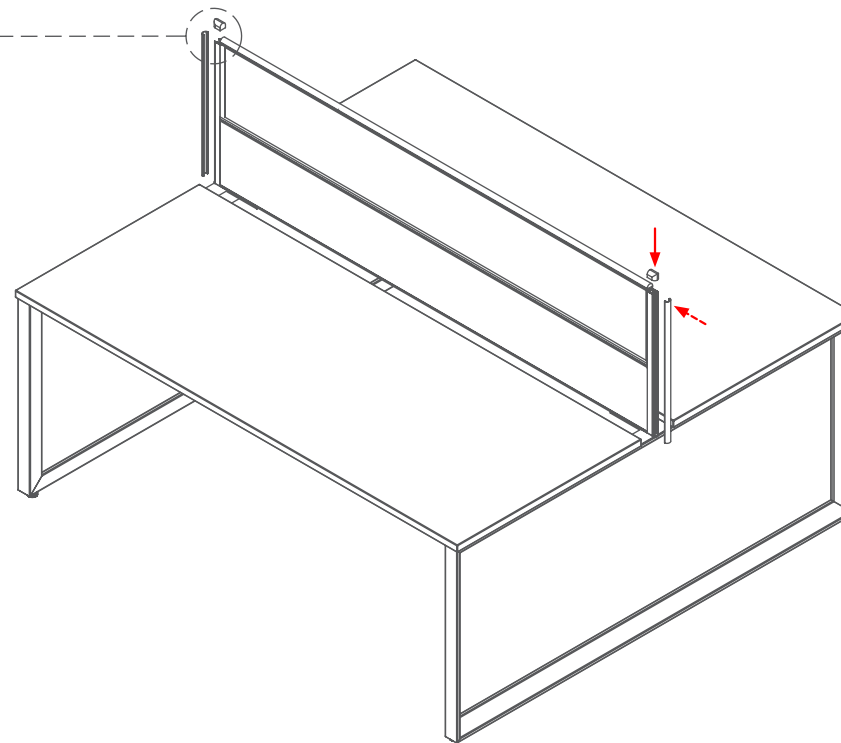
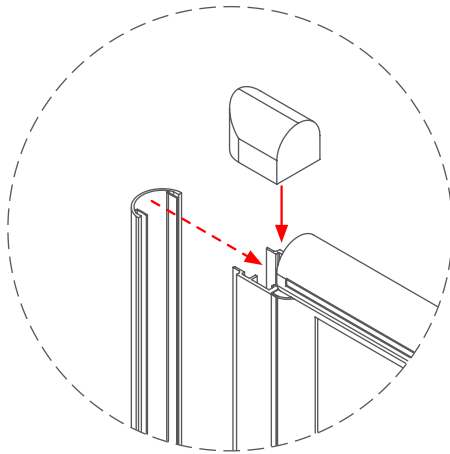
## STEP 3:



# Optional 22mm Split Desk Mounted Screen

Assembly Instructions

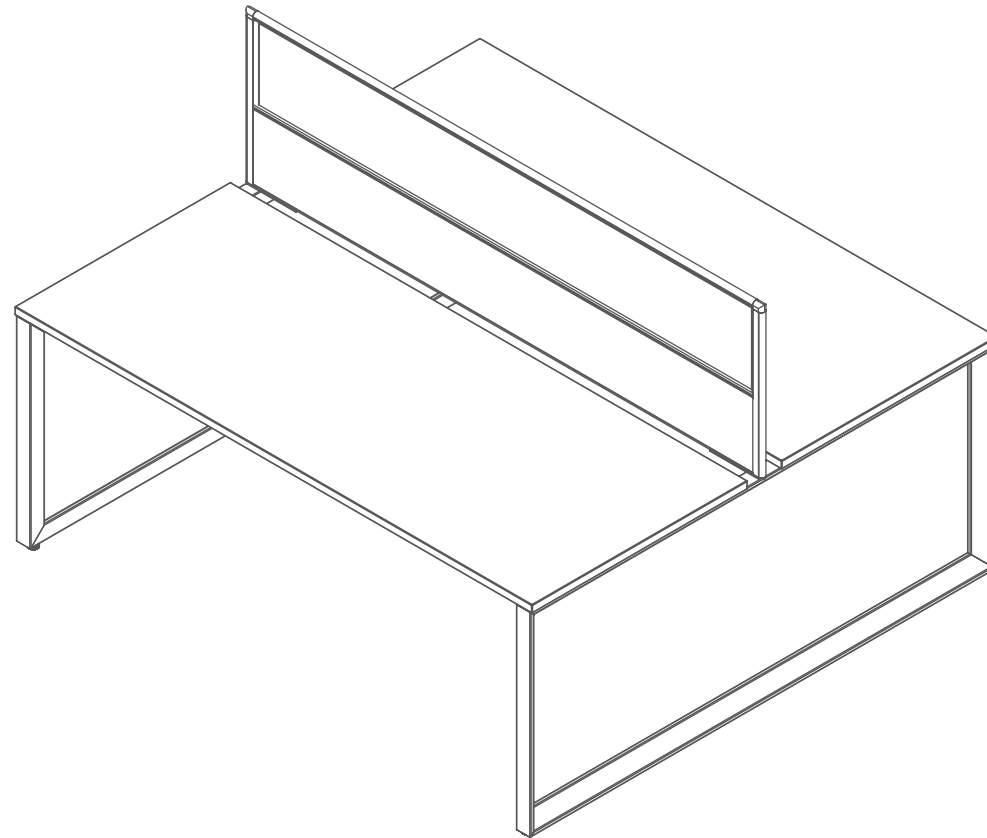
## STEP 4:





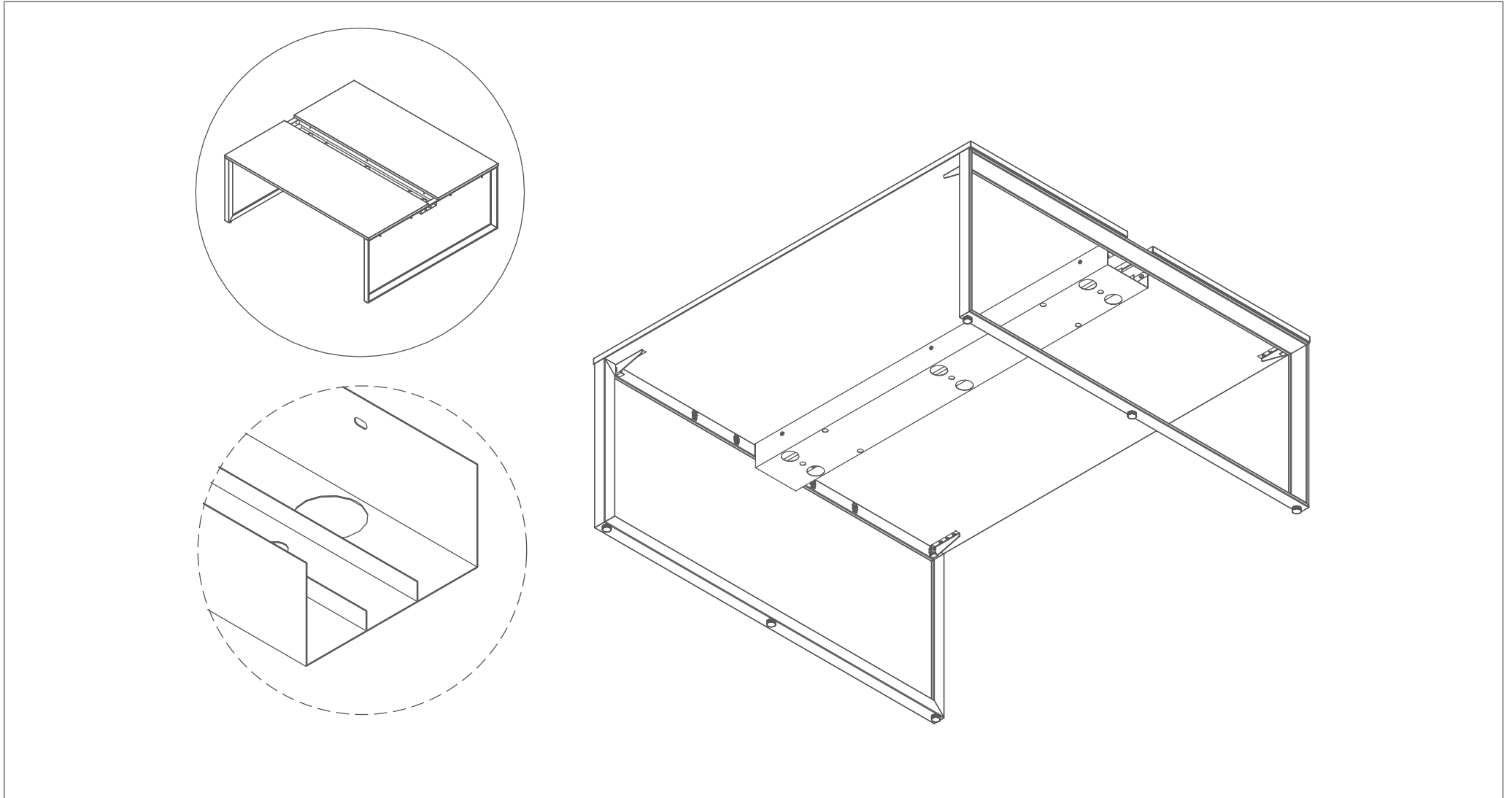
# Optional 22mm Split Desk Mounted Screen

Assembly Instructions



# Optional Double Sided Cable Tray

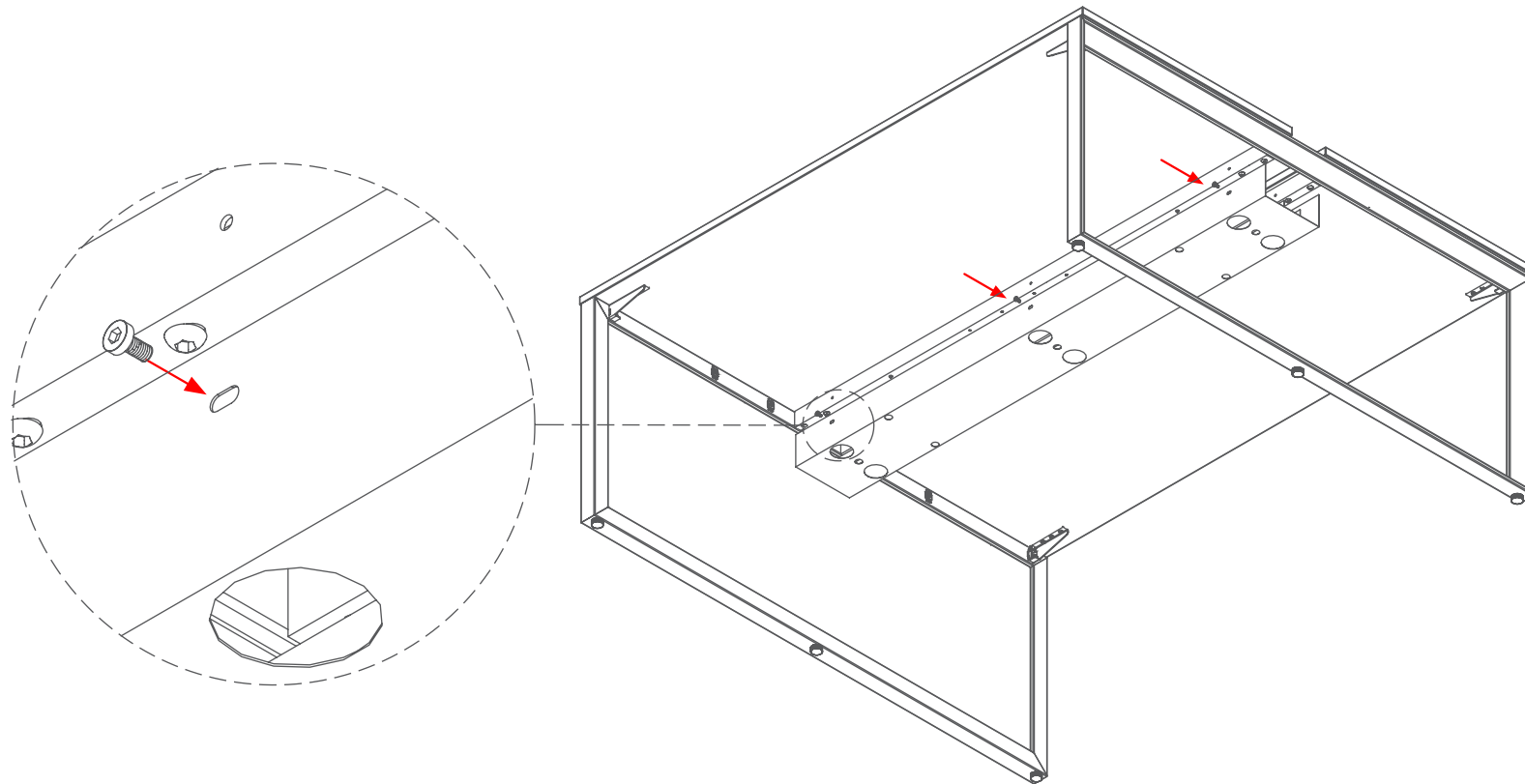
Assembly Instructions



# Optional Double Sided Cable Tray

Assembly Instructions

## STEP 1:



# Optional Double Sided Cable Tray

Assembly Instructions

---

