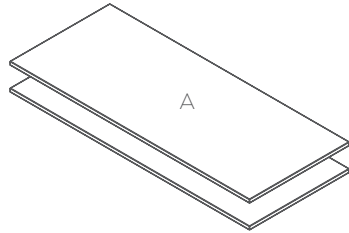


Anvil 2-User Single Sided Workspace

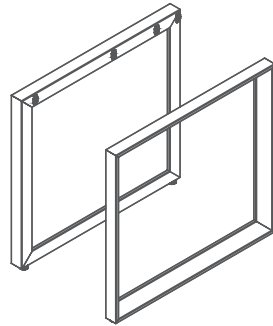
Assembly Instructions

Anvil 2-User Single Sided Workspace

Components List

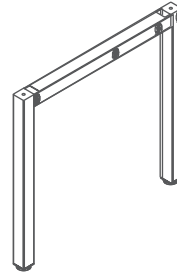


Axis Worktop



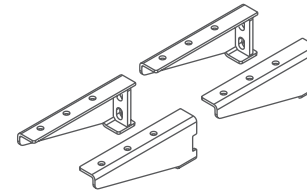
1 x L & R Leg Pair

EL



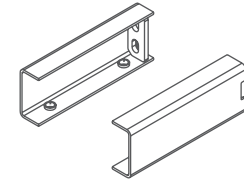
1 x Mid Leg

ML



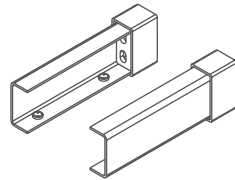
2 x Pair AXKDBRAC

B



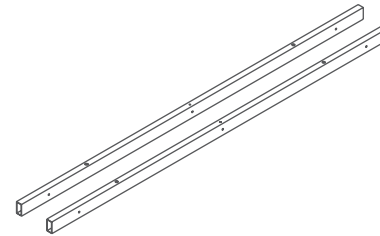
1 x Pair AXKDSPIGE

C



1 x Pair AXKDSPIGE

D

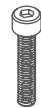


2 x Rail

R



12 - M6 x 20



4 - M8 x 30



8 - M8 x 16



12 - ST6 x 23

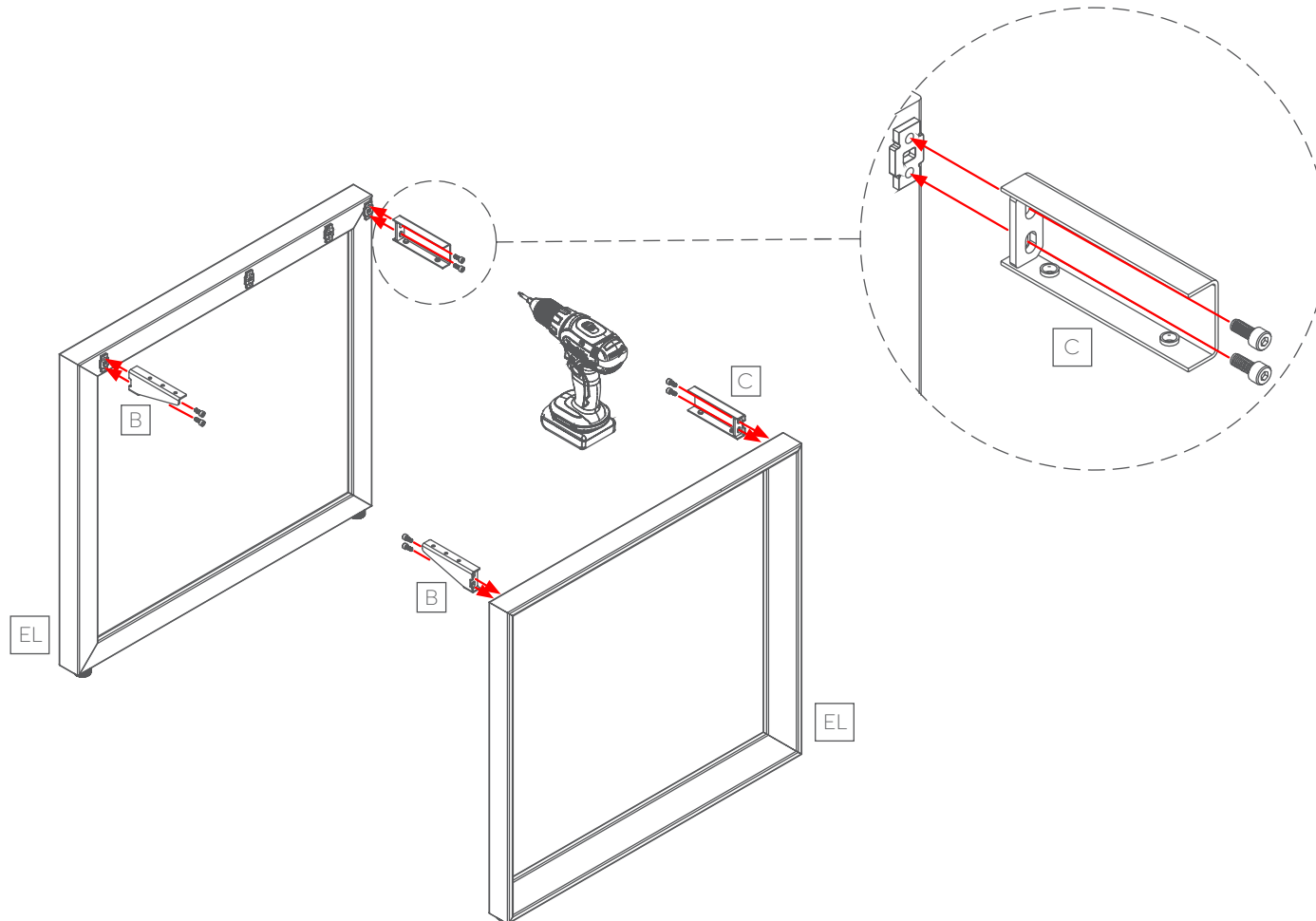
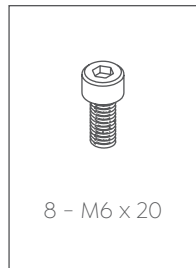


8 - ST5 x 70

Anvil 2-User Single Sided Workspace

Assembly Instructions

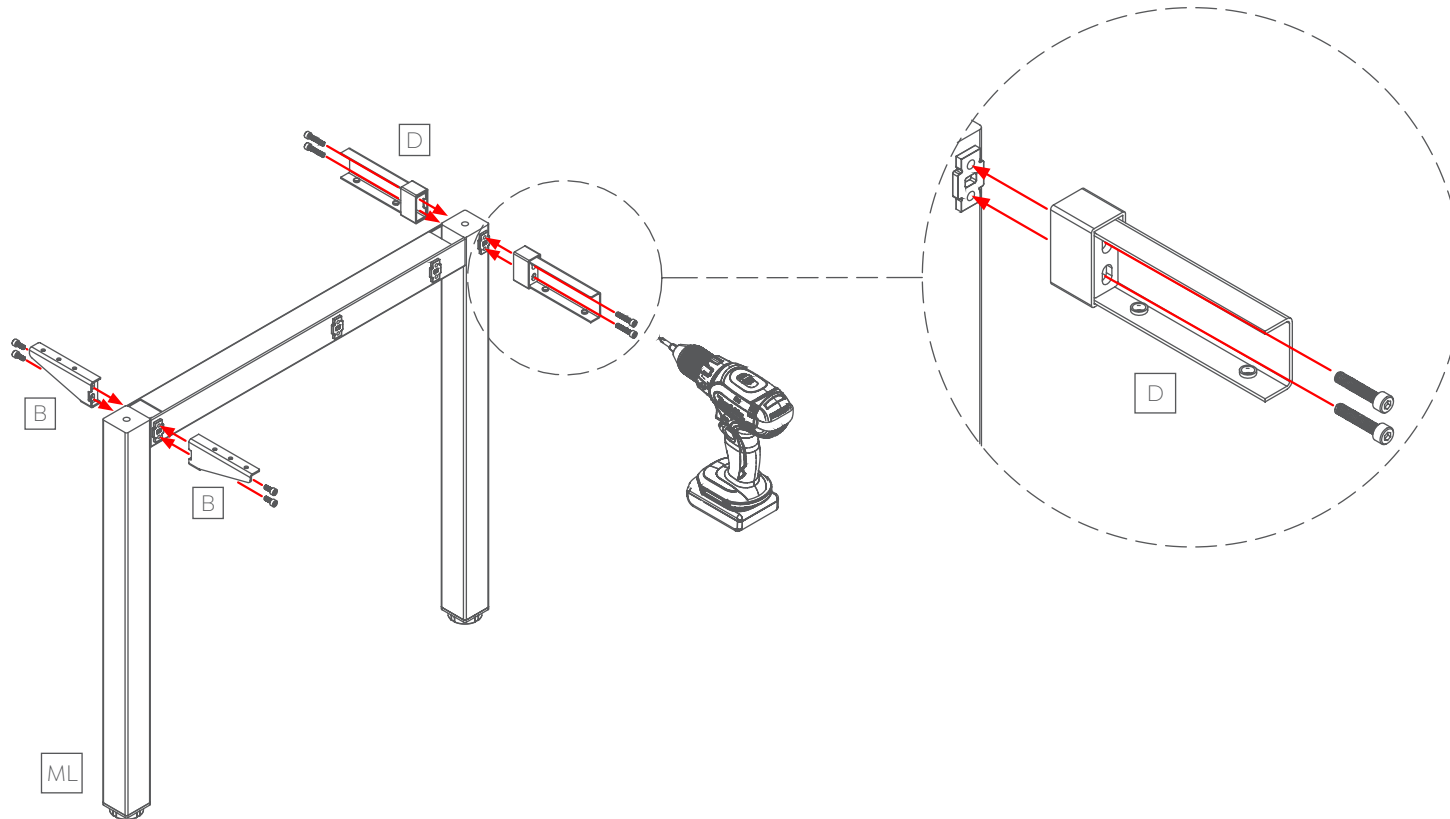
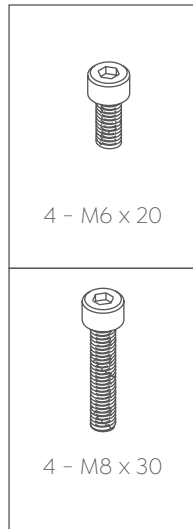
STEP 1:



Anvil 2-User Single Sided Workspace

Assembly Instructions

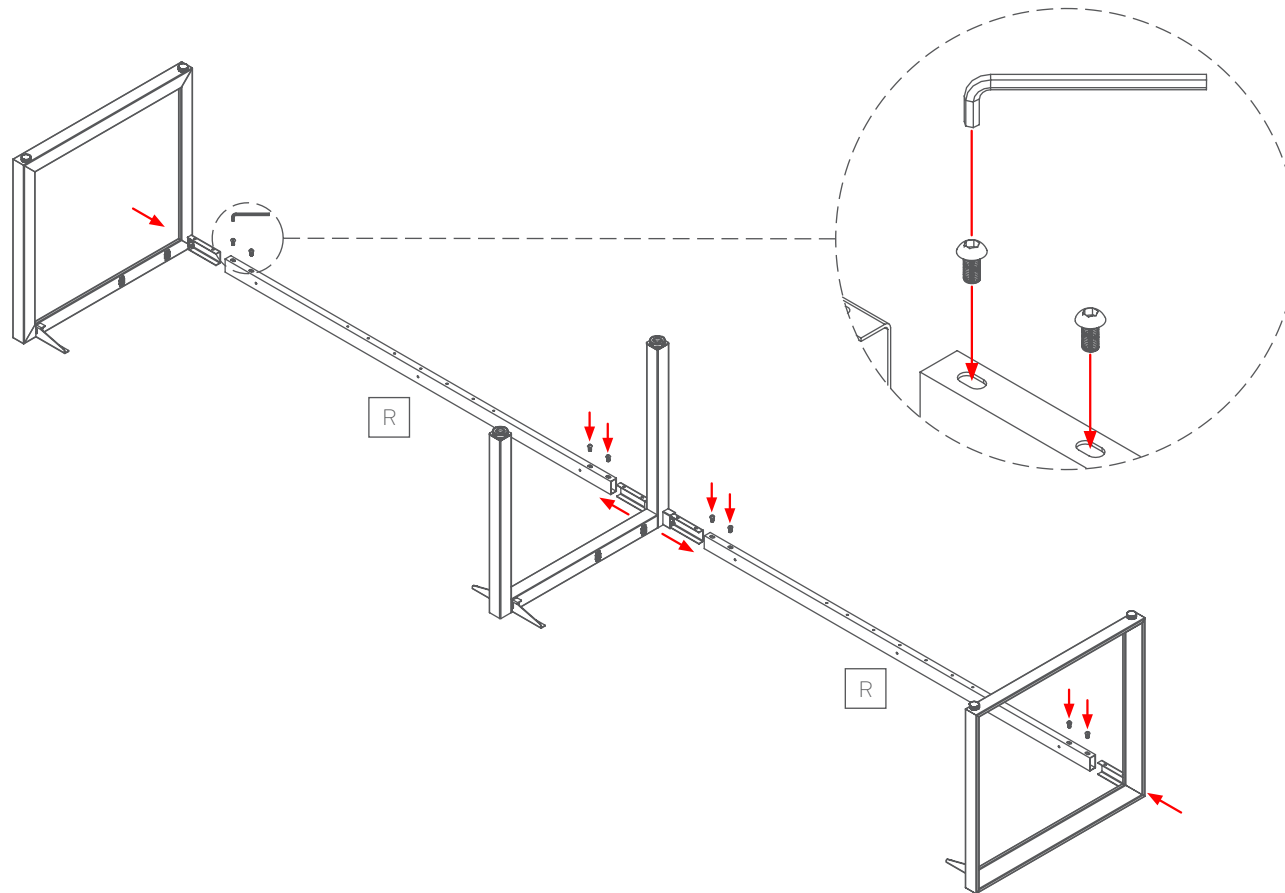
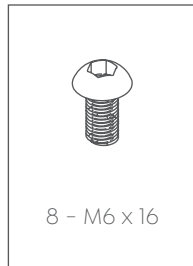
STEP 2:



Anvil 2-User Single Sided Workspace

Assembly Instructions

STEP 3:



Anvil 2-User Single Sided Workspace

Assembly Instructions

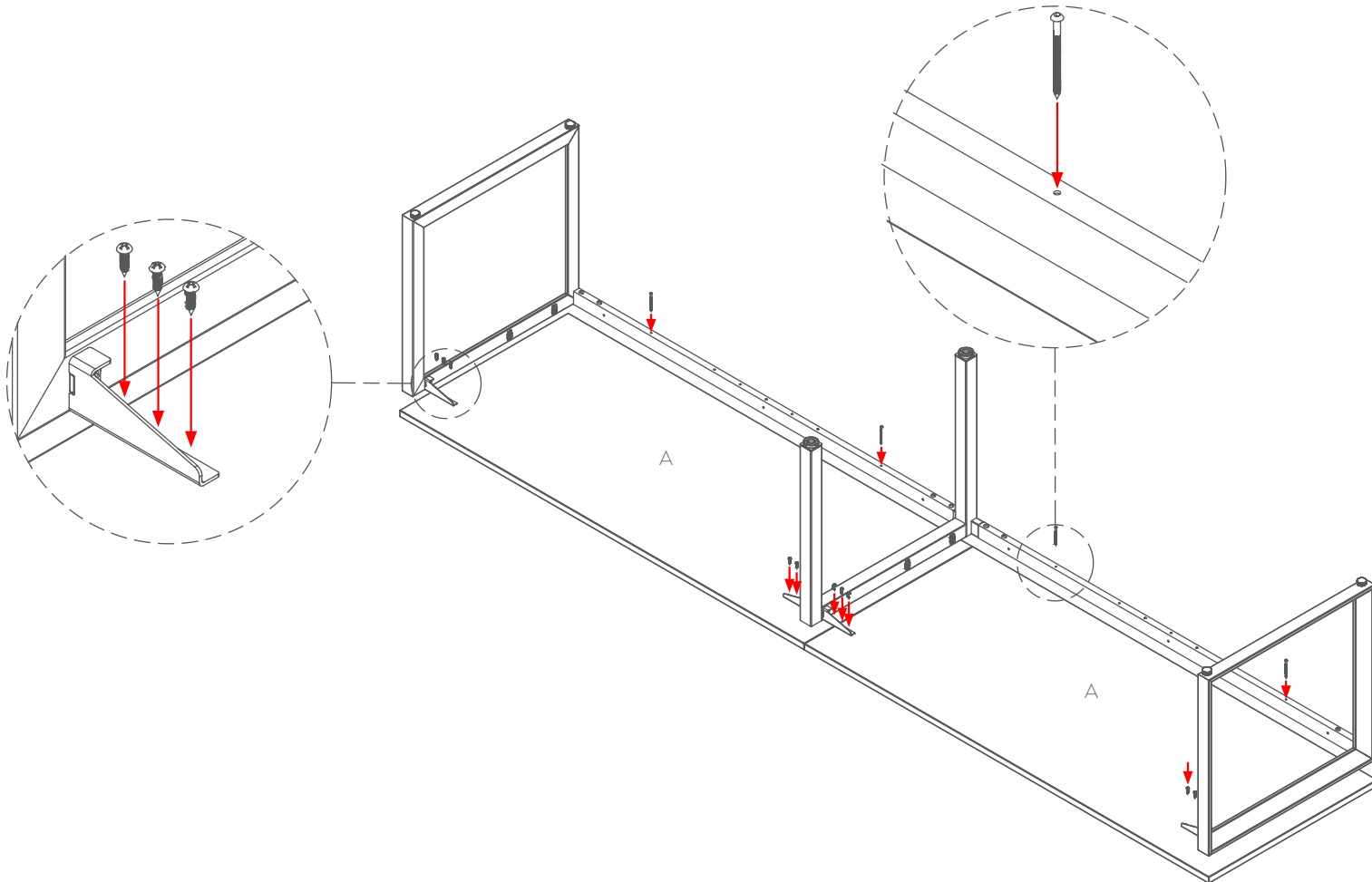
STEP 4:



12 - ST6 x 23



4 - ST5 x 70



Anvil 2-User Single Sided Workspace

Assembly Instructions

Complete:

