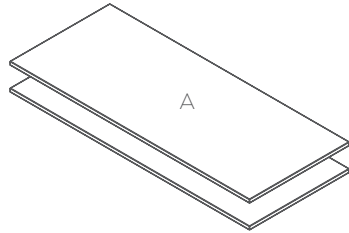


Anvil 3-User Single Sided Workspace

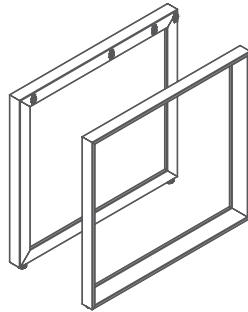
Assembly Instructions

Anvil 3-User Single Sided Workspace

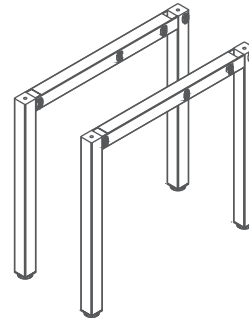
Components List



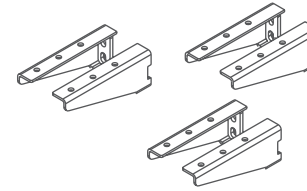
Axis Worktop



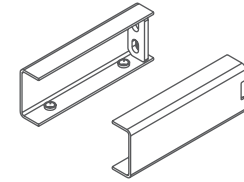
1 x L & R Leg Pair



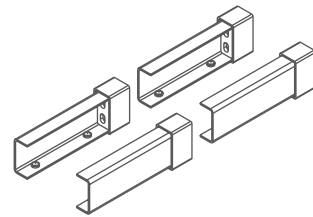
2 x Mid Leg



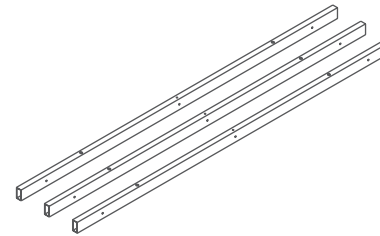
3 x Pair AXKDBRAC



1 x Pair AXKDSPIGE



2 x Pair AXKDSPIGE



3 x Rail



16 - M6 x 20



8 - M8 x 30



12 - M8 x 16



18 - ST6 x 23

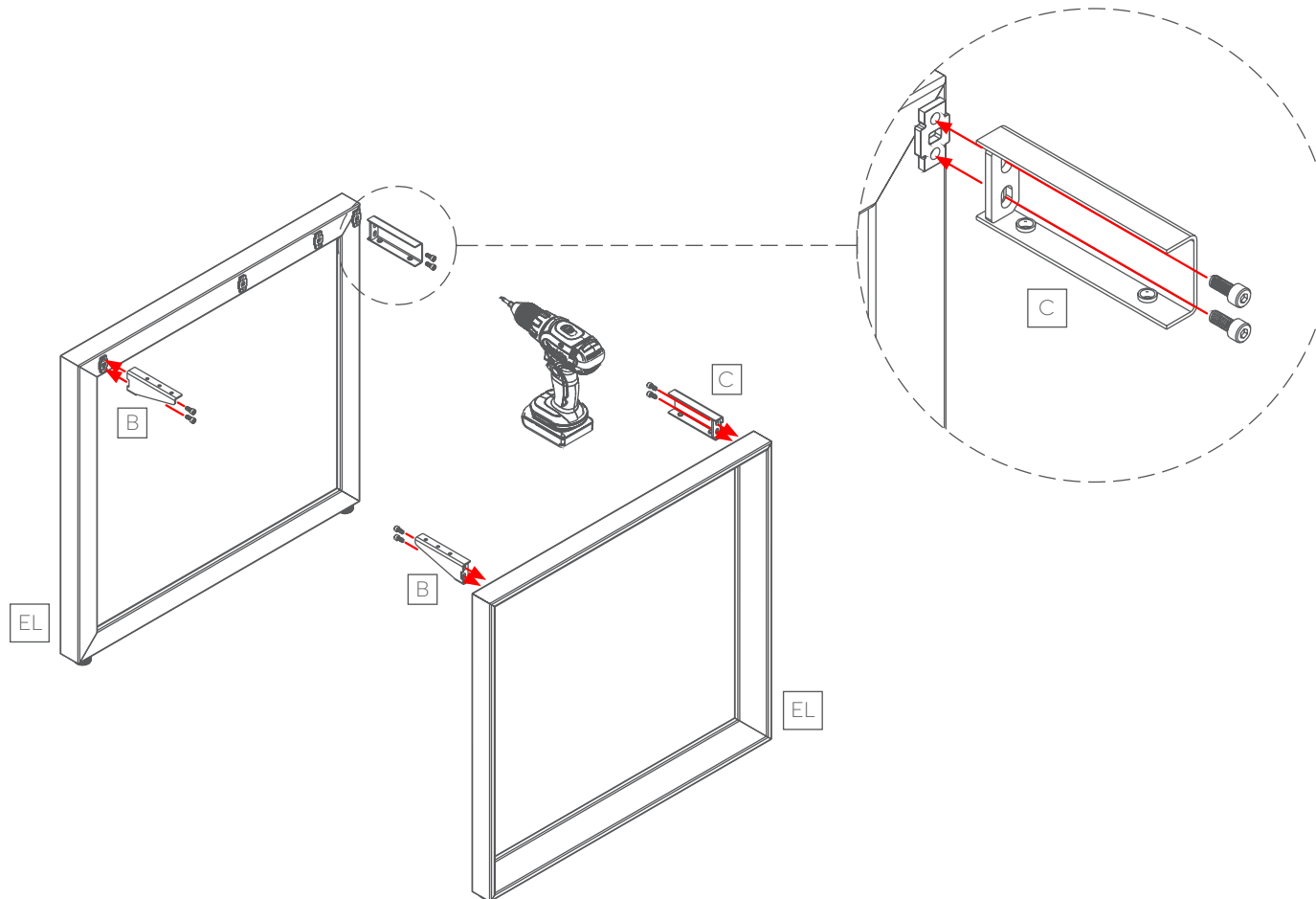
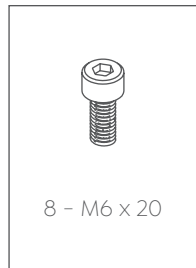


10 - ST5 x 70

Anvil 3-User Single Sided Workspace

Assembly Instructions

STEP 1:



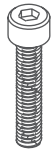
Anvil 3-User Single Sided Workspace

Assembly Instructions

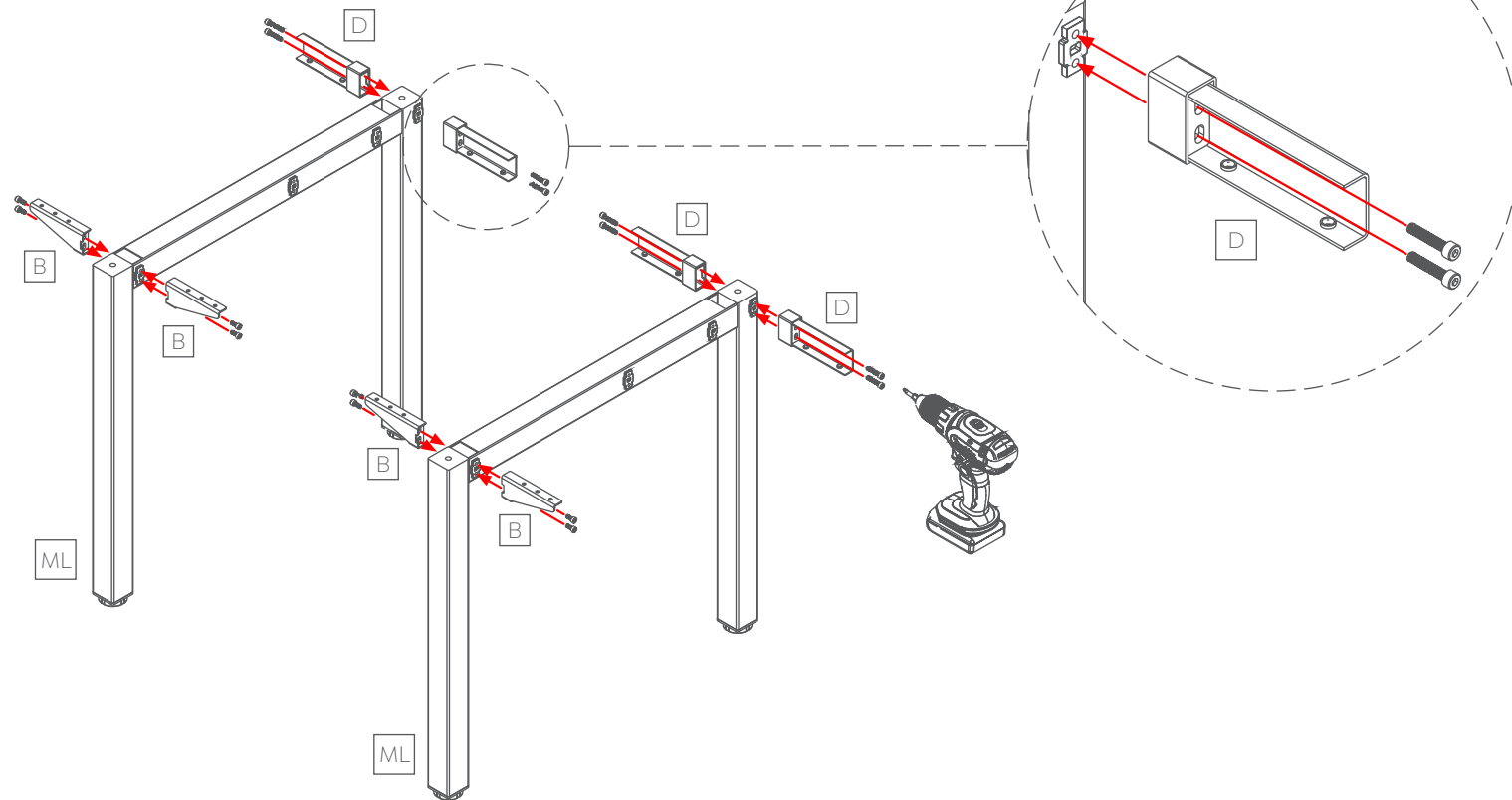
STEP 2:



8 - M6 x 20



8 - M8 x 30



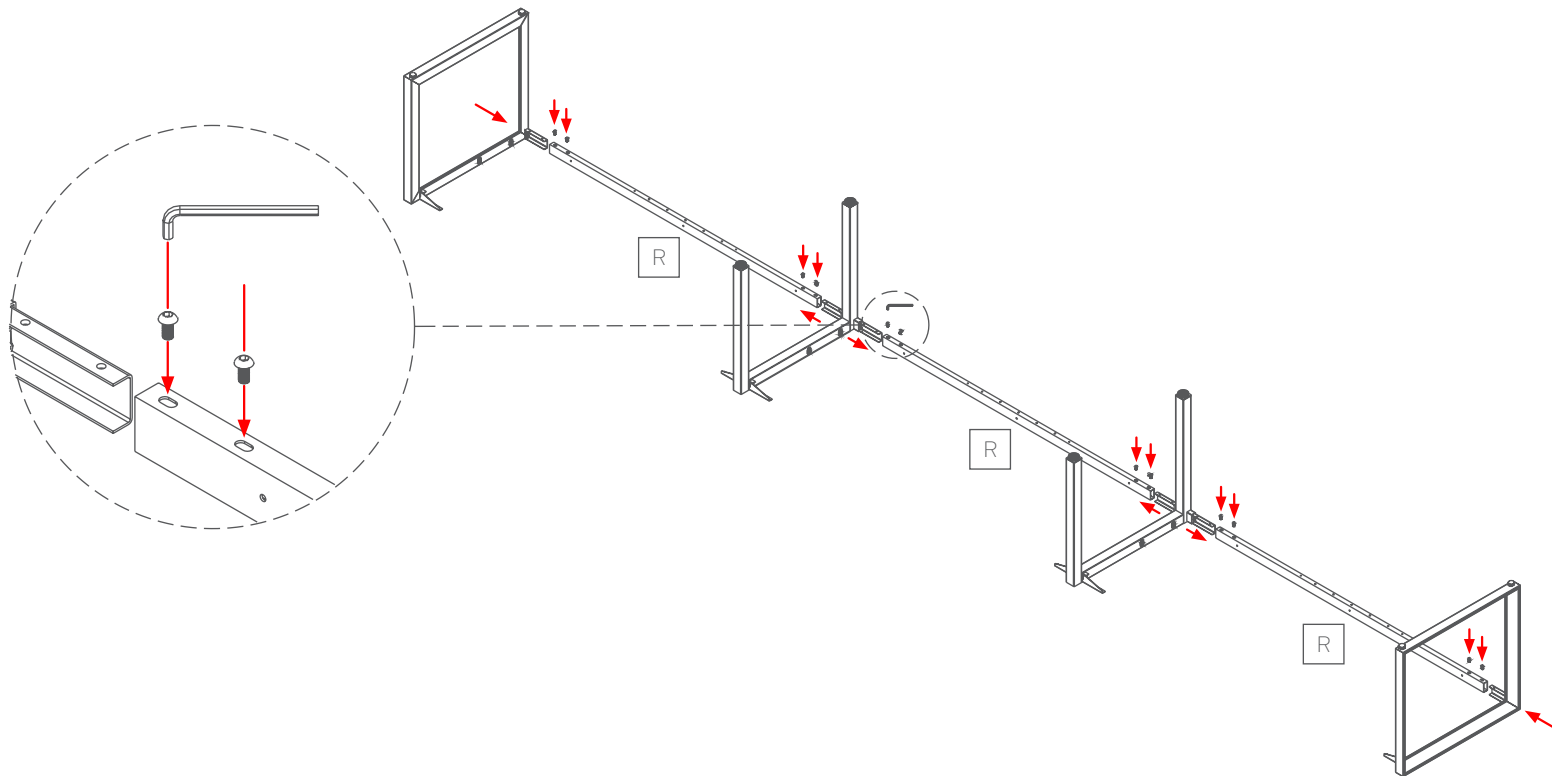
Anvil 3-User Single Sided Workspace

Assembly Instructions

STEP 3:



12 - M6 x 16



Anvil 3-User Single Sided Workspace

Assembly Instructions

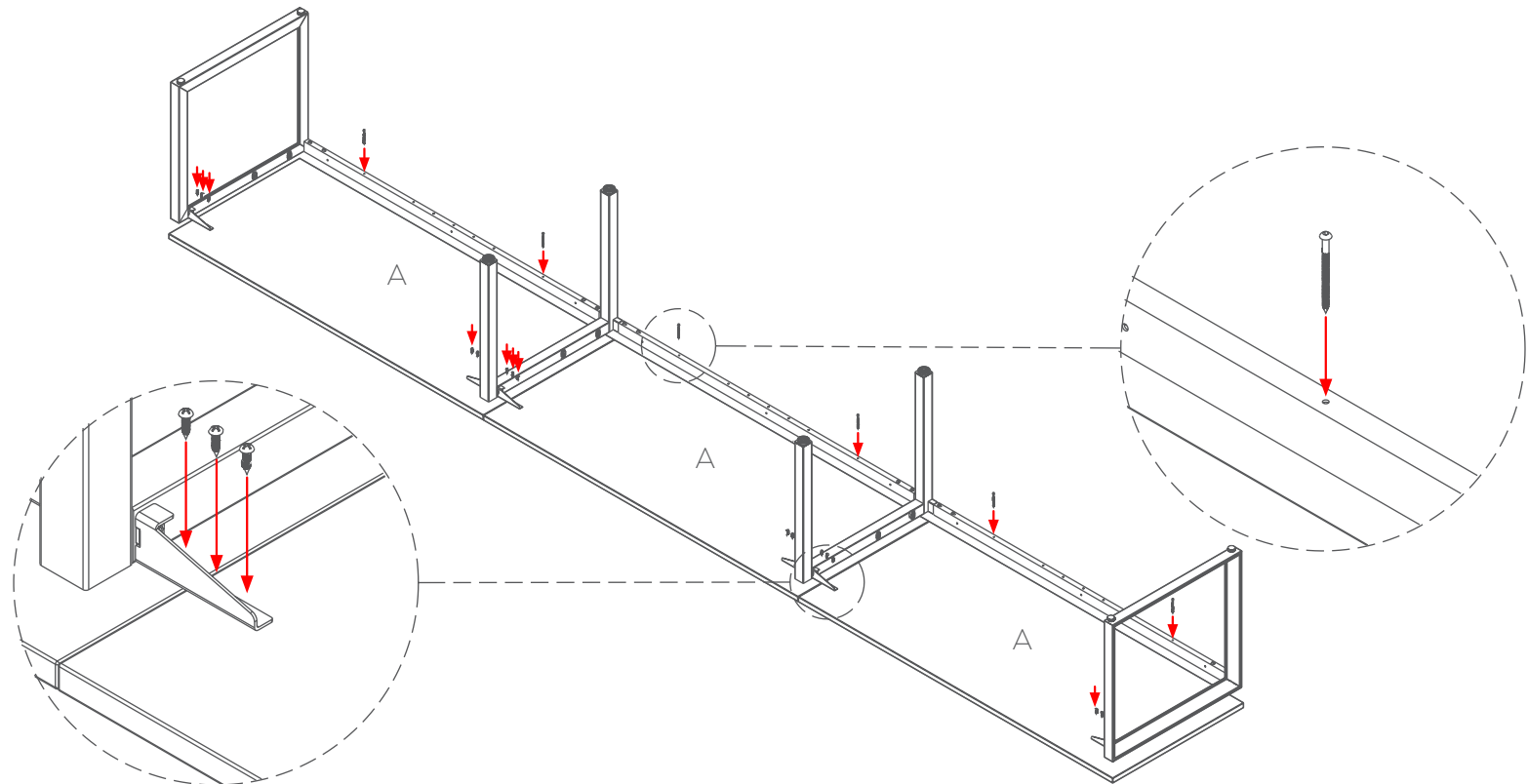
STEP 4:



18 - ST6 x 23



6 - ST5 x 70



Anvil 3-User Single Sided Workspace

Assembly Instructions

Complete:

