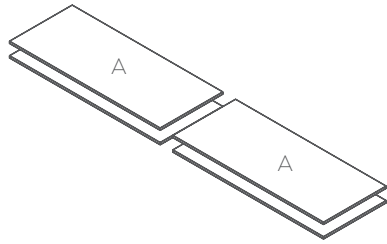


Anvil 4-User Double Sided Workspace

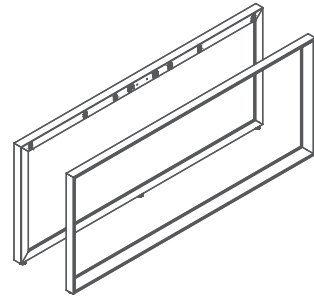
Assembly Instructions

Anvil 4-User Double Sided Workspace

Components List

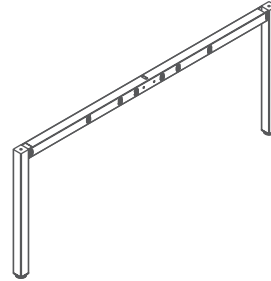


Axis Worktop



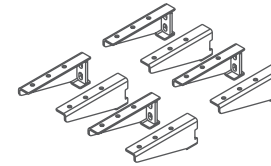
1 x L & R Leg Pair

EL



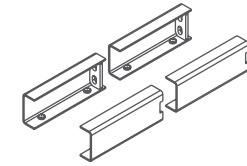
1 x L & R Leg Pair

EL



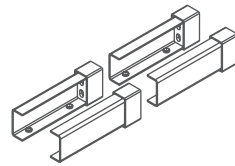
4 x Pair AXKDBRAC

B



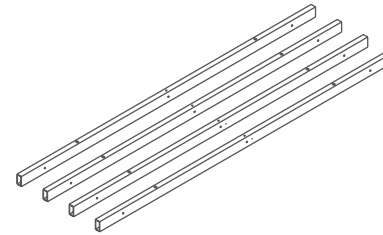
2 x Pair AXKDSPIGE

C



2 x Pair AXKDSPIGE

D



4 x Rail

R



16 - M6 x 20



8 - M6 x 30



16 - M8 x 16



24 - ST6 x 23

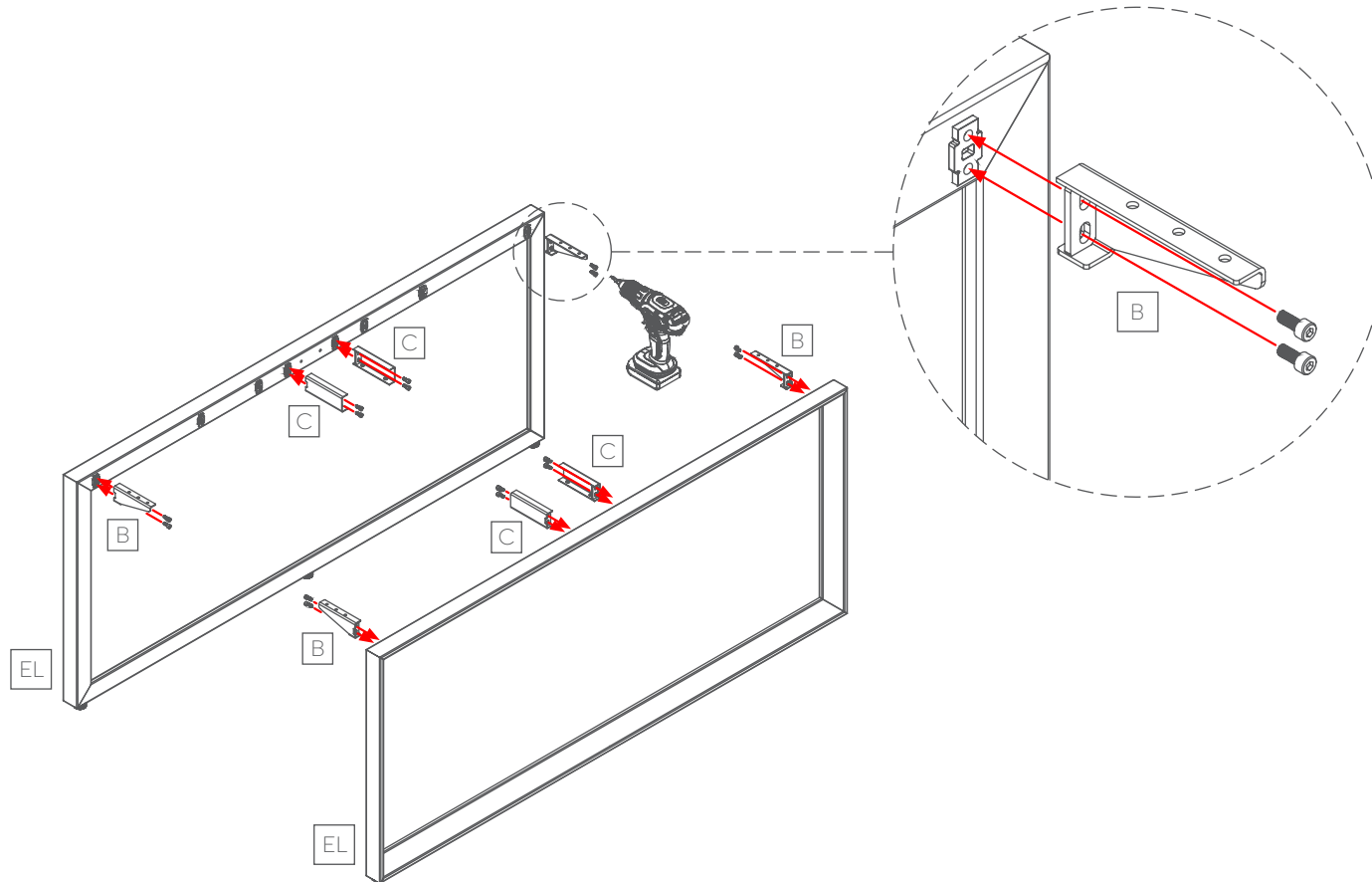
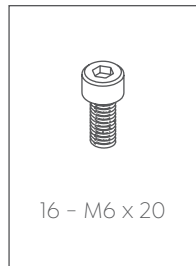


12 - ST5 x 70

Anvil 4-User Double Sided Workspace

Assembly Instructions

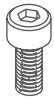
STEP 1:



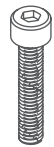
Anvil 4-User Double Sided Workspace

Assembly Instructions

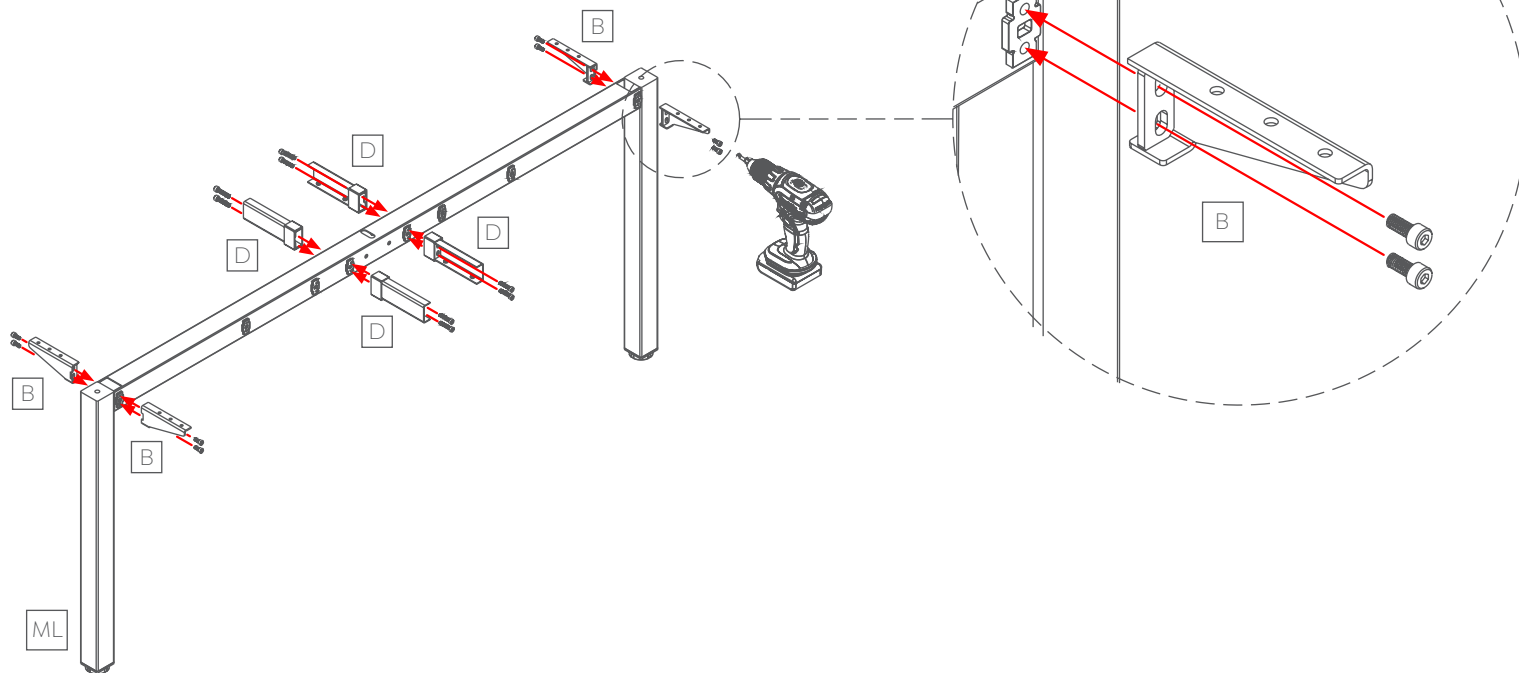
STEP 2:



8 - M6 x 20



8 - M6 x 30



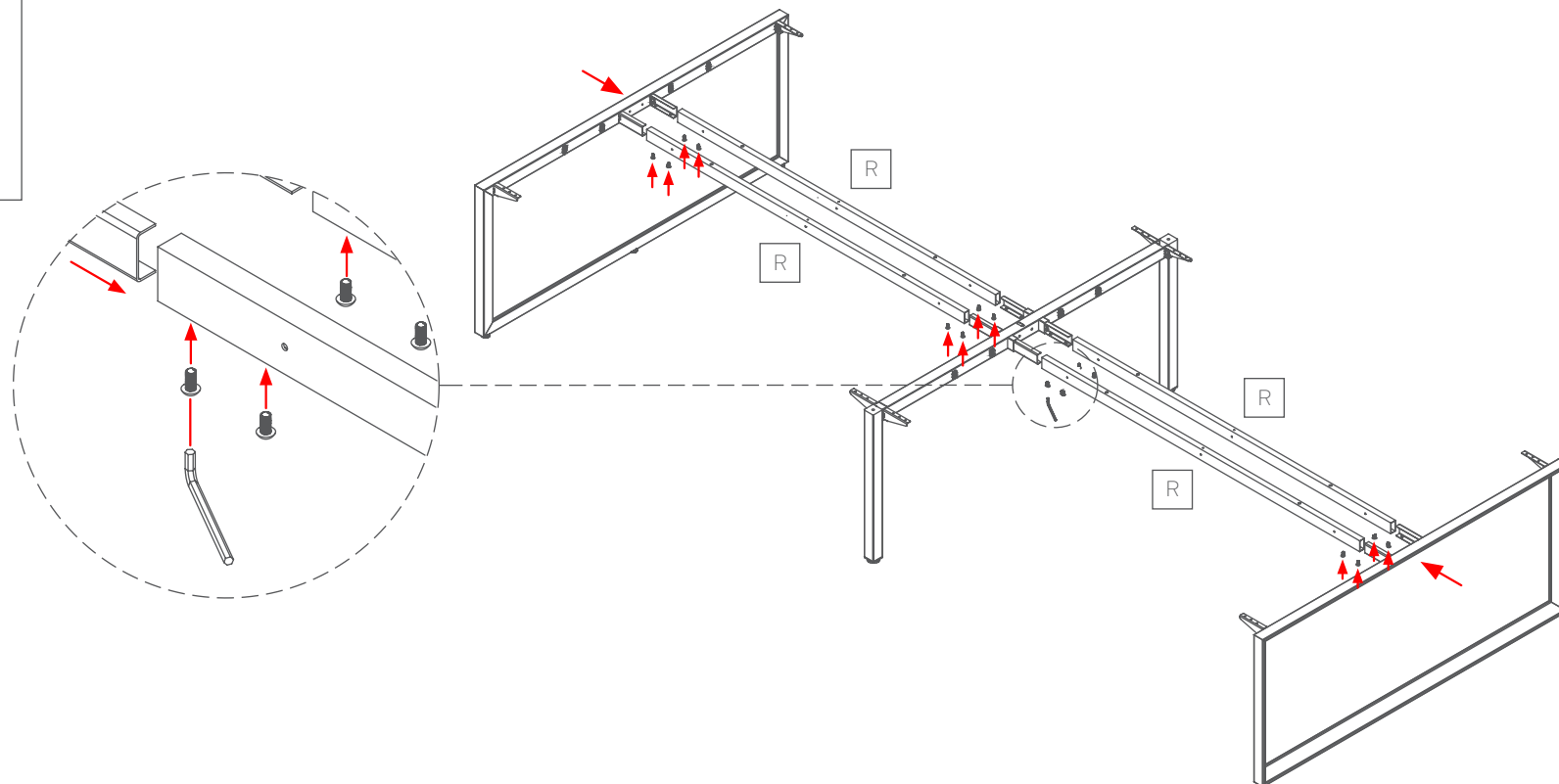
Anvil 4-User Double Sided Workspace

Assembly Instructions

STEP 3:



16 - M8 x 16



Anvil 4-User Double Sided Workspace

Assembly Instructions

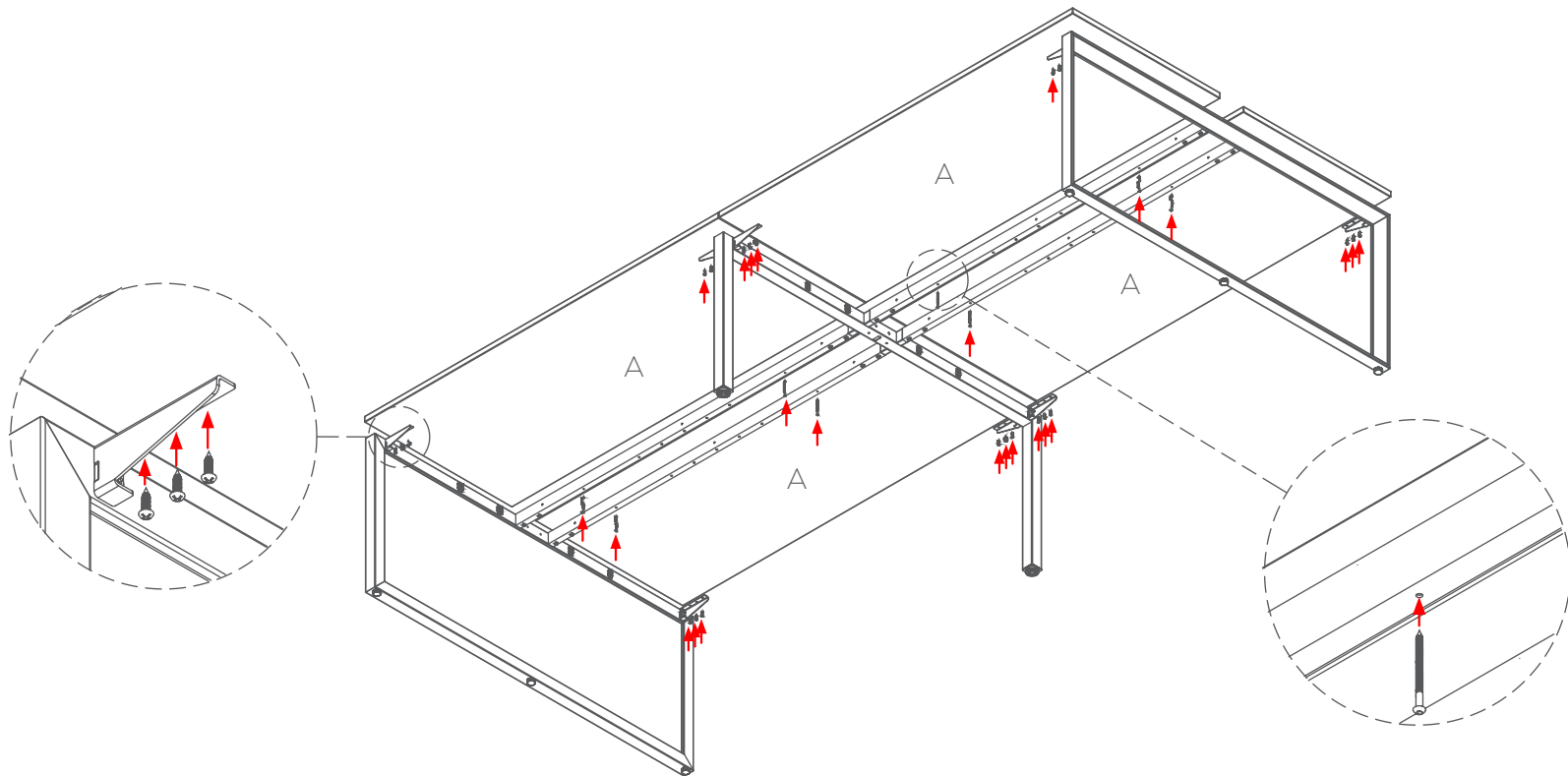
STEP 4:



24 - ST6 x 23



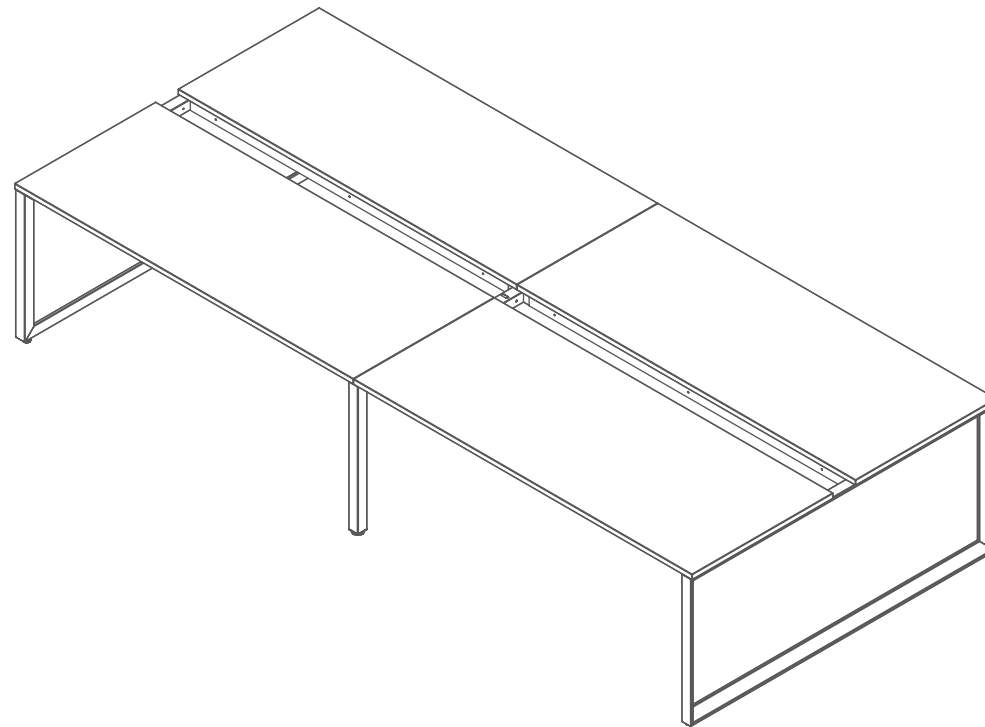
8 - ST5 x 70



Anvil 4-User Double Sided Workspace

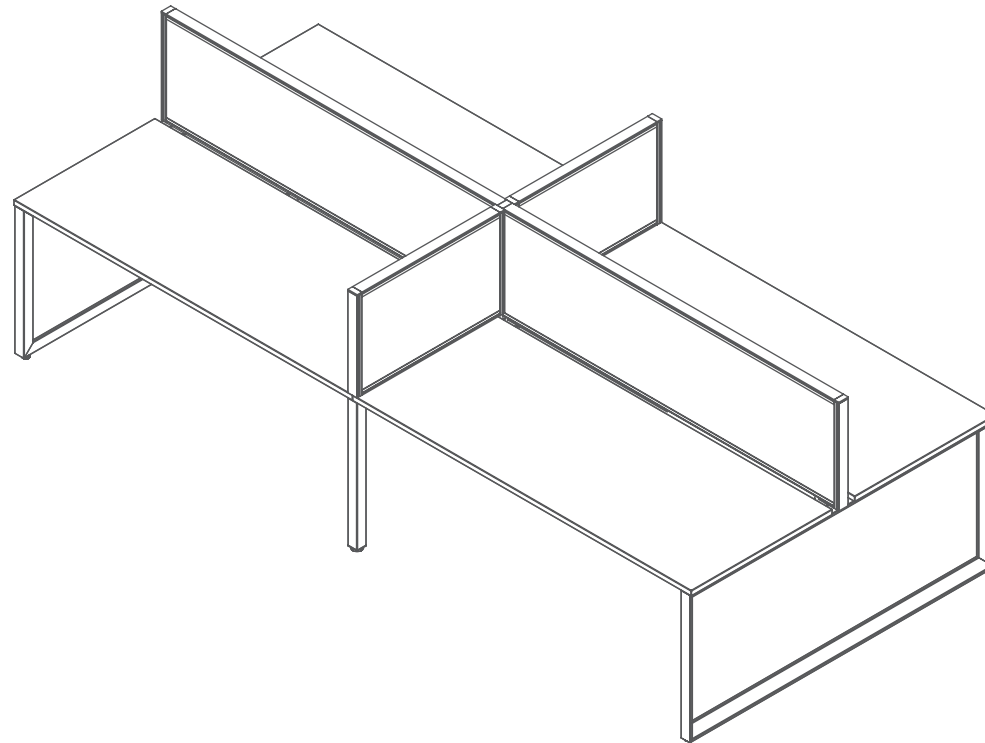
Assembly Instructions

Complete:



Optional Studio50 Desk Mounted Screen

Assembly Instructions

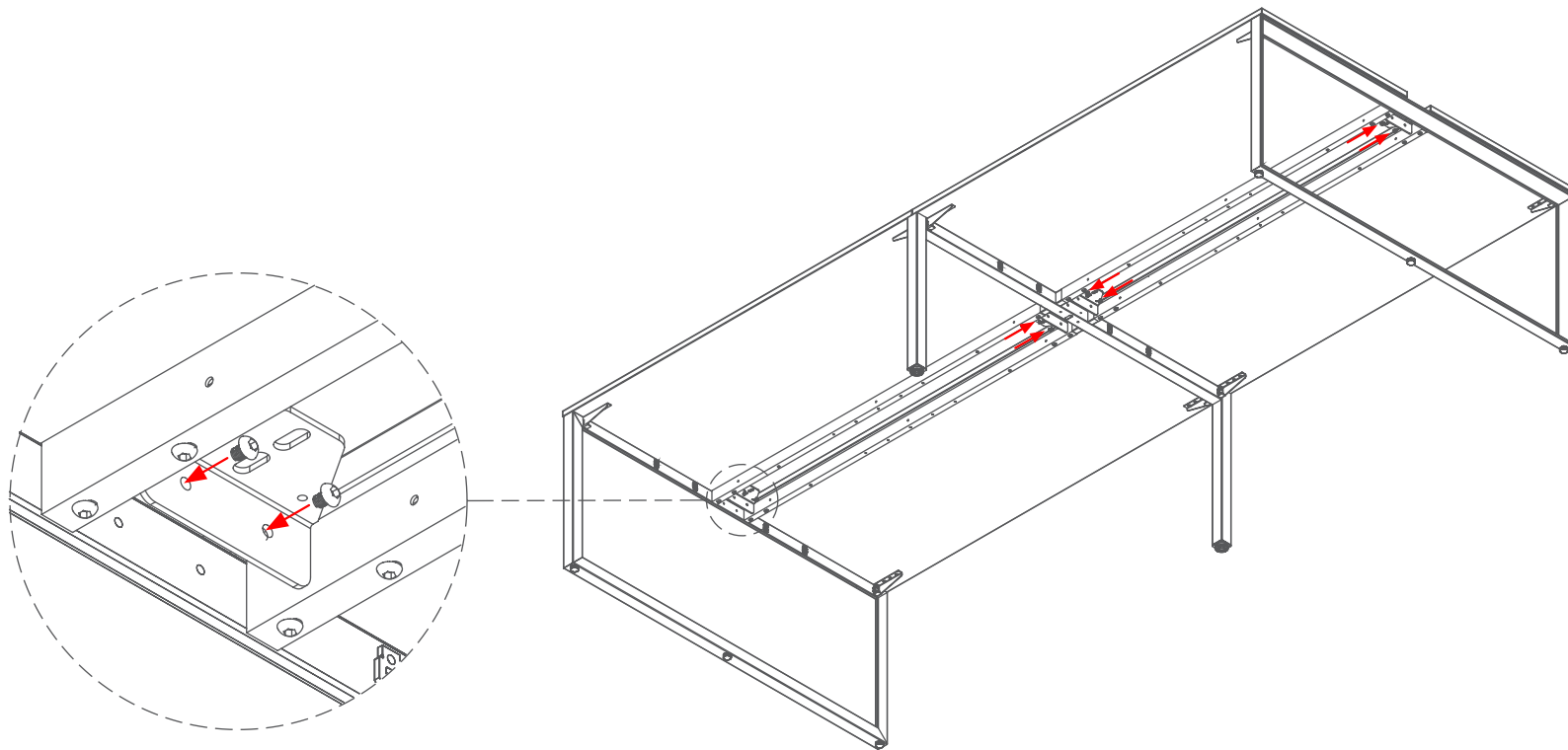


Studio50
Screens are
Australian
Made.

Optional Studio50 Desk Mounted Screen

Assembly Instructions

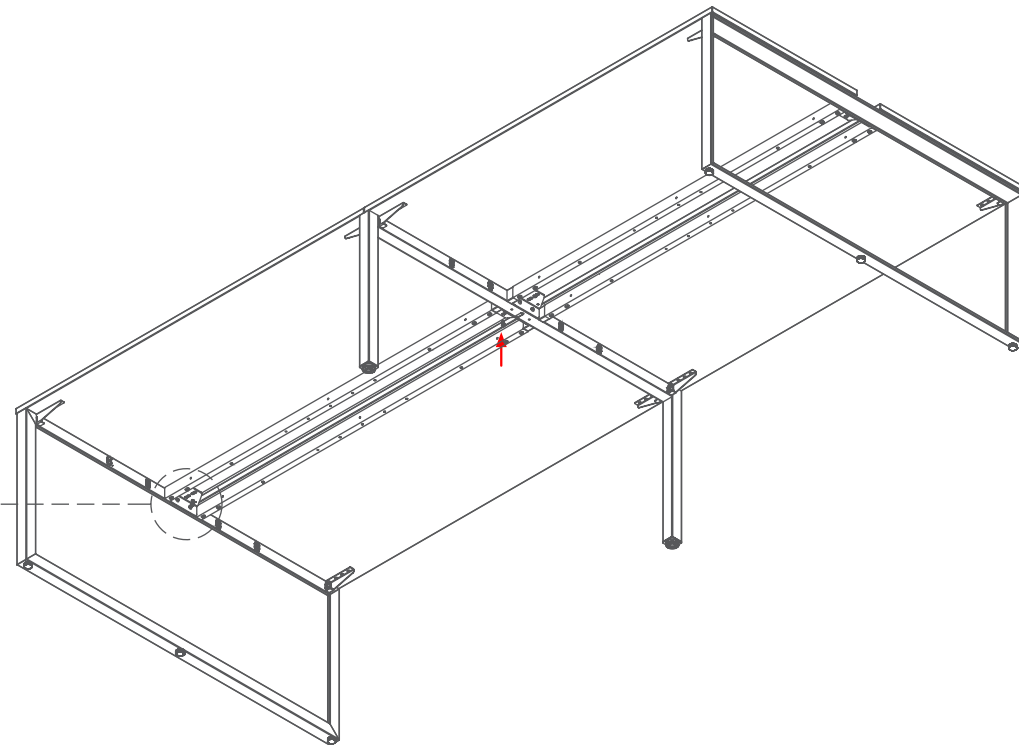
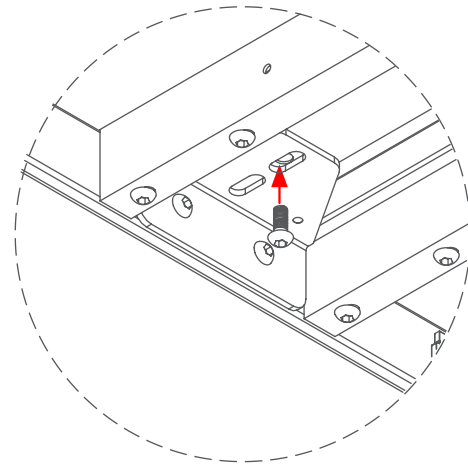
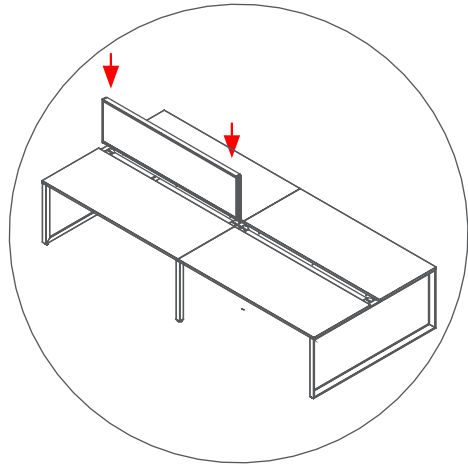
STEP 1:



Optional Studio50 Desk Mounted Screen

Assembly Instructions

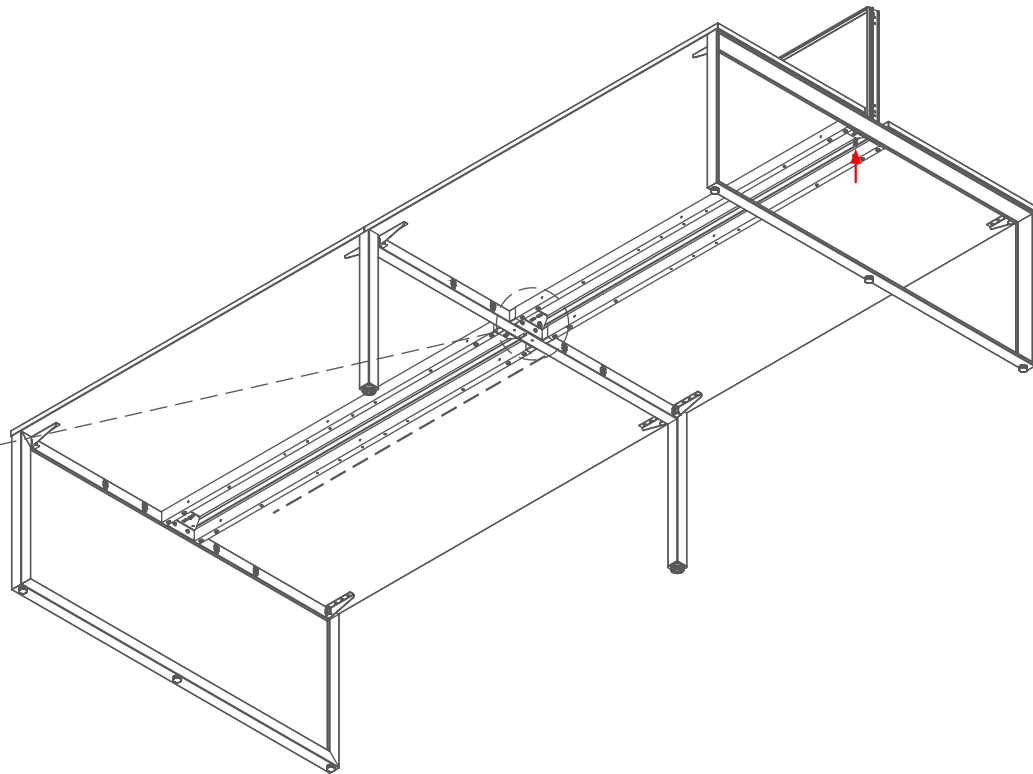
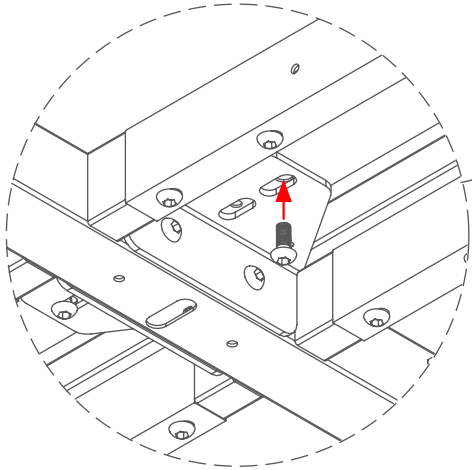
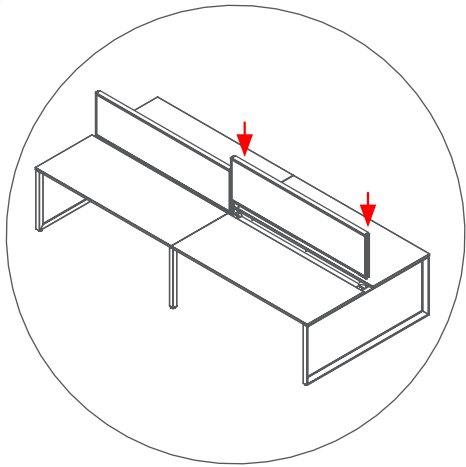
STEP 2:



Optional Studio50 Desk Mounted Screen

Assembly Instructions

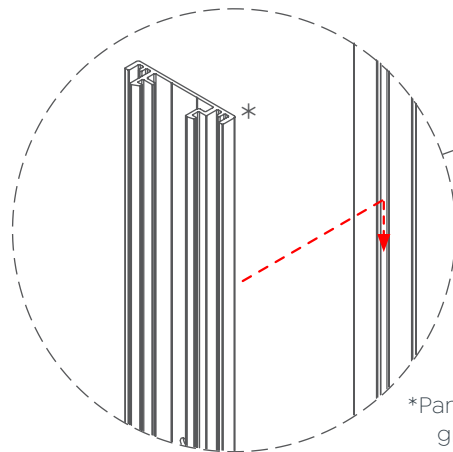
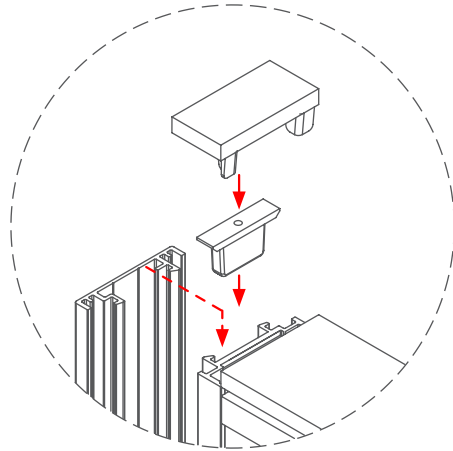
STEP 3:



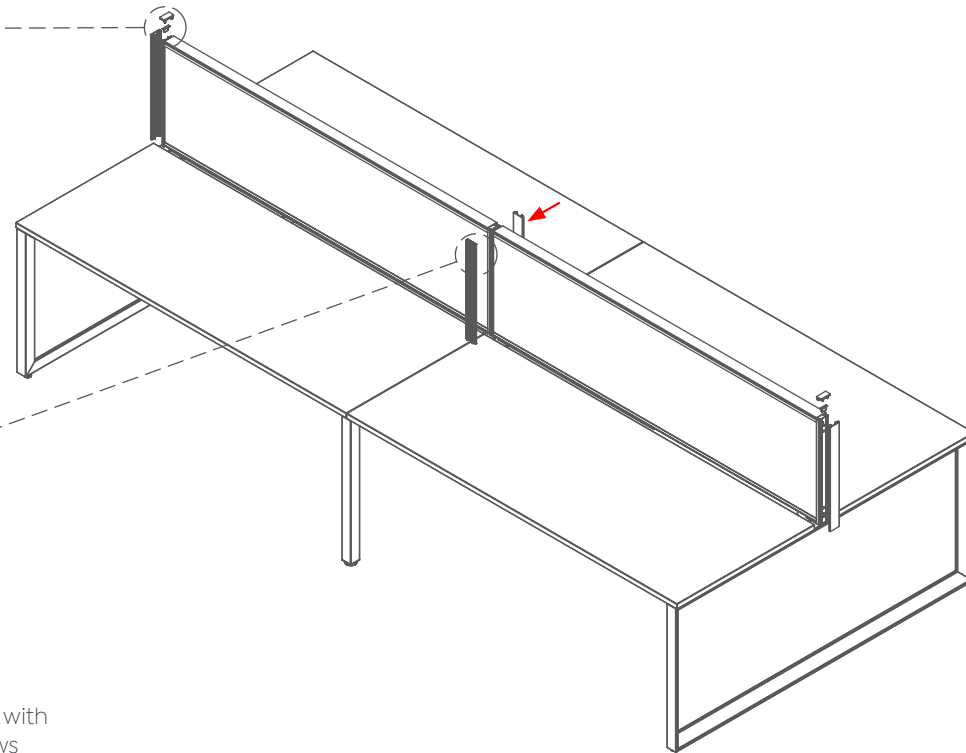
Optional Studio50 Desk Mounted Screen

Assembly Instructions

STEP 4:



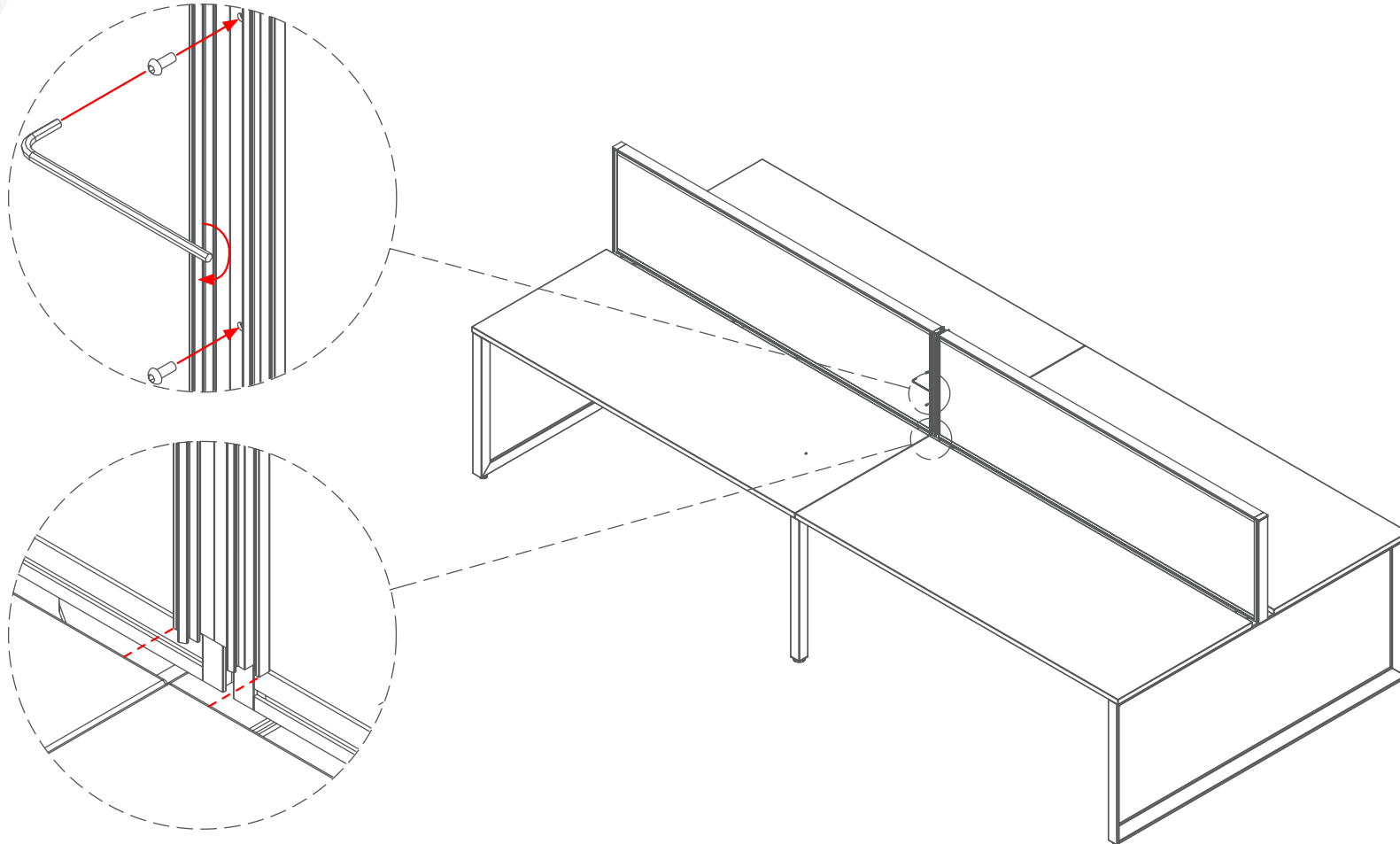
*Panel Finish with grub screws



Optional Studio50 Desk Mounted Screen

Assembly Instructions

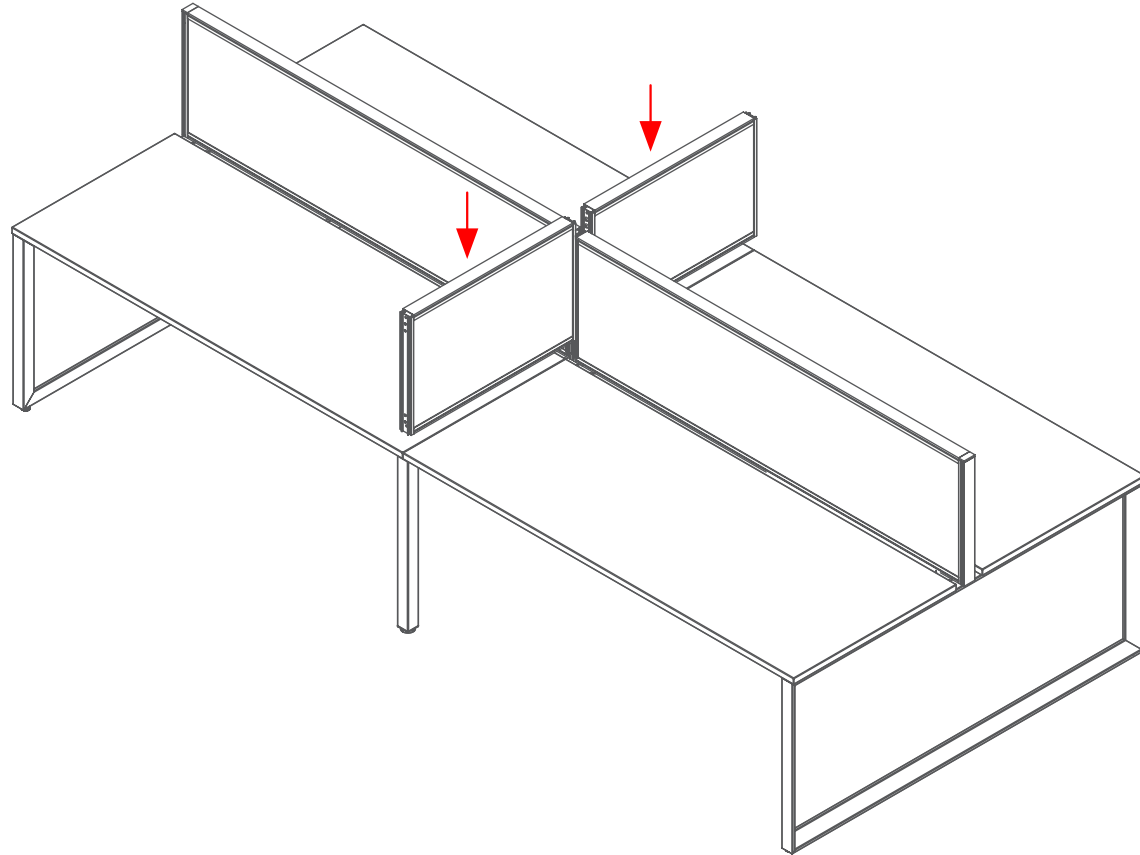
STEP 5:



Optional Studio50 Desk Mounted Screen

Assembly Instructions

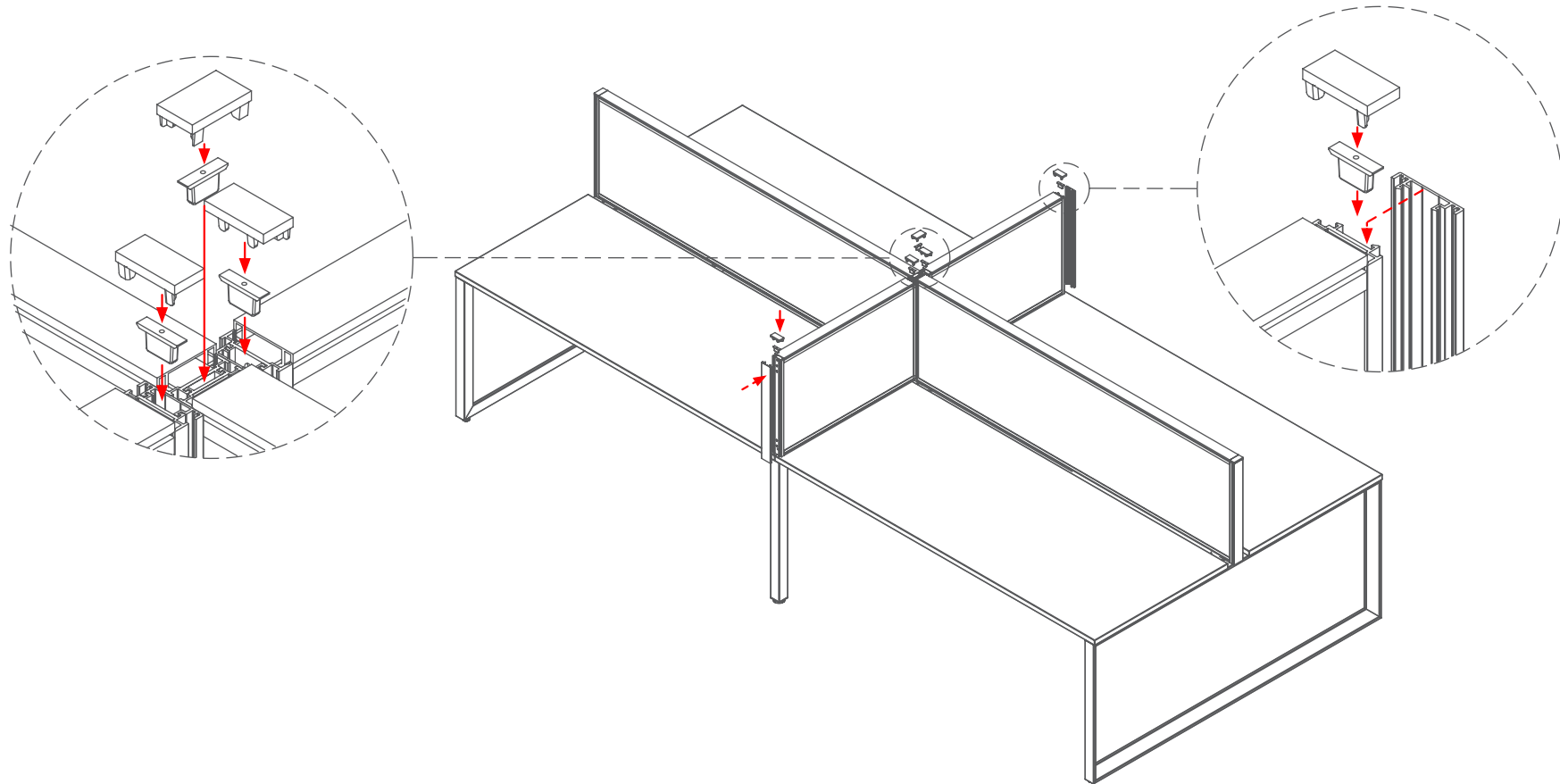
STEP 6:



Optional Studio50 Desk Mounted Screen

Assembly Instructions

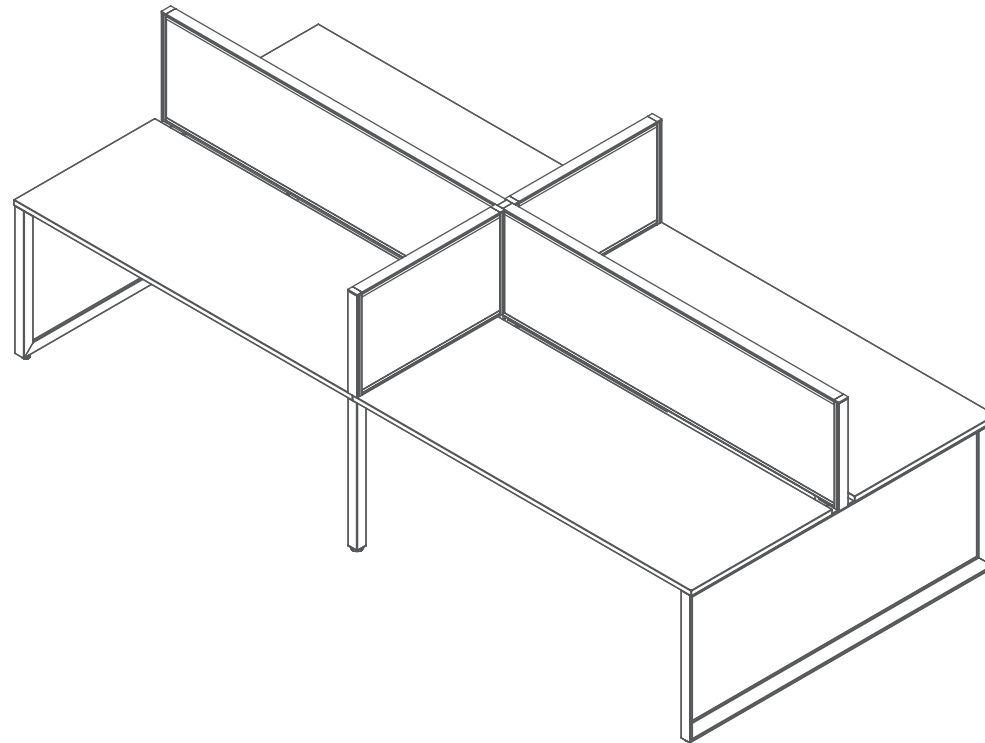
STEP 7:



Optional Studio50 Desk Mounted Screen

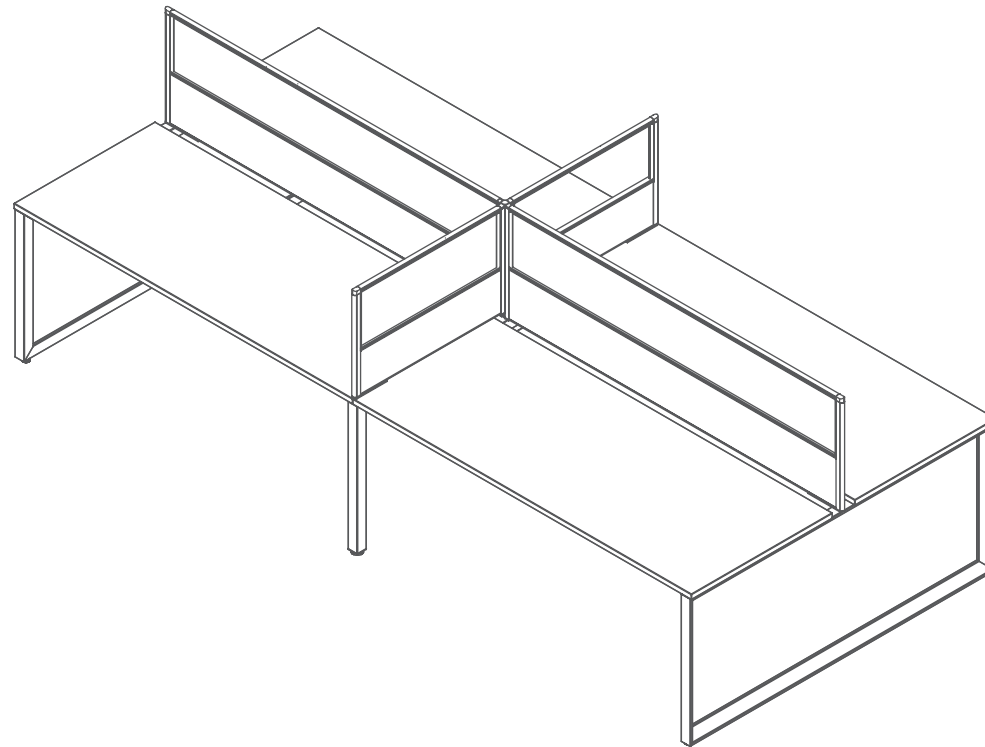
Assembly Instructions

Complete:



Optional 22mm Split Desk Mounted Screen

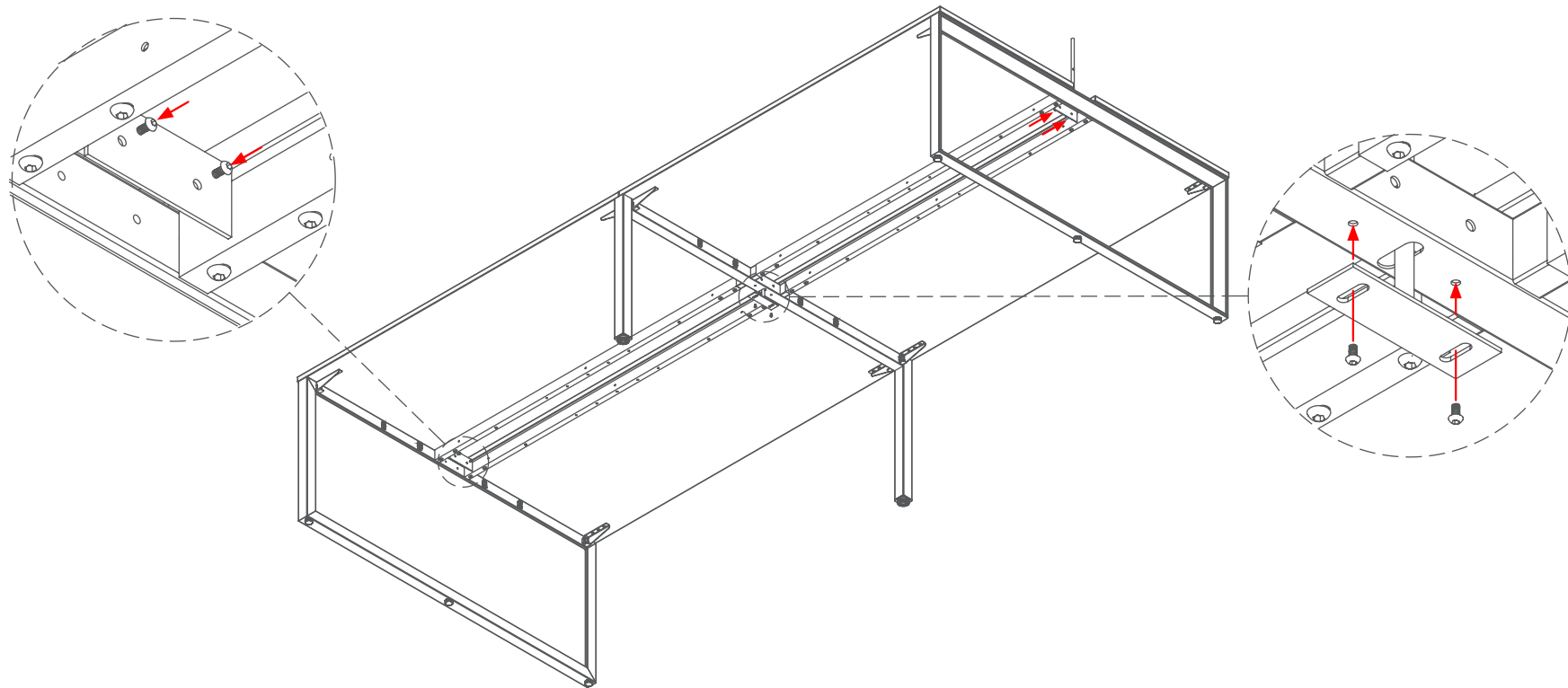
Assembly Instructions



Optional 22mm Split Desk Mounted Screen

Assembly Instructions

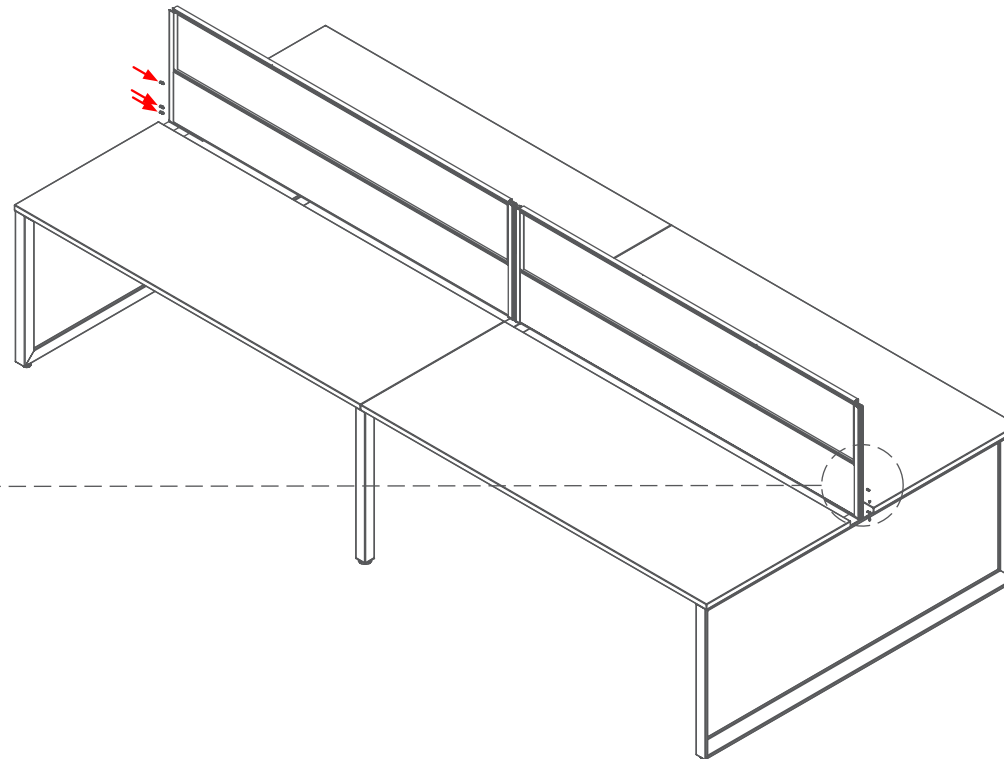
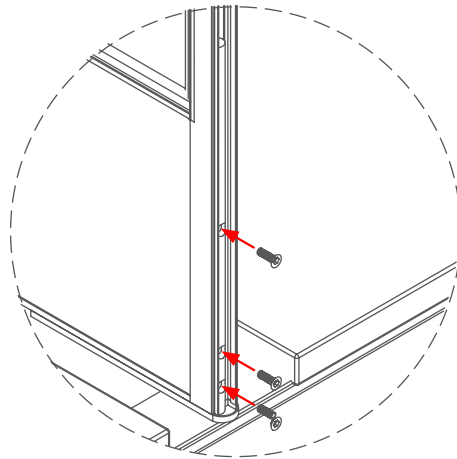
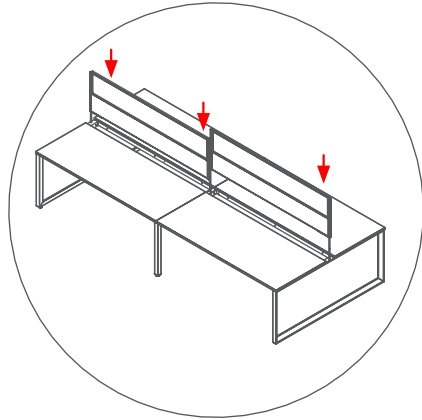
STEP 1:



Optional 22mm Split Desk Mounted Screen

Assembly Instructions

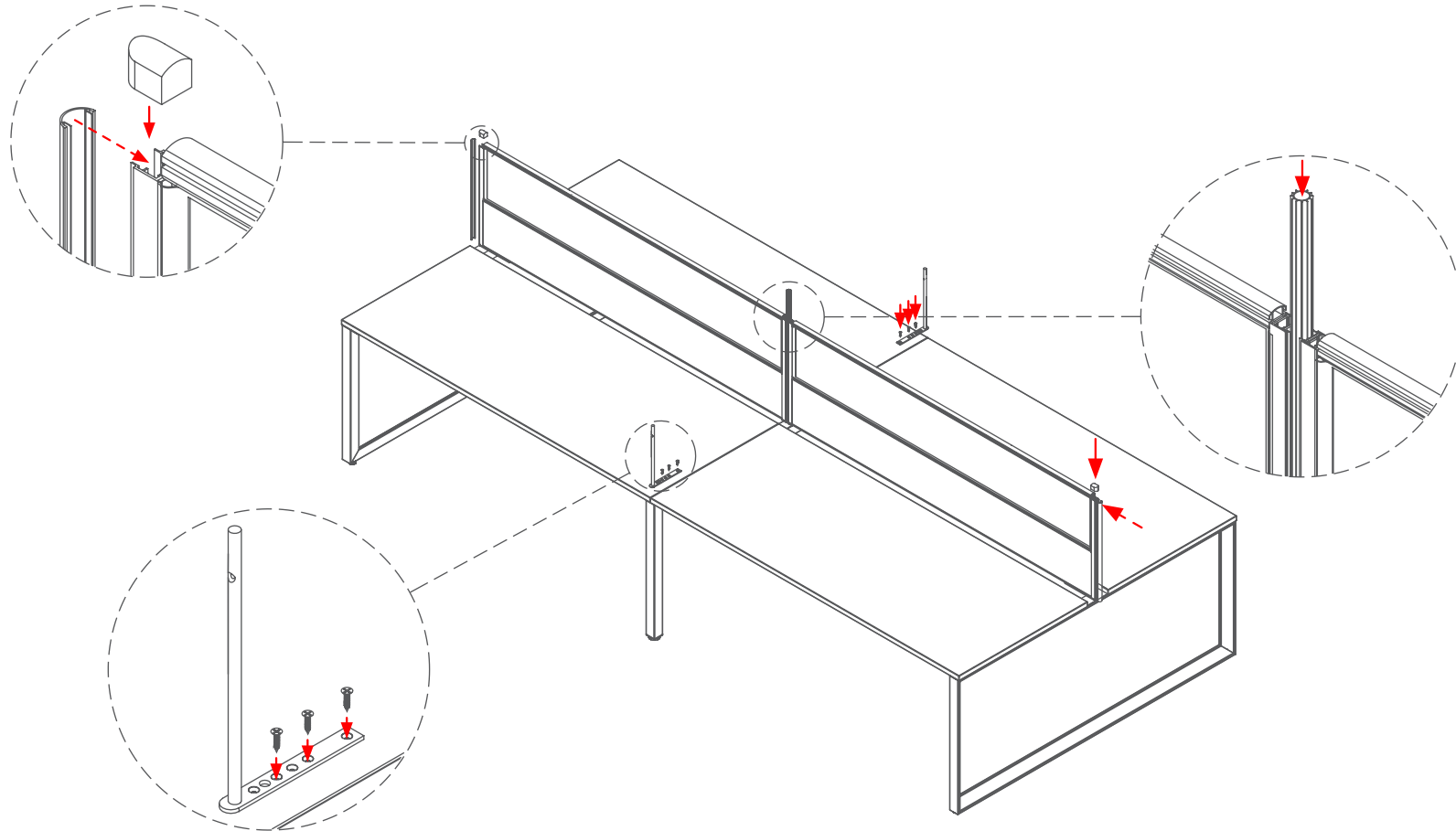
STEP 2:



Optional 22mm Split Desk Mounted Screen

Assembly Instructions

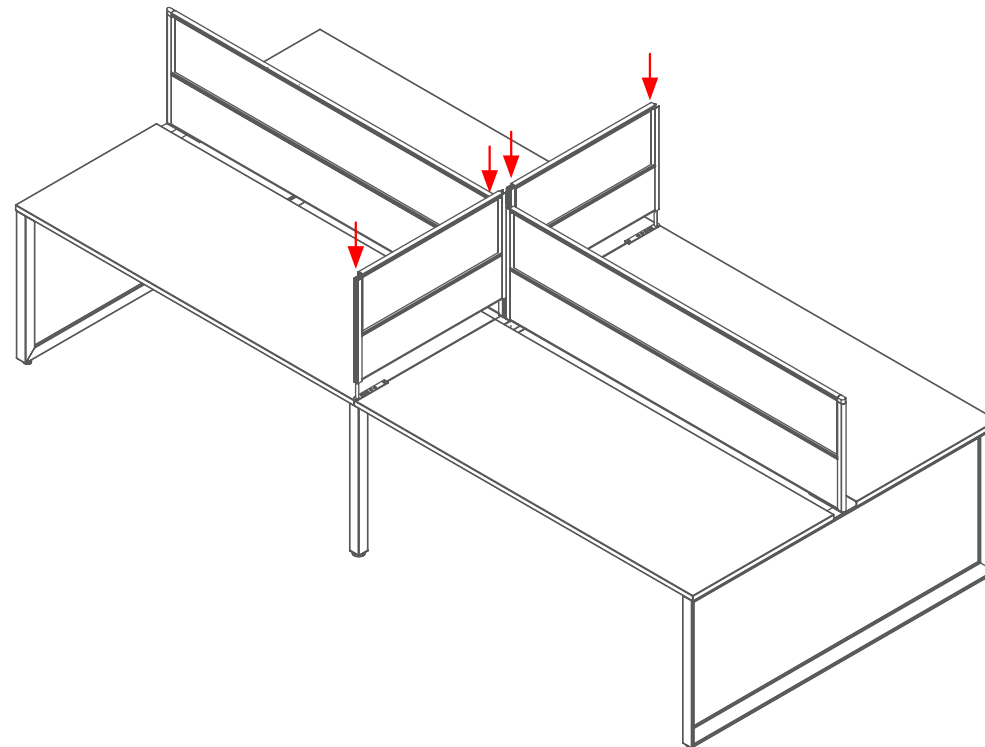
STEP 3:



Optional 22mm Split Desk Mounted Screen

Assembly Instructions

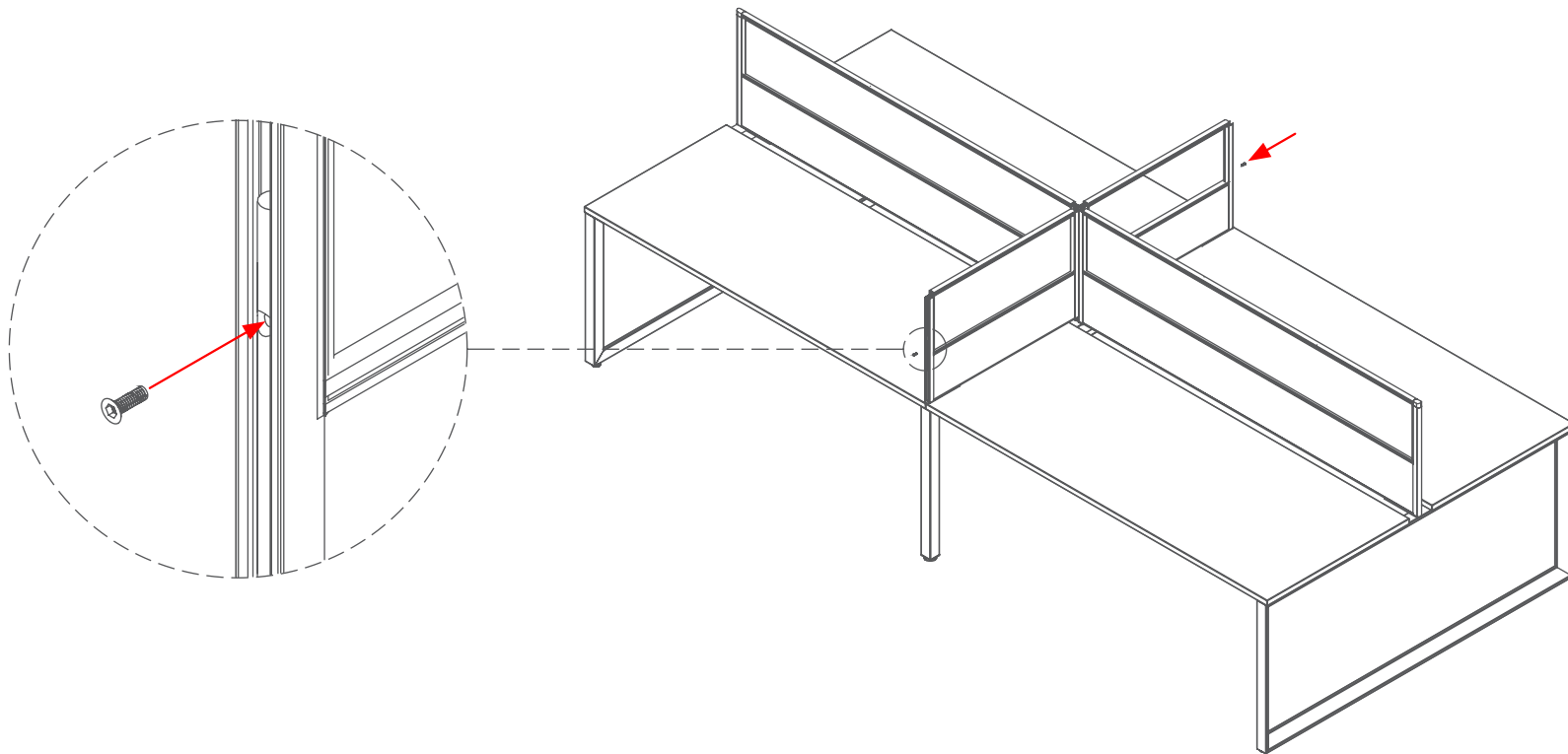
STEP 4:



Optional 22mm Split Desk Mounted Screen

Assembly Instructions

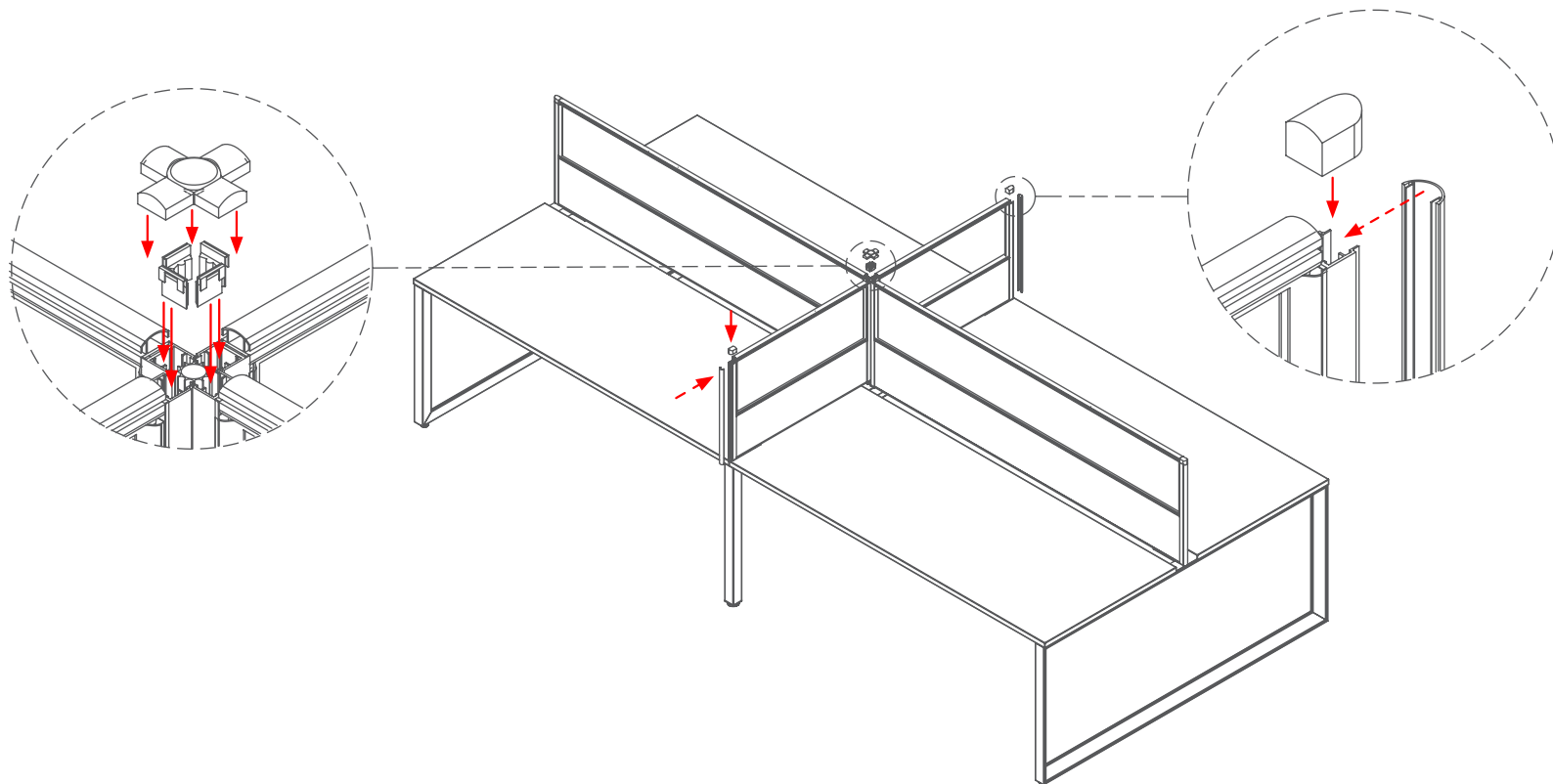
STEP 5:



Optional 22mm Split Desk Mounted Screen

Assembly Instructions

STEP 6:



Optional 22mm Split Desk Mounted Screen

Assembly Instructions

Complete:

