

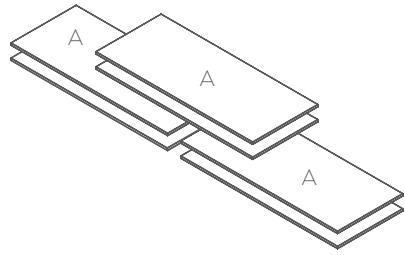
---

## **Anvil 6-User Double Sided Workspace**

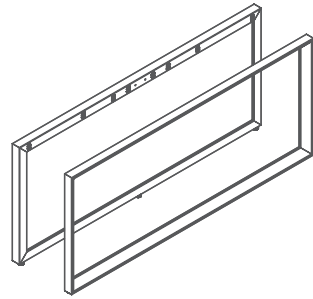
Assembly Instructions

# Anvil 6-User Double Sided Workspace

## Components List

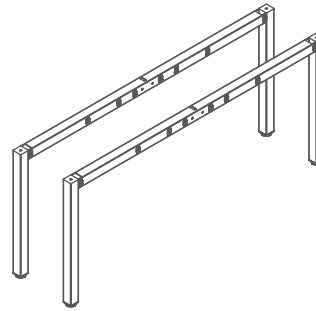


Axis Worktop



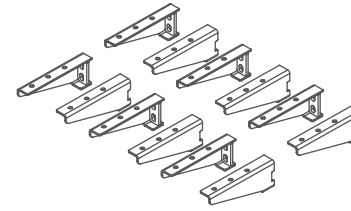
1 x L & R Leg Pair

EL



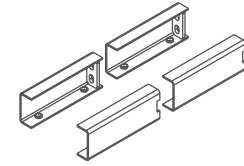
1 x L & R Leg Pair

EL



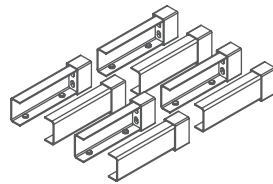
6 x Pair AXKDBRAC

B



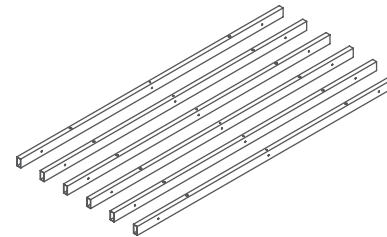
2 x Pair AXKDSPIGE

C



4 x Pair AXKDSPIGE

D



6 x Rail

R



32 - M6 x 20



16 - M6 x 30



24 - M8 x 16



36 - ST6 x 23

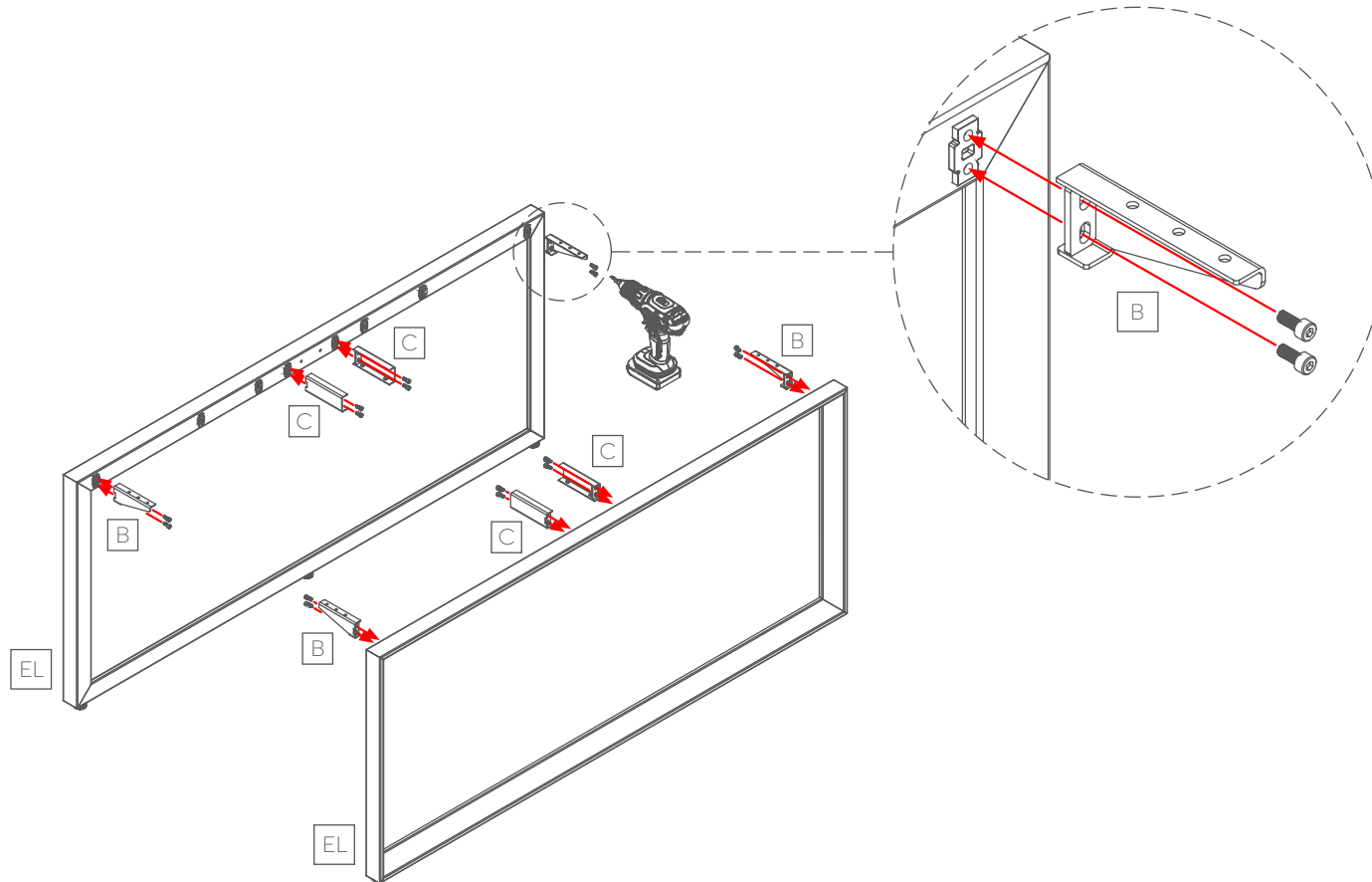
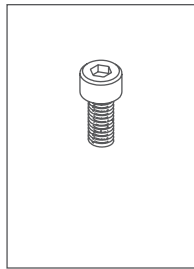


20 - ST5 x 70

# Anvil 6-User Double Sided Workspace

Assembly Instructions

## STEP 1:



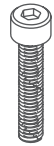
# Anvil 6-User Double Sided Workspace

## Assembly Instructions

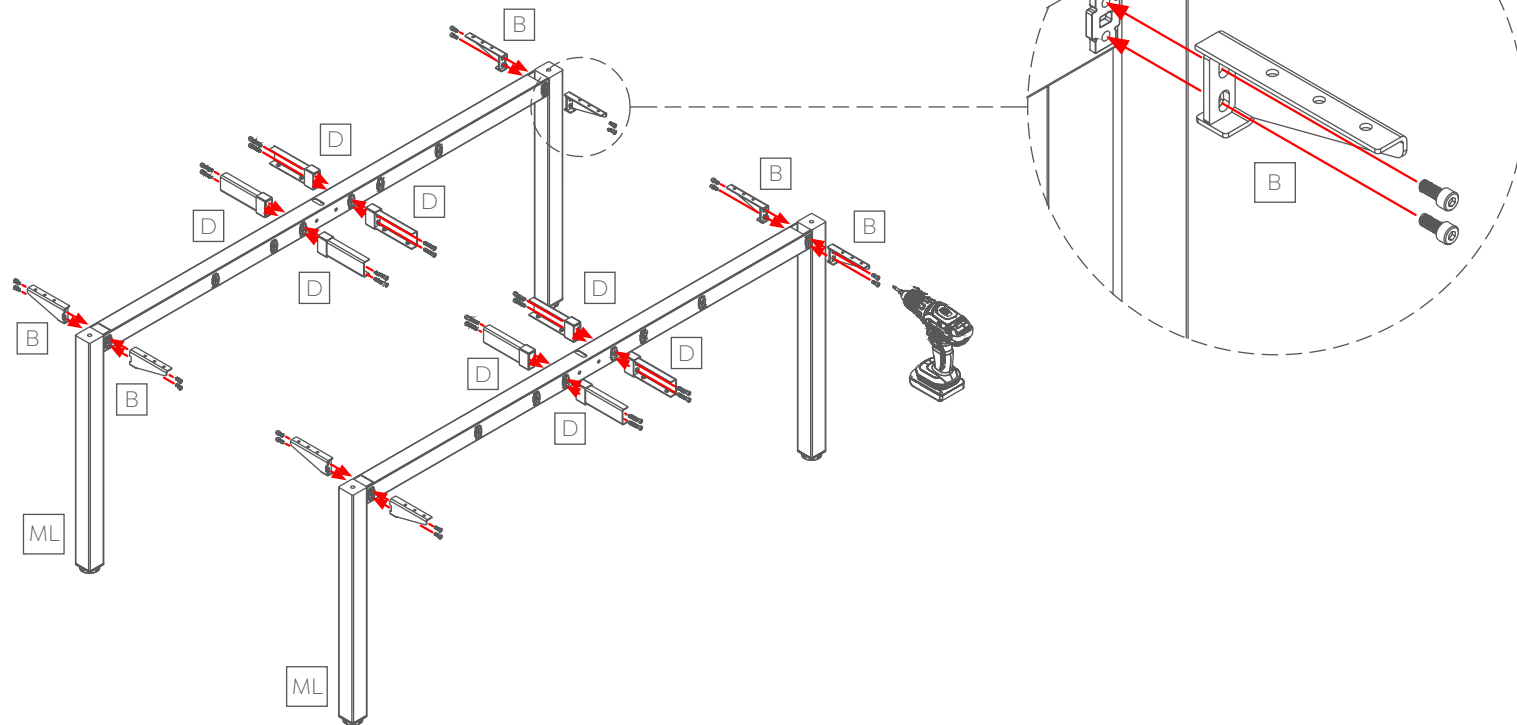
### STEP 2:



16 - M6 x 20



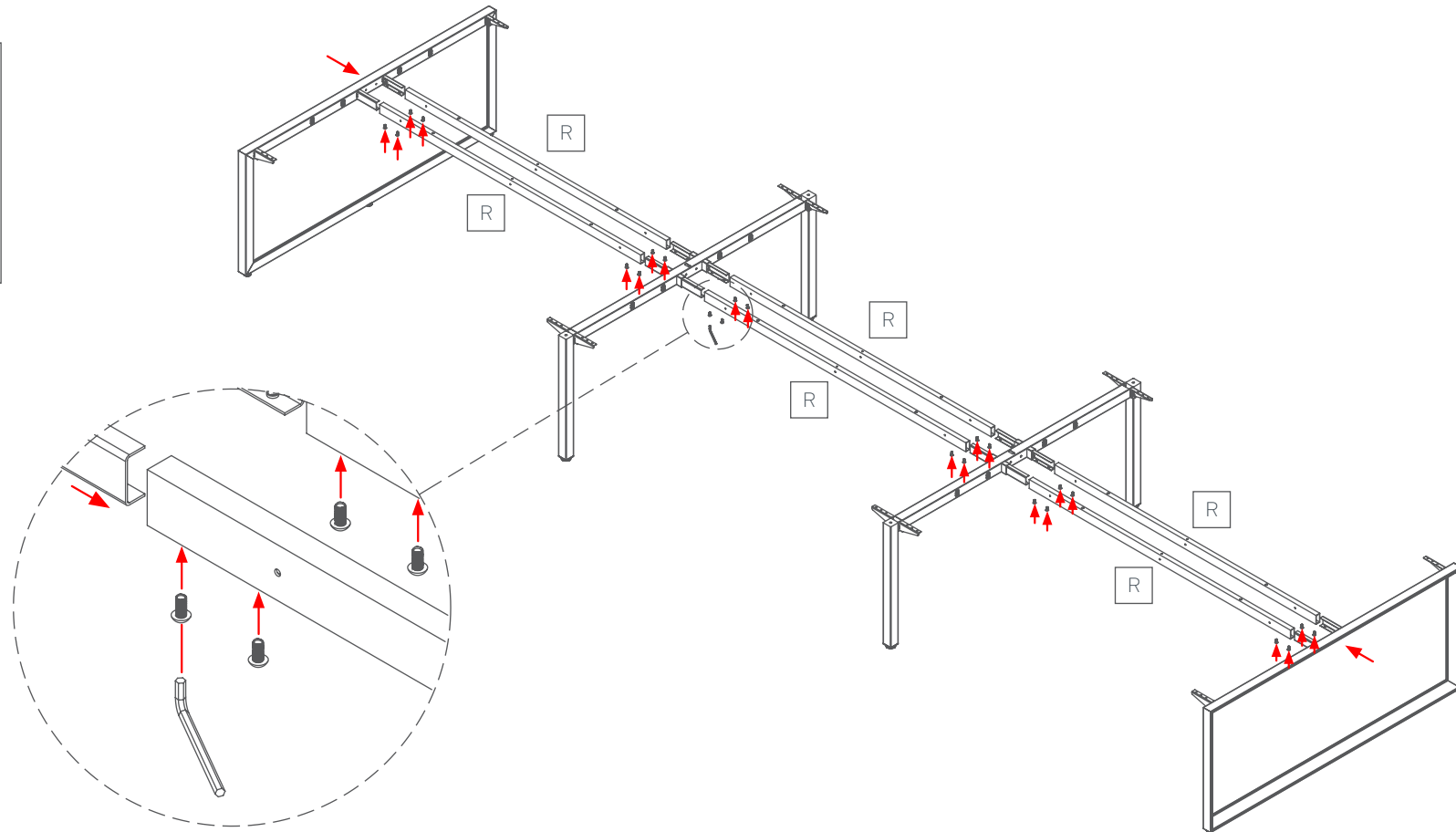
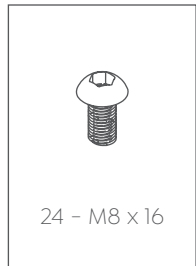
16 - M6 x 30



# Anvil 6-User Double Sided Workspace

Assembly Instructions

## STEP 3:



# Anvil 6-User Double Sided Workspace

## Assembly Instructions

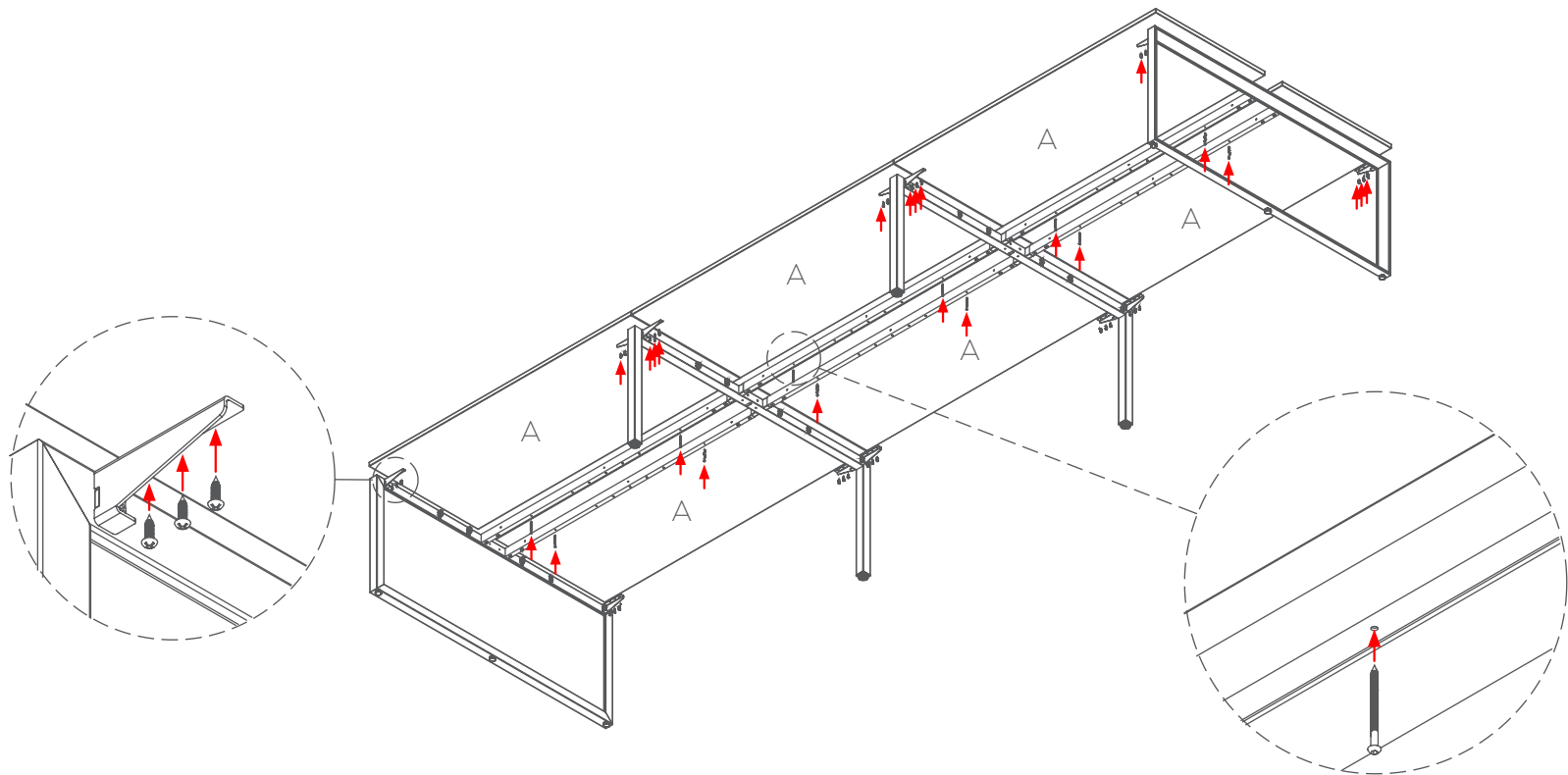
### STEP 4:



36 - ST6 x 23



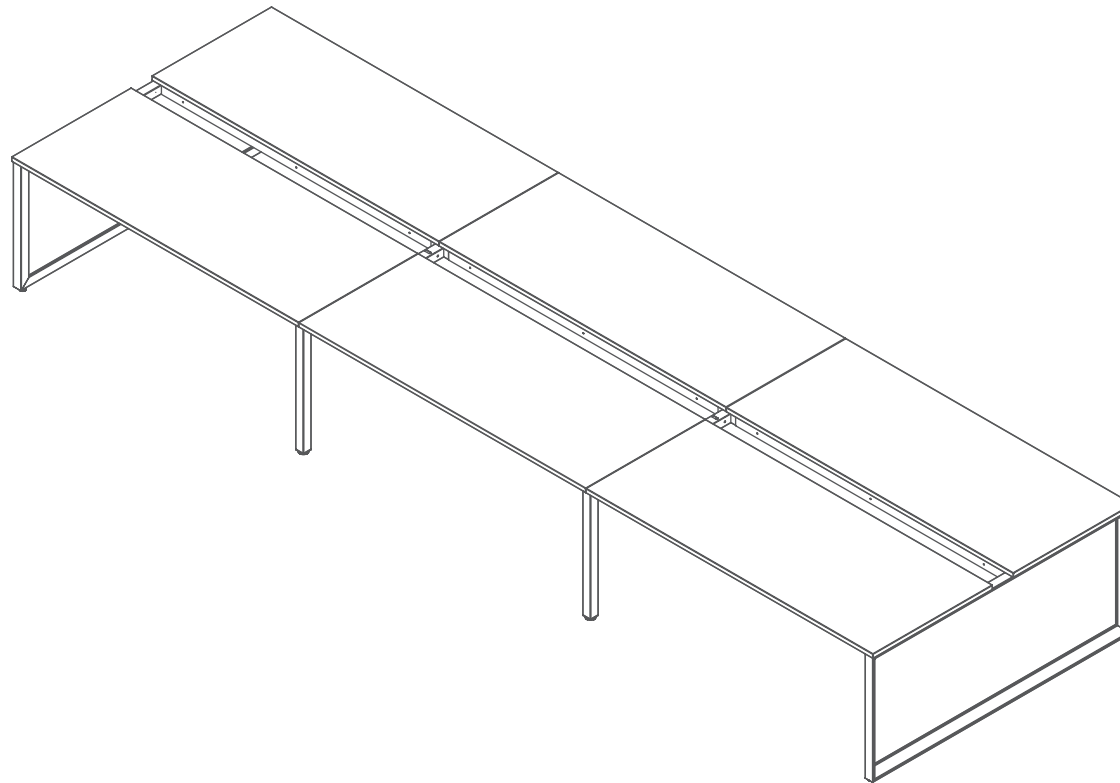
12 - ST5 x 70



# Anvil 6-User Double Sided Workspace

Assembly Instructions

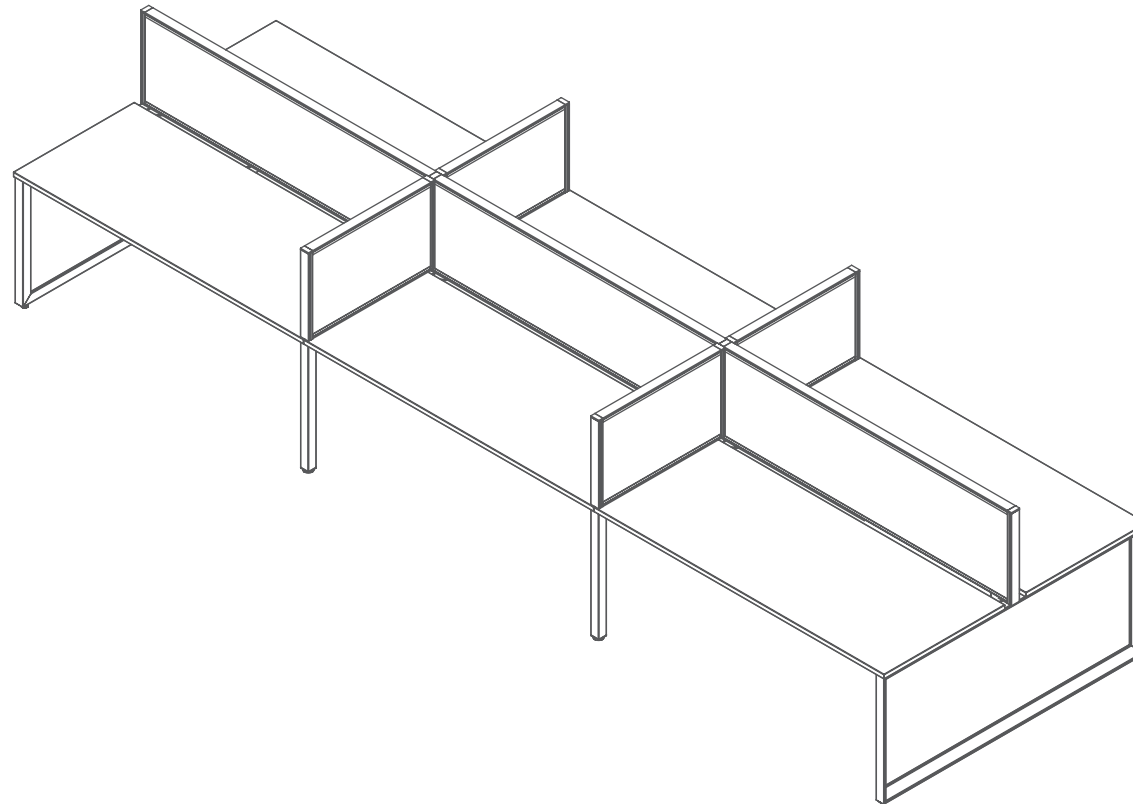
**Complete:**



# Optional Studio50 Desk Mounted Screen

Assembly Instructions

---



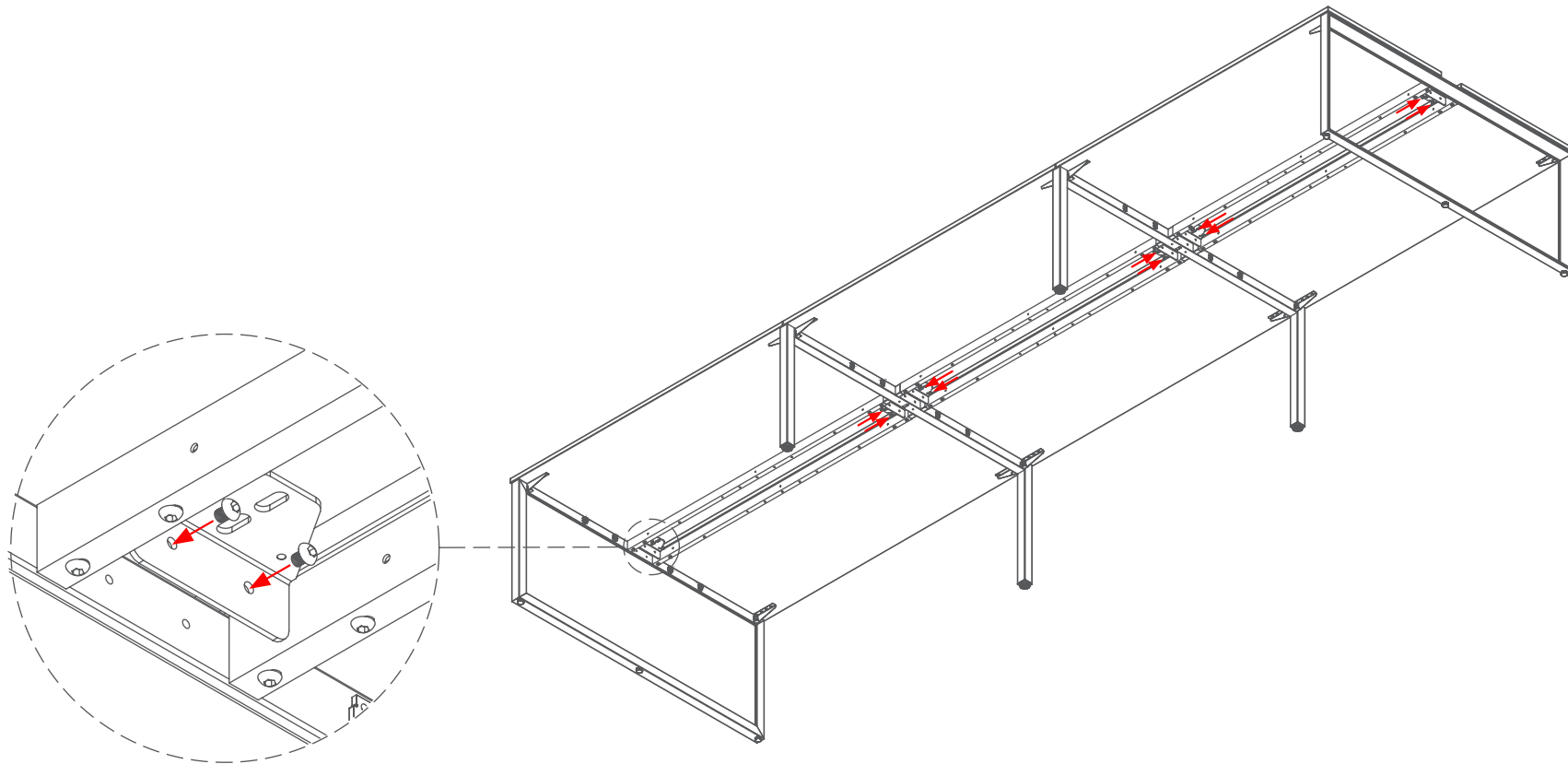
Studio50  
Screens are  
Australian  
Made.



# Optional Studio50 Desk Mounted Screen

Assembly Instructions

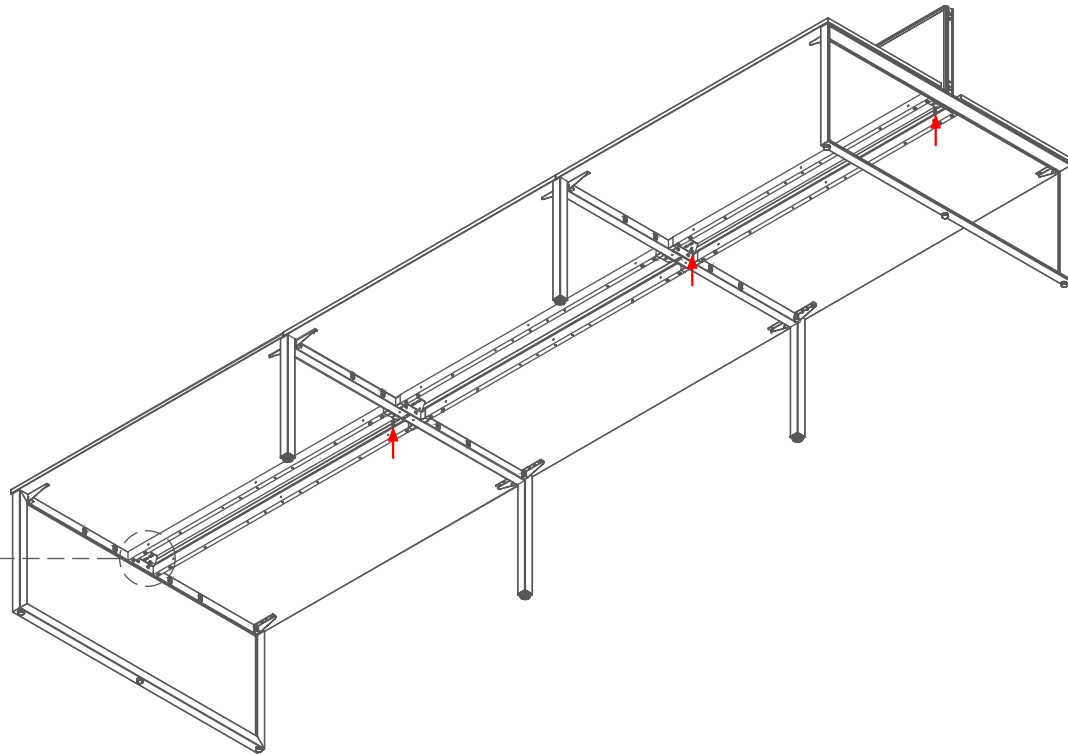
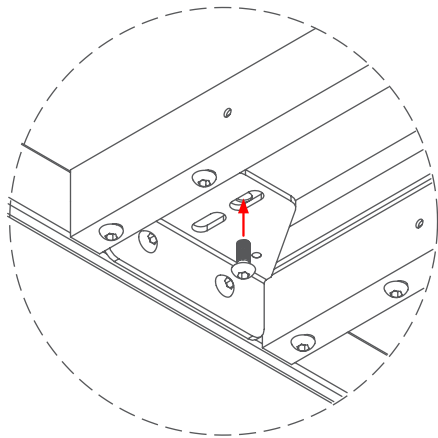
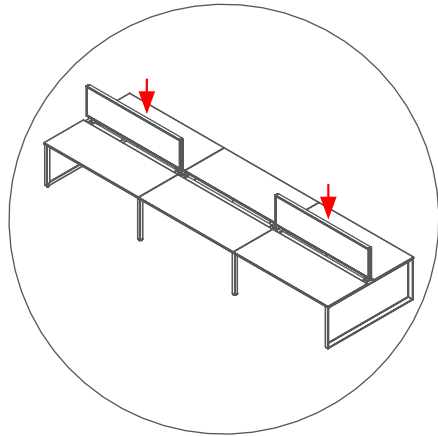
## STEP 1:



# Optional Studio50 Desk Mounted Screen

Assembly Instructions

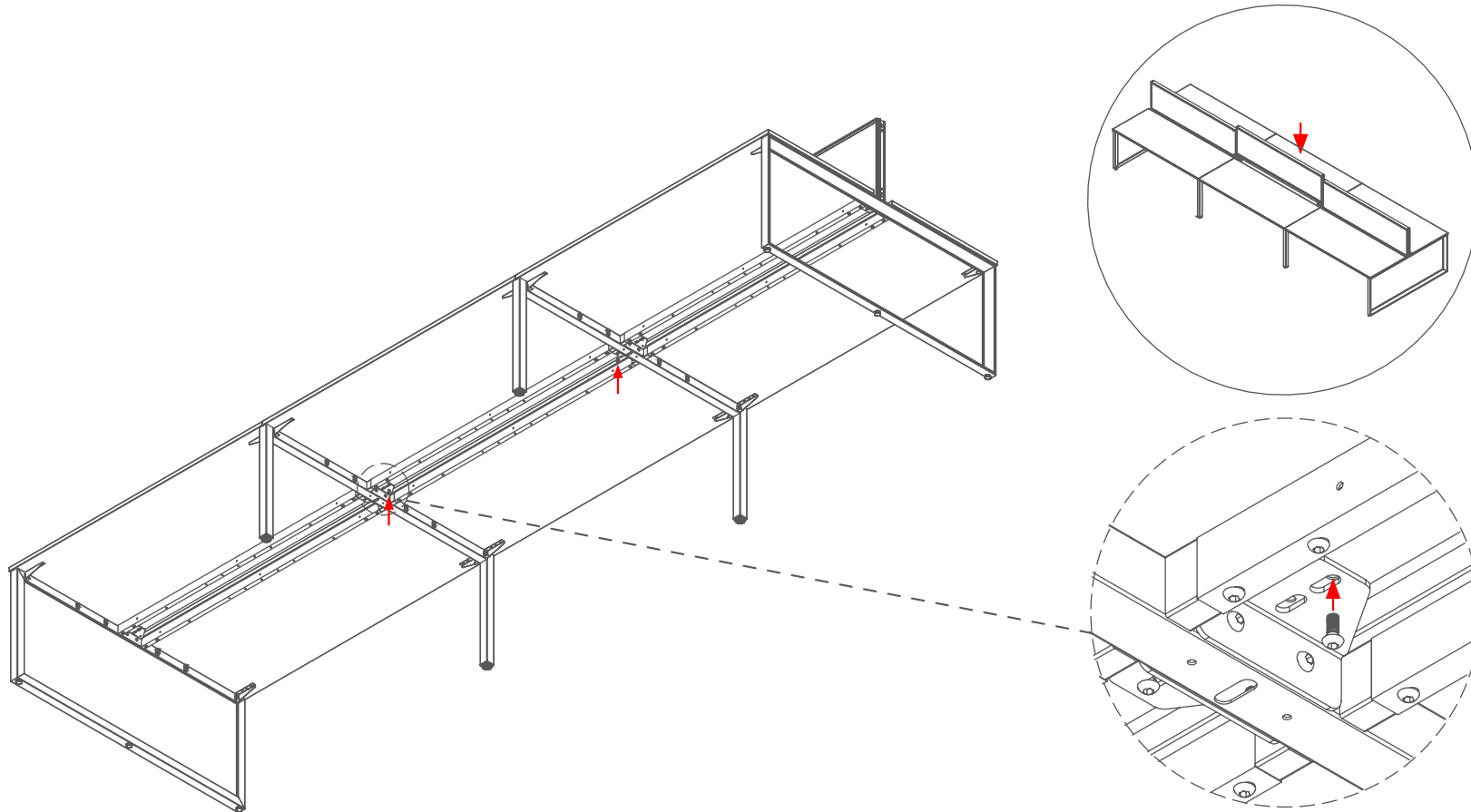
## STEP 2:



# Optional Studio50 Desk Mounted Screen

Assembly Instructions

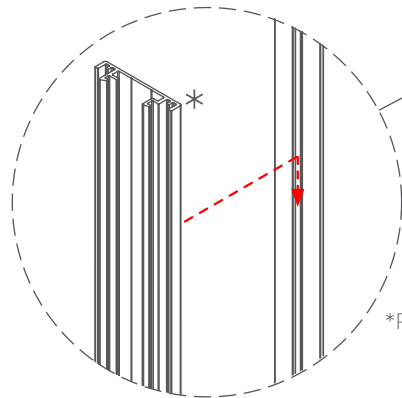
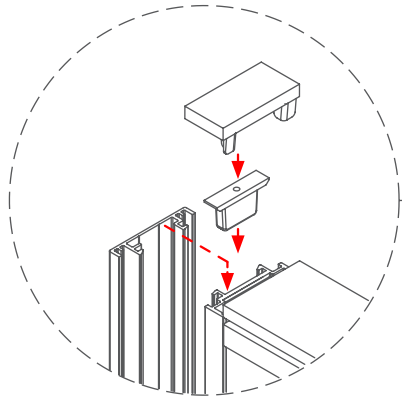
## STEP 3:



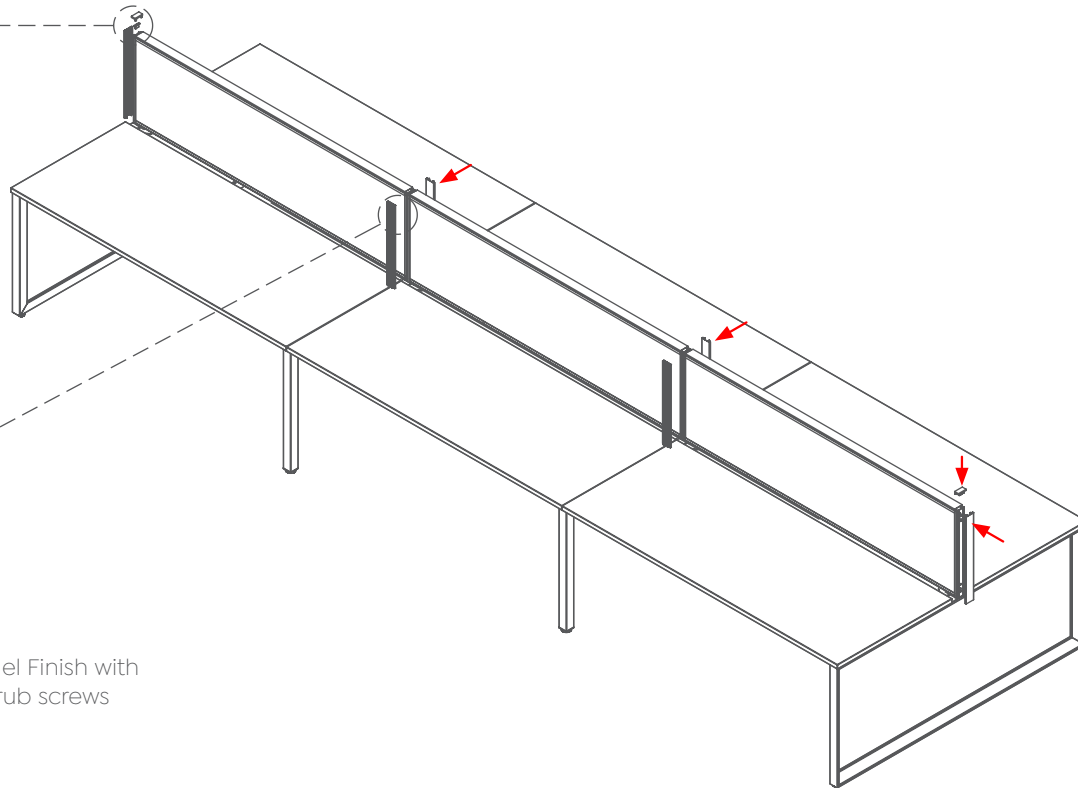
# Optional Studio50 Desk Mounted Screen

## Assembly Instructions

### STEP 4:



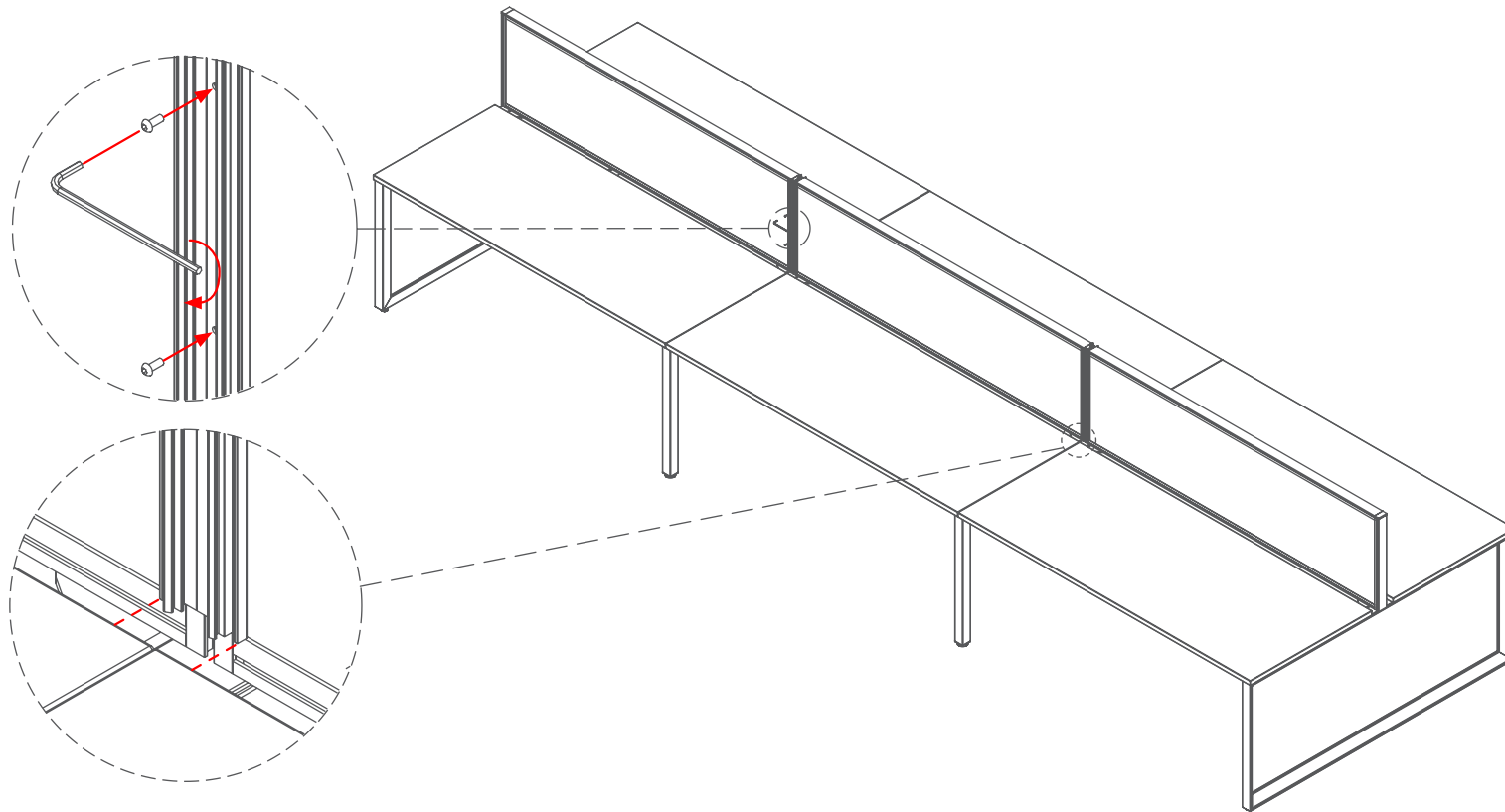
\*Panel Finish with grub screws



# Optional Studio50 Desk Mounted Screen

Assembly Instructions

## STEP 5:

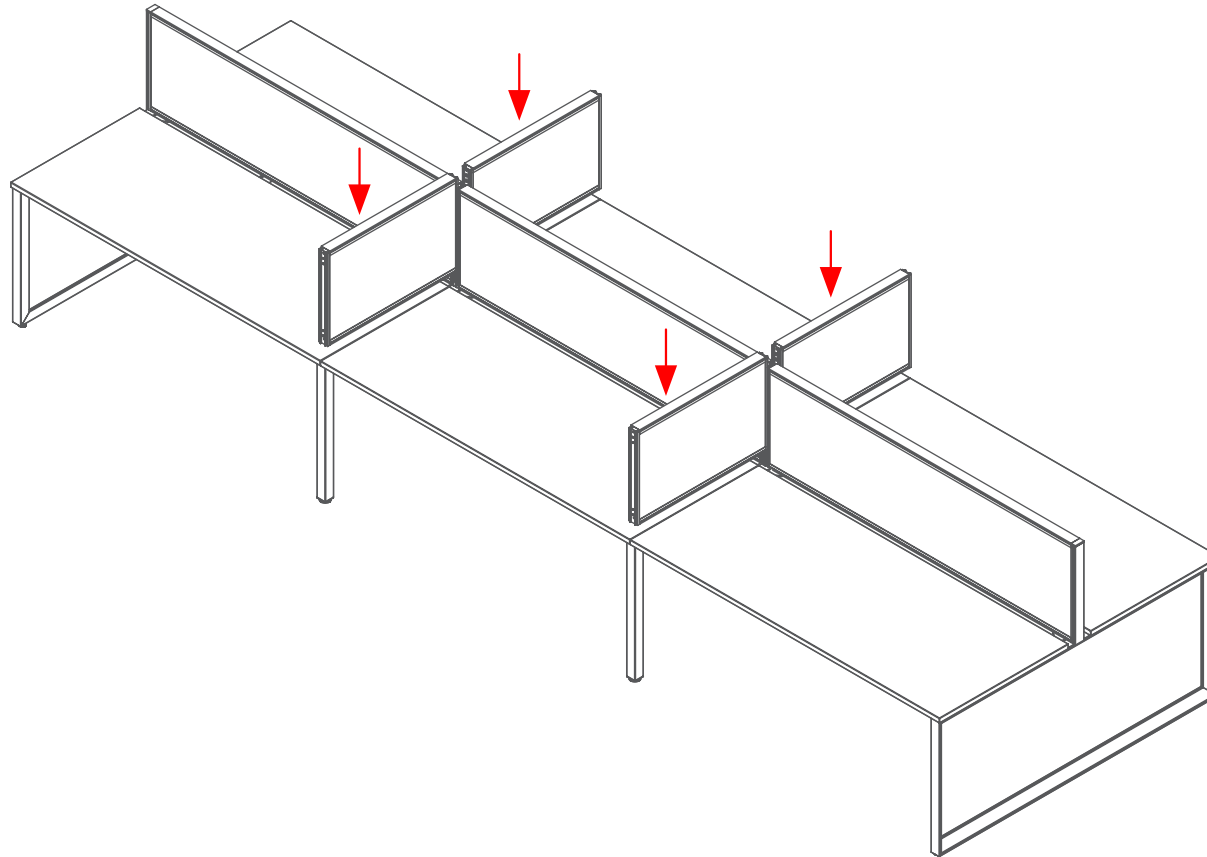


# Optional Studio50 Desk Mounted Screen

Assembly Instructions

---

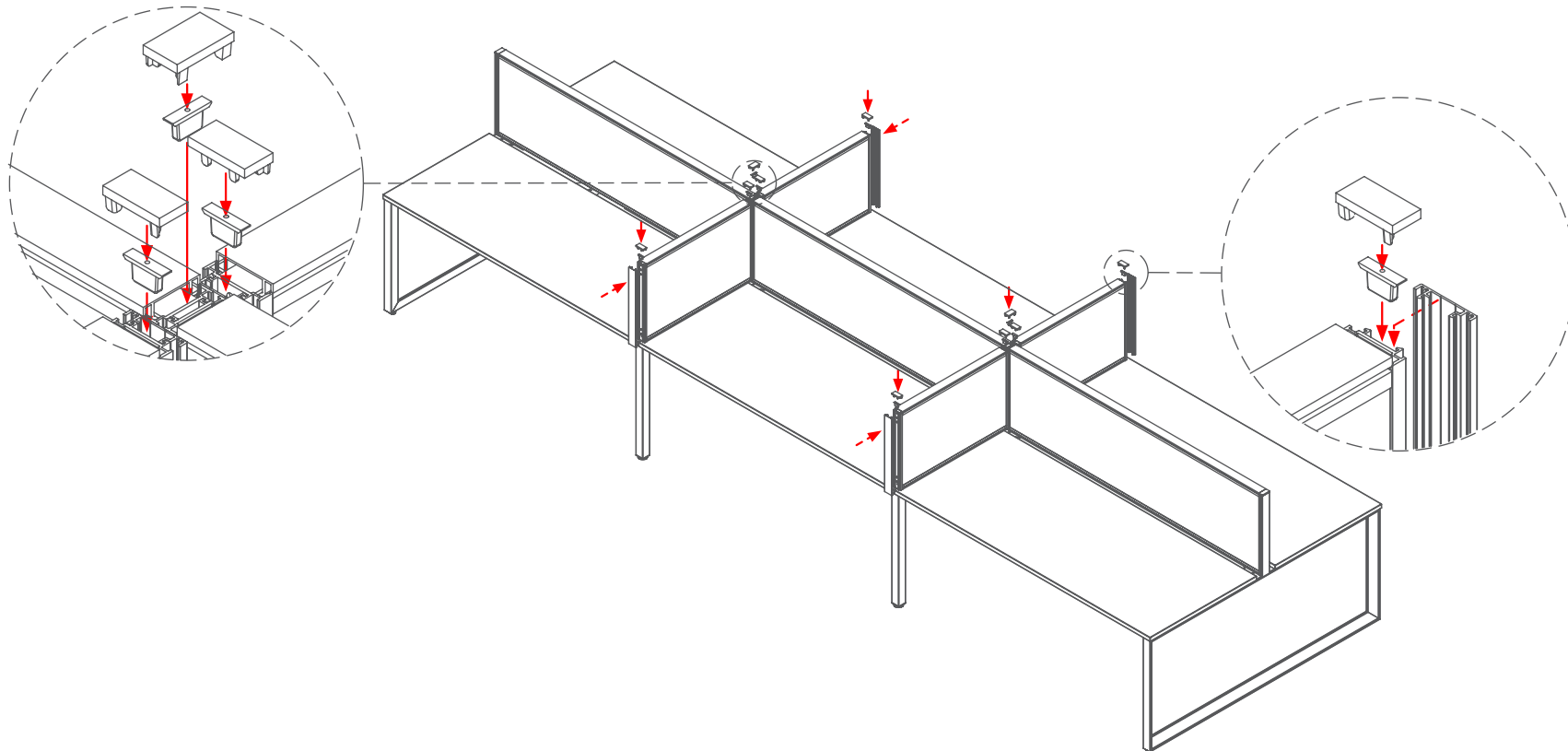
## STEP 6:



# Optional Studio50 Desk Mounted Screen

Assembly Instructions

## STEP 7:

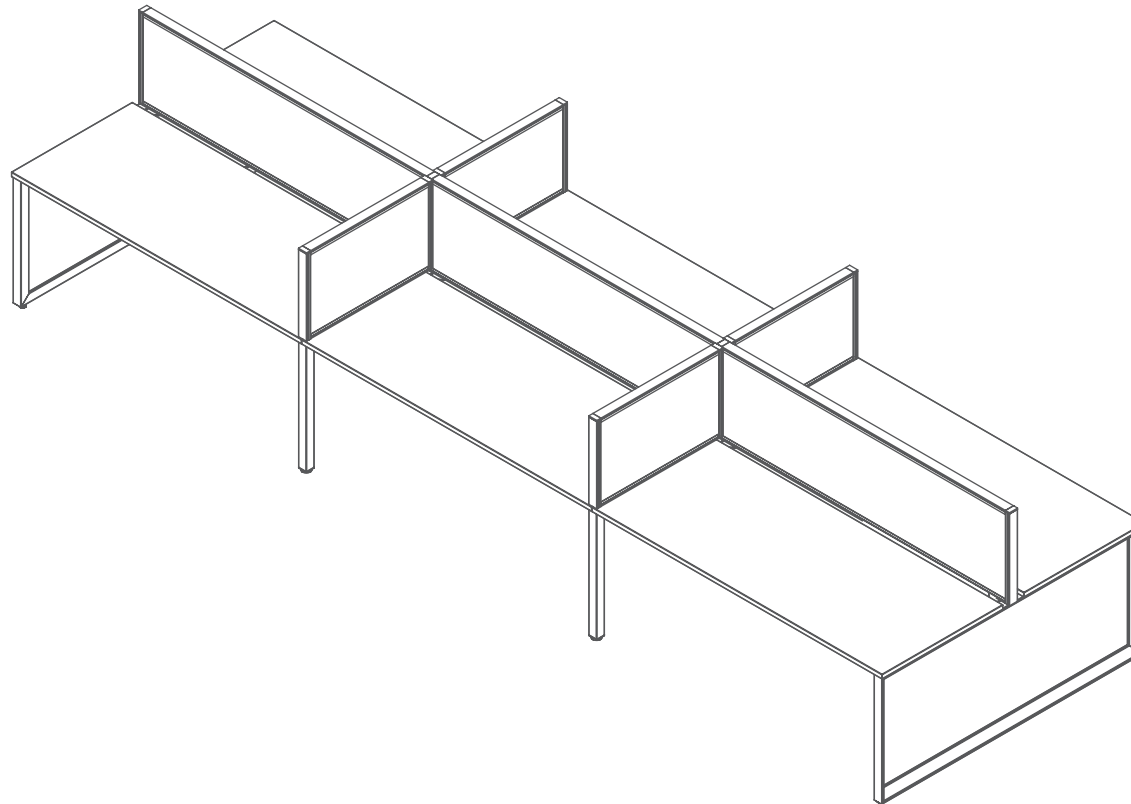


# Optional Studio50 Desk Mounted Screen

Assembly Instructions

---

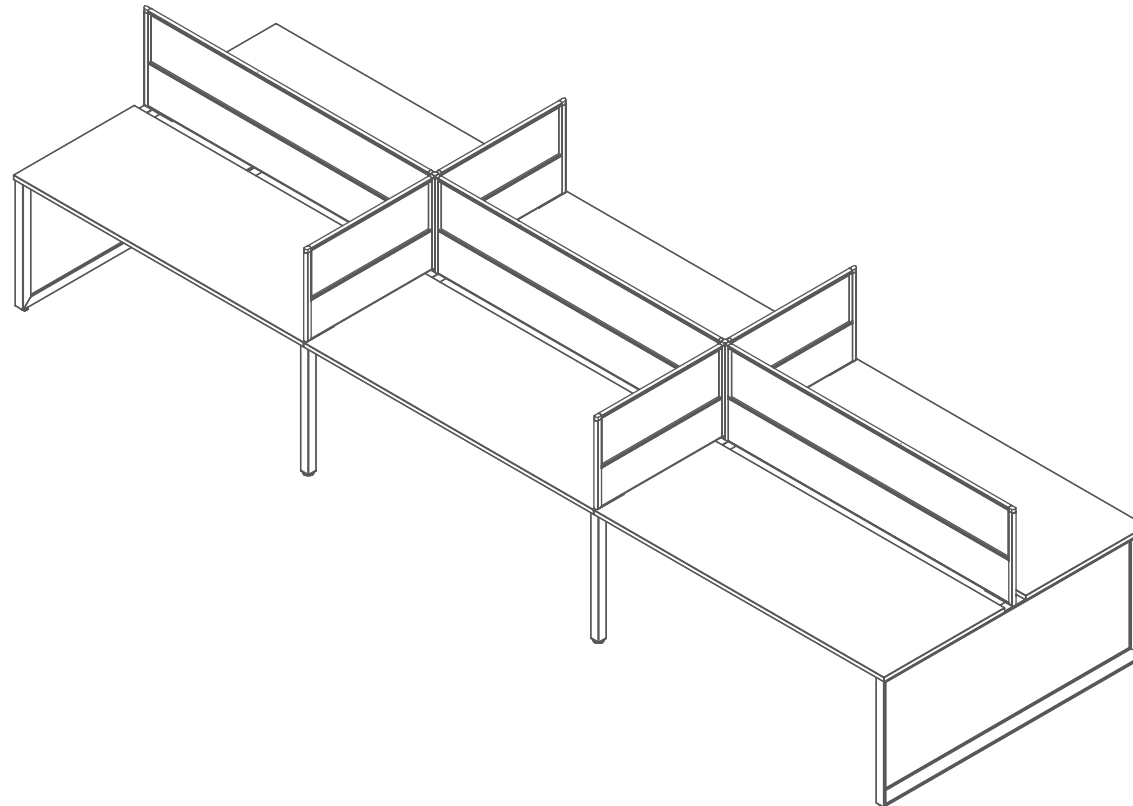
**Complete:**





# Optional 22mm Split Desk Mounted Screen

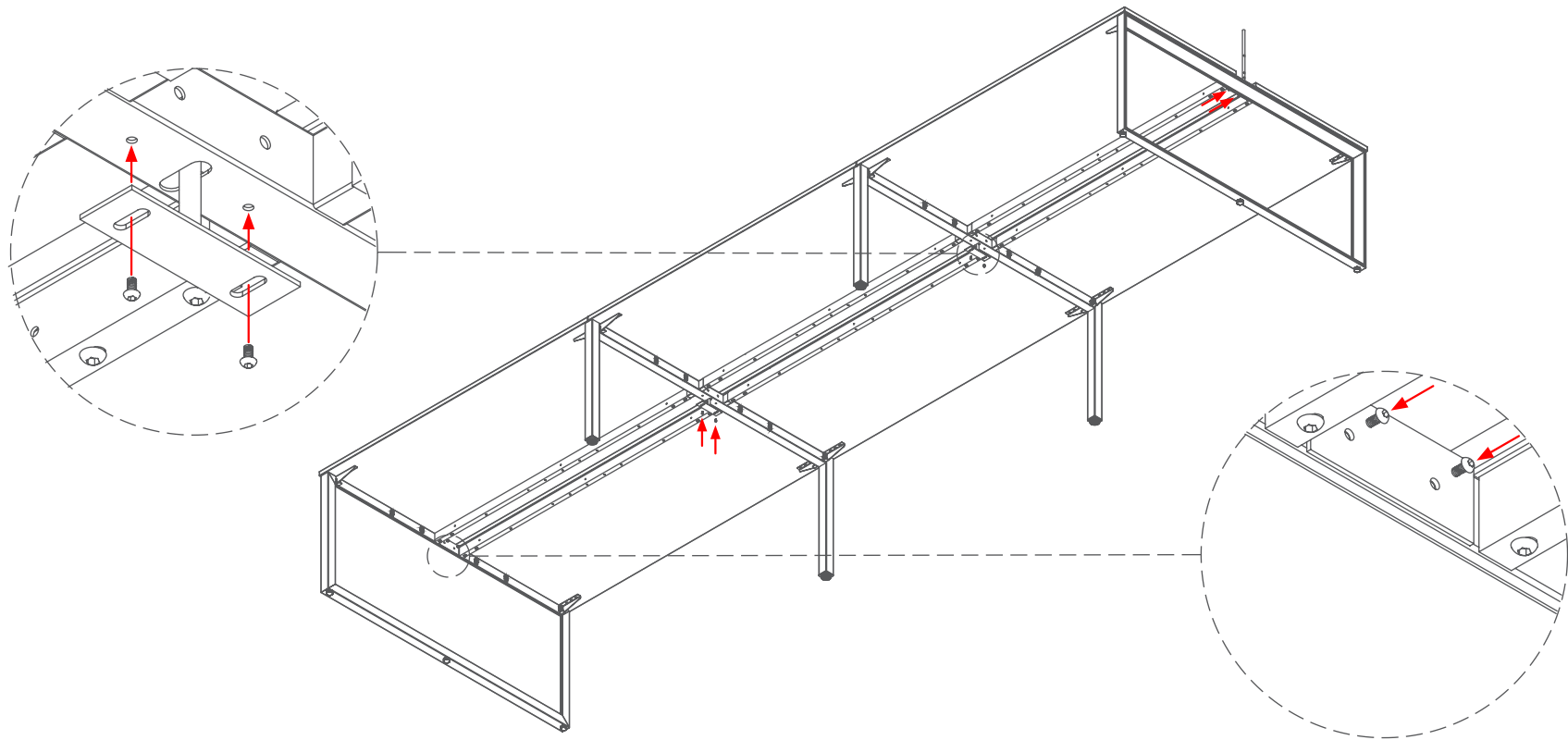
Assembly Instructions



# Optional 22mm Split Desk Mounted Screen

Assembly Instructions

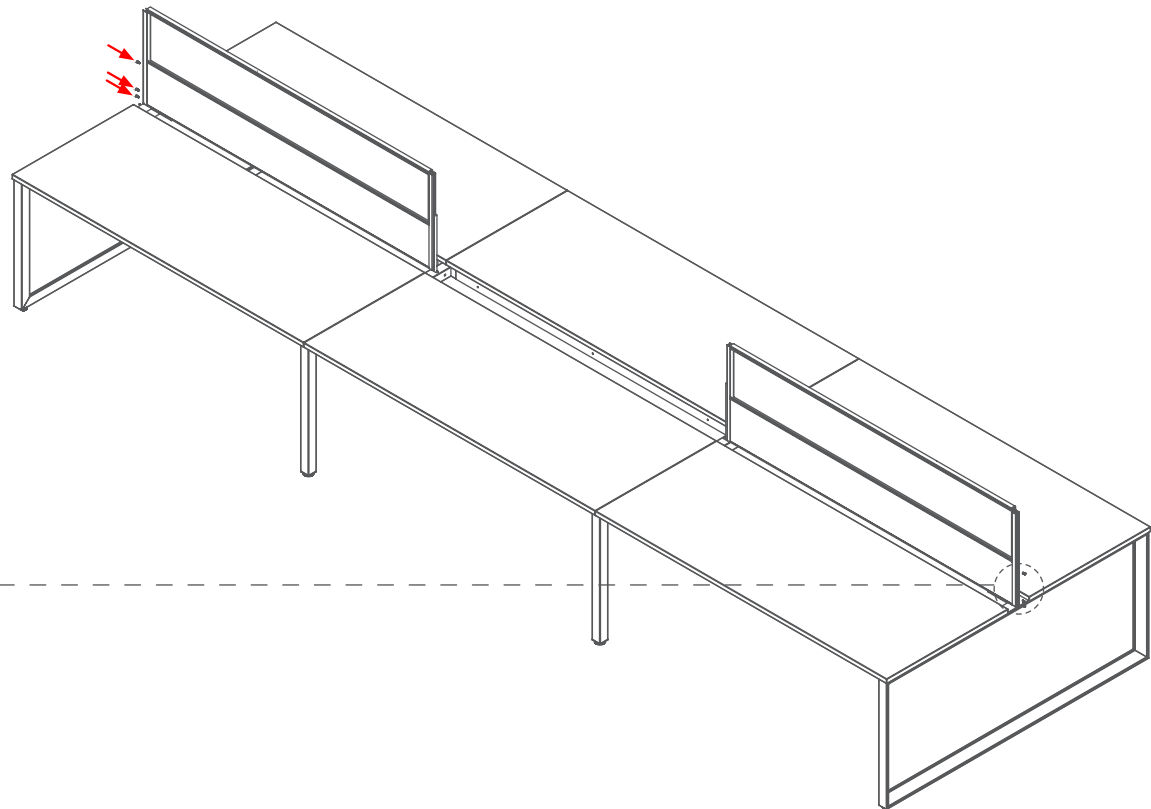
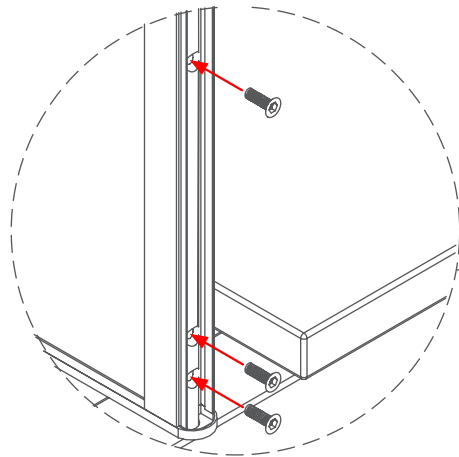
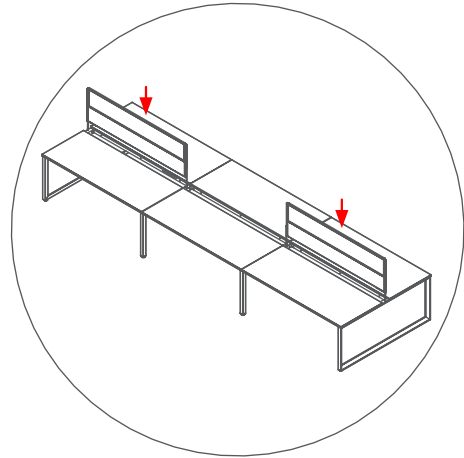
## STEP 1:



# Optional 22mm Split Desk Mounted Screen

Assembly Instructions

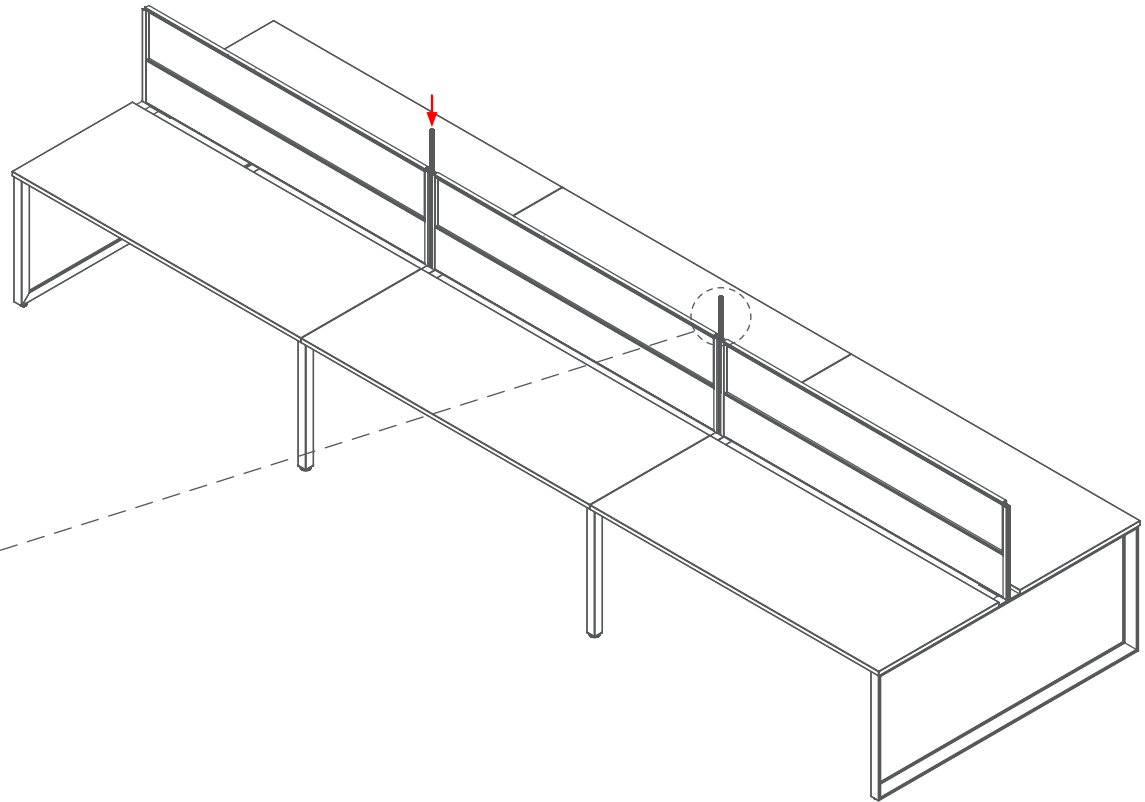
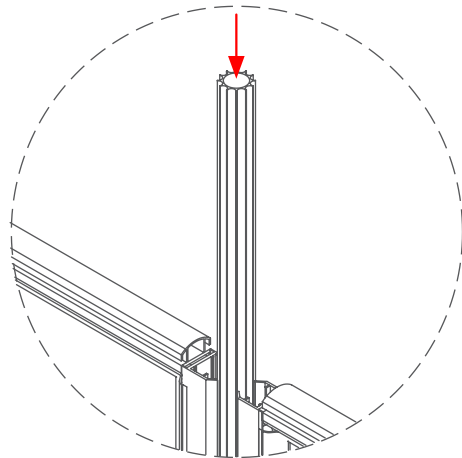
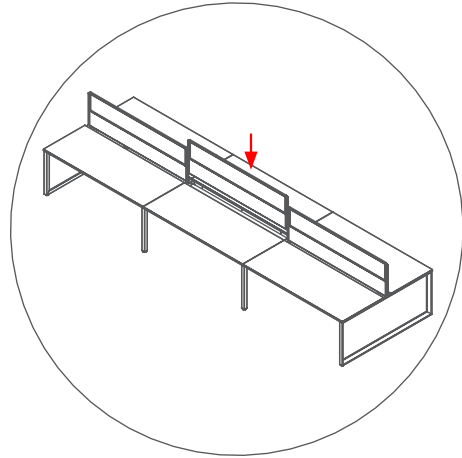
## STEP 2:



# Optional 22mm Split Desk Mounted Screen

Assembly Instructions

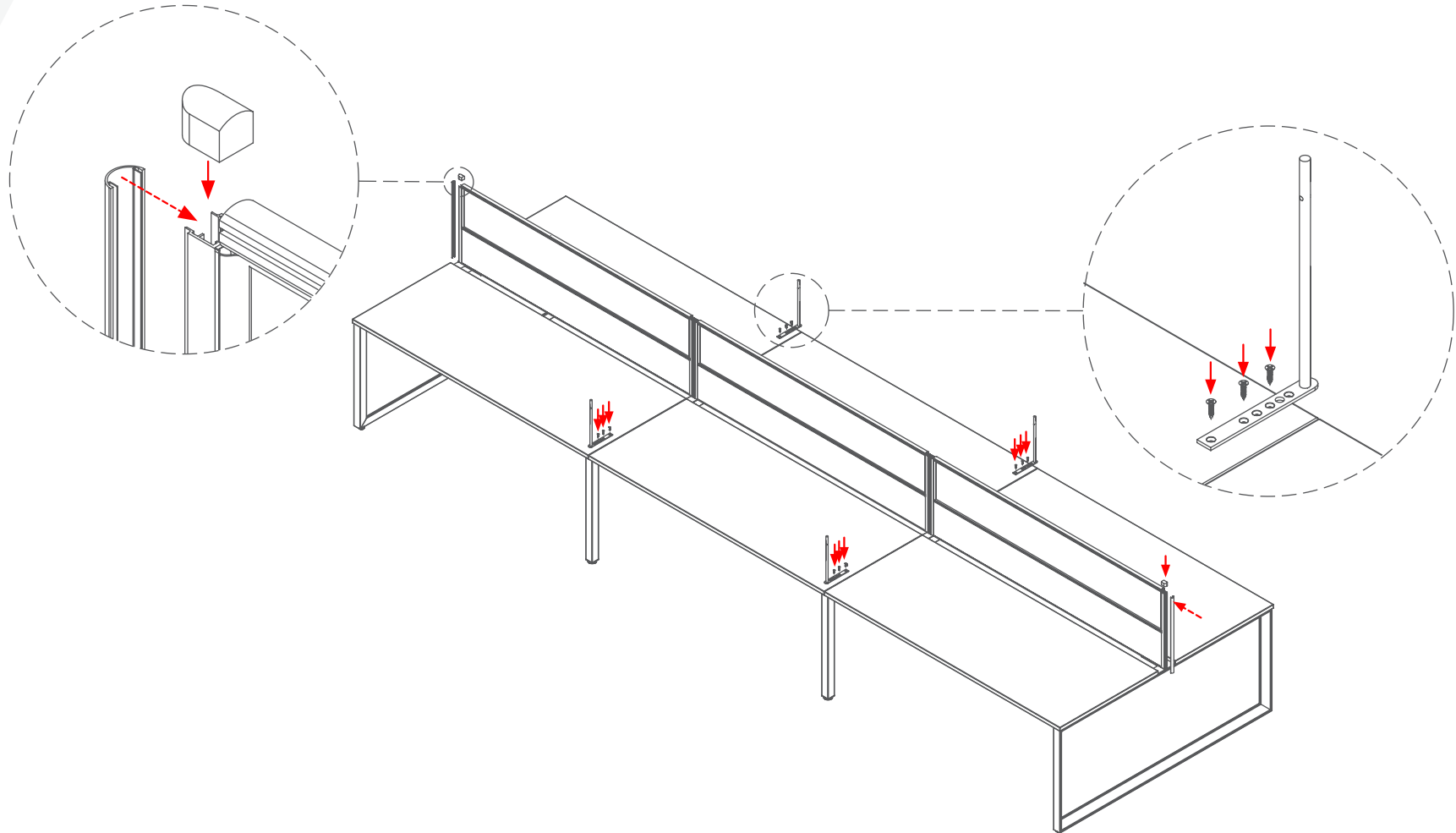
## STEP 3:



# Optional 22mm Split Desk Mounted Screen

Assembly Instructions

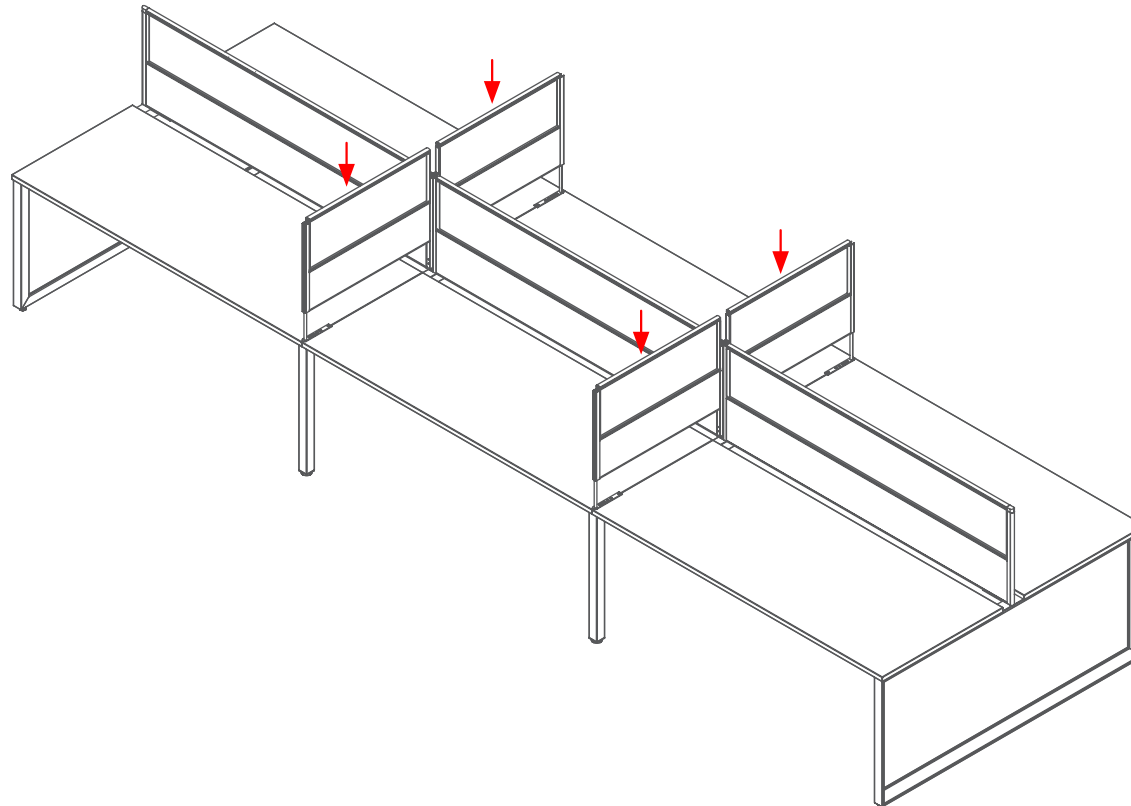
## STEP 4:



# Optional 22mm Split Desk Mounted Screen

Assembly Instructions

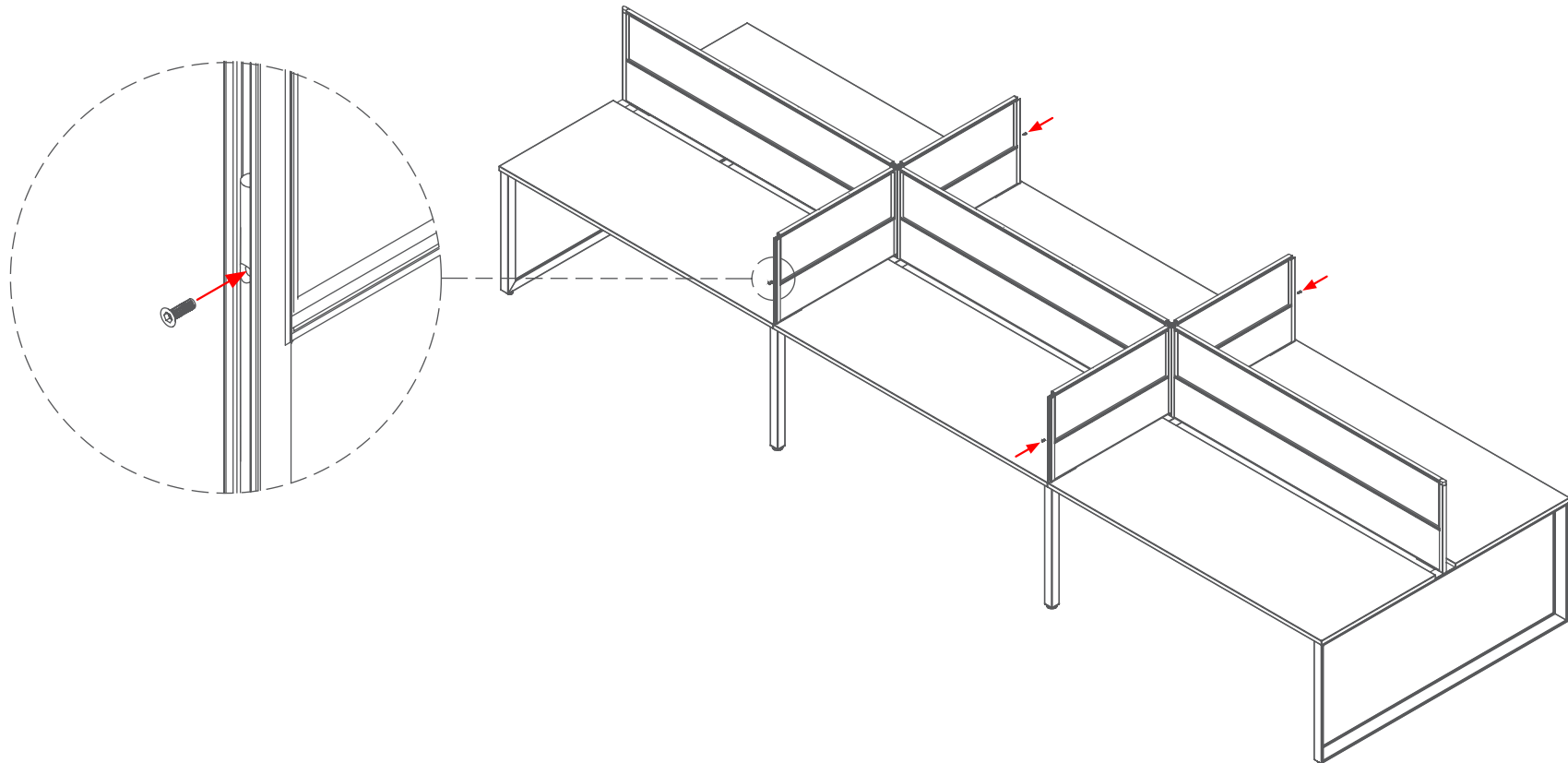
## STEP 5:



# Optional 22mm Split Desk Mounted Screen

Assembly Instructions

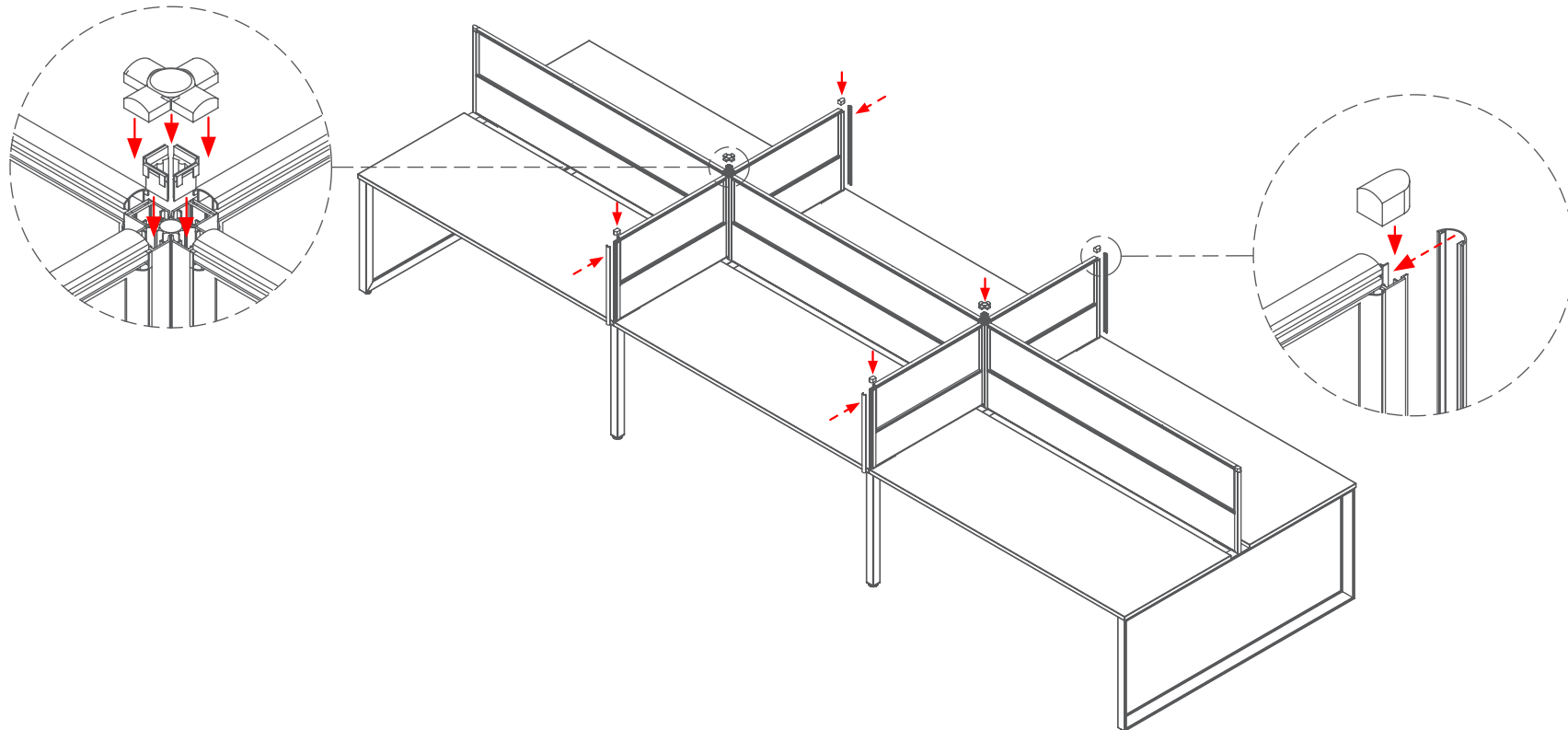
## STEP 6:



# Optional 22mm Split Desk Mounted Screen

Assembly Instructions

## STEP 7:





# Optional 22mm Split Desk Mounted Screen

Assembly Instructions

**Complete:**

