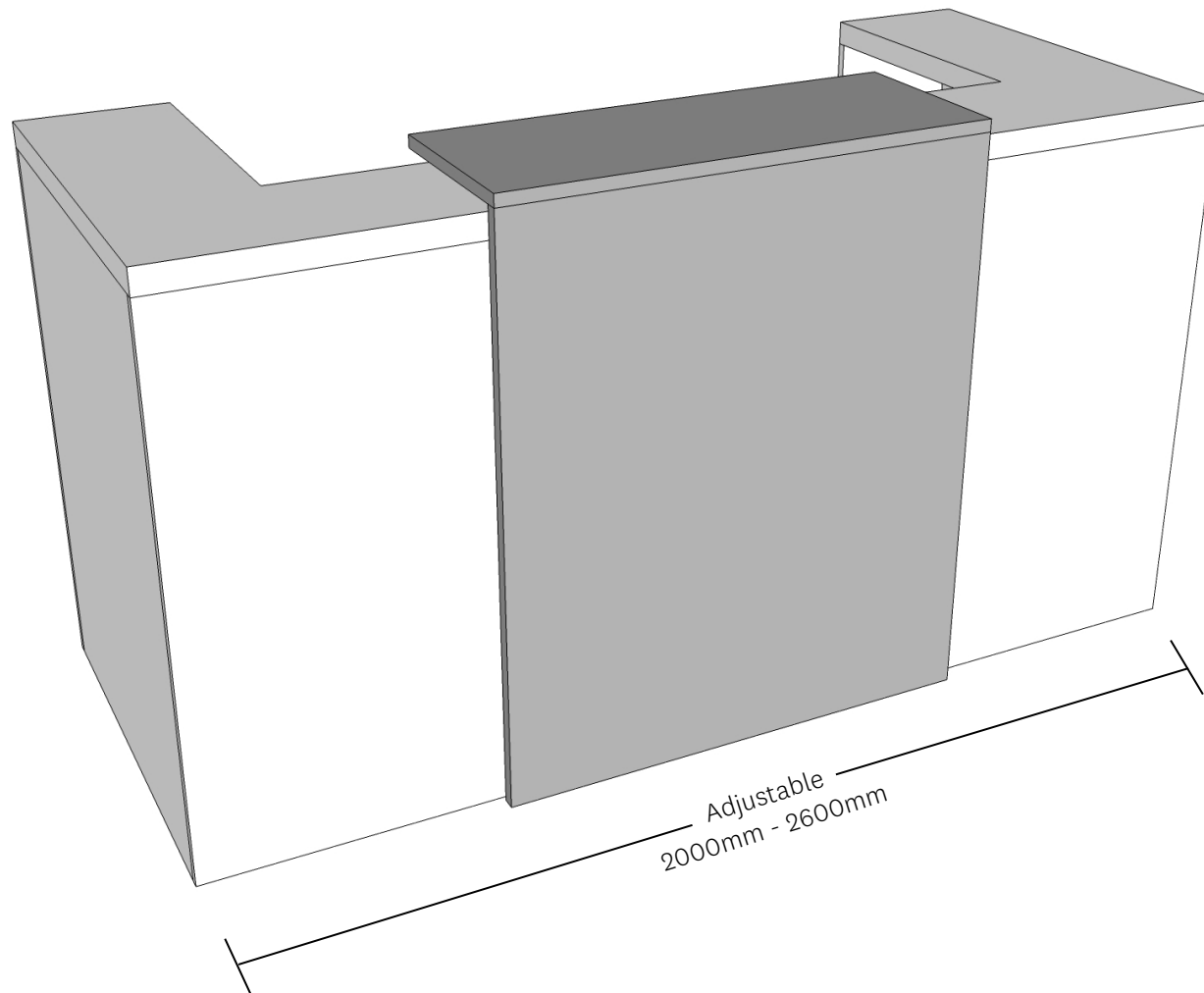


Anvil Reception Counter

Installation Guide

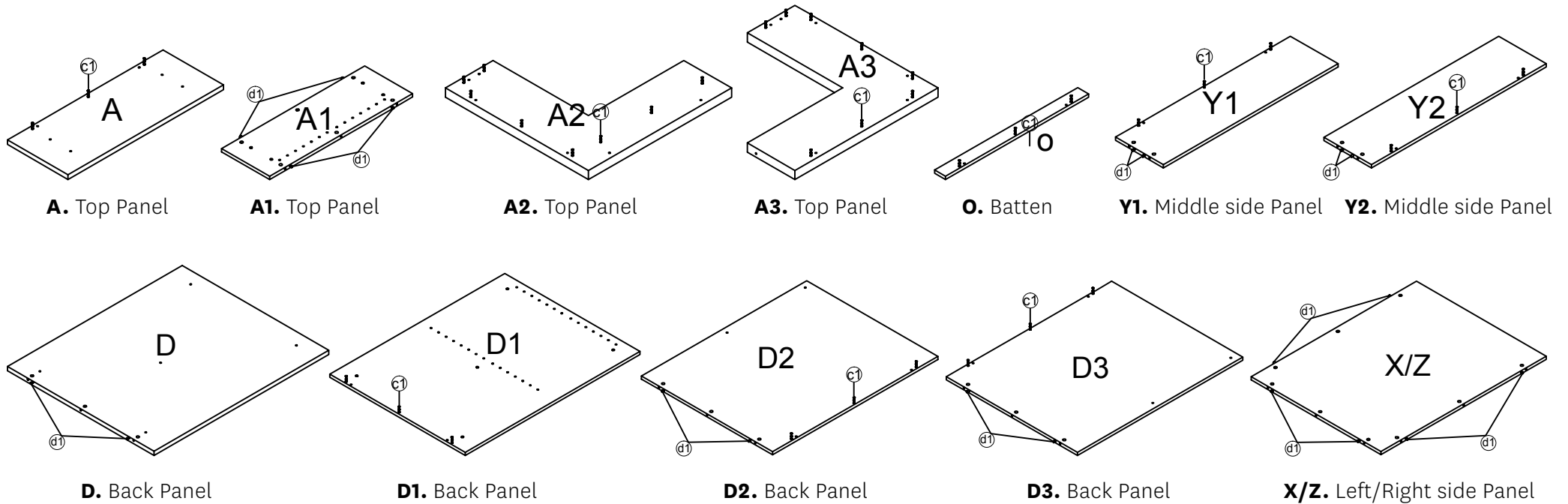
TOOLS REQUIRED: Powered screwdriver



ANVIL RECEPTION COUNTER

Installation Guide

PARTS



Pre-installed parts



(c5) Cam



(c1) 6*35 Cam Bolt-37



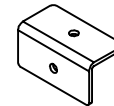
(d1) 8*30 Dowel Pin-26



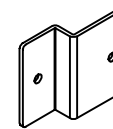
(c2) (1/2") Cam Cover-46



(s1) 6*12 Screw-12



(p1) Bracket-2



(p2) Bracket-4

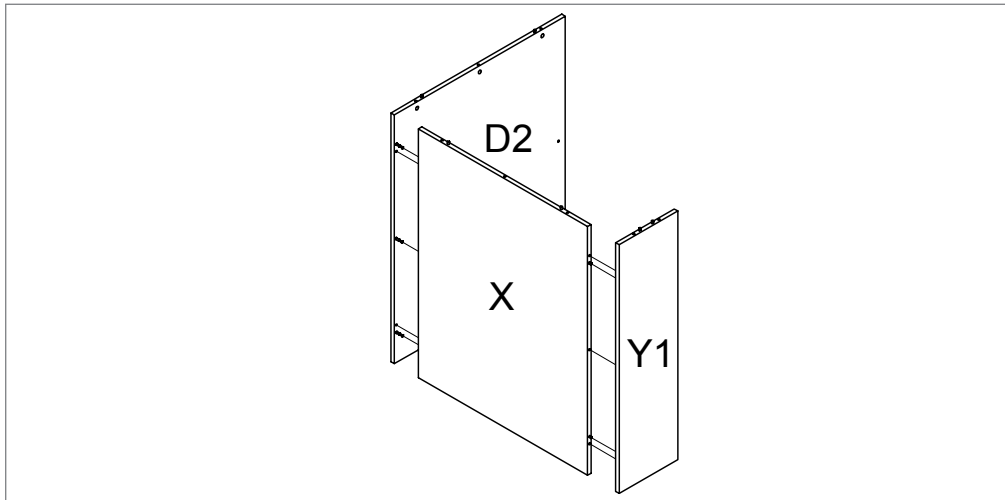
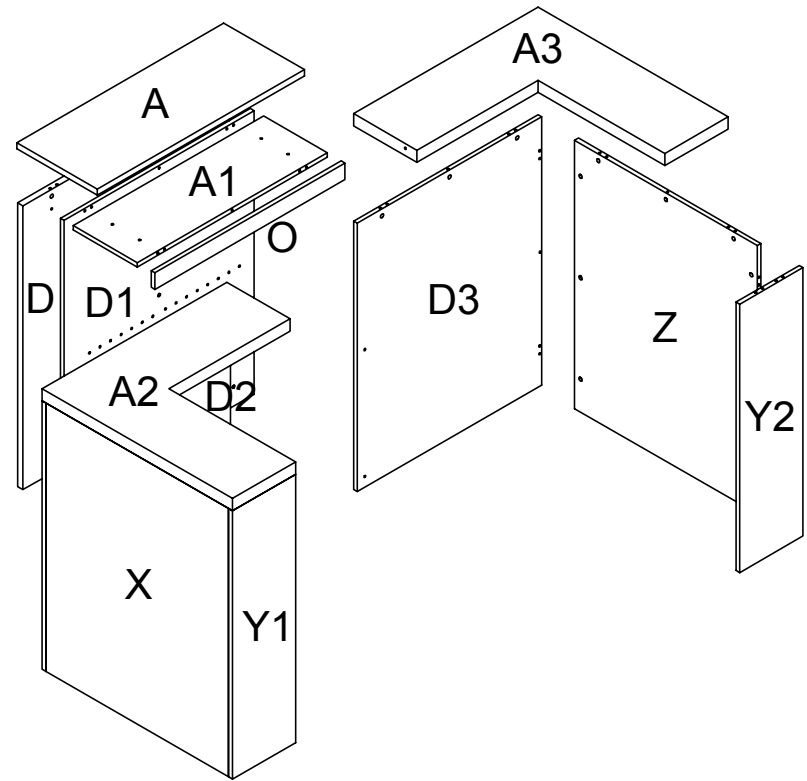
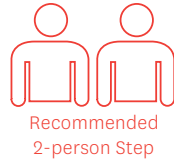


(s2) 6*25 Screw-9

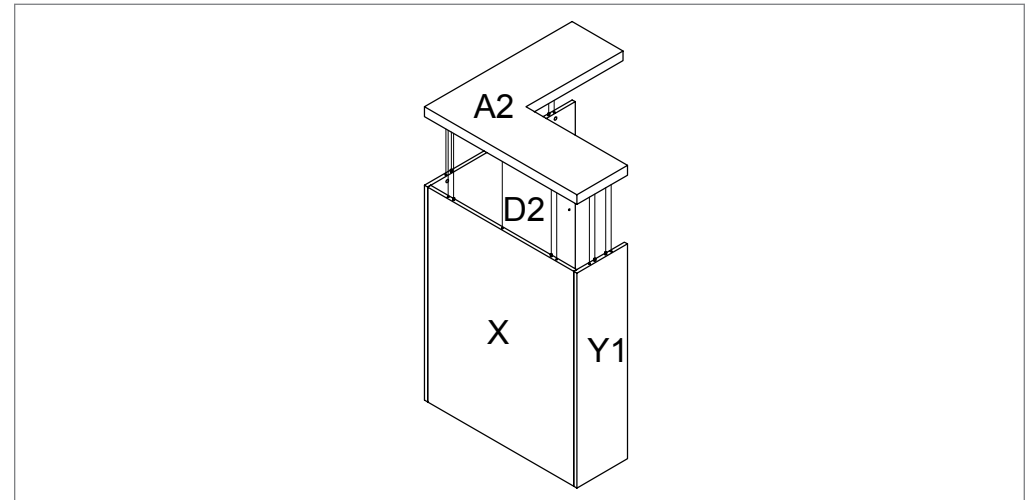
ANVIL RECEPTION COUNTER

Installation Guide

* To prevent possible scratches or damage, assemble the reception on a soft surface such as a blanket, carpet or packaging.



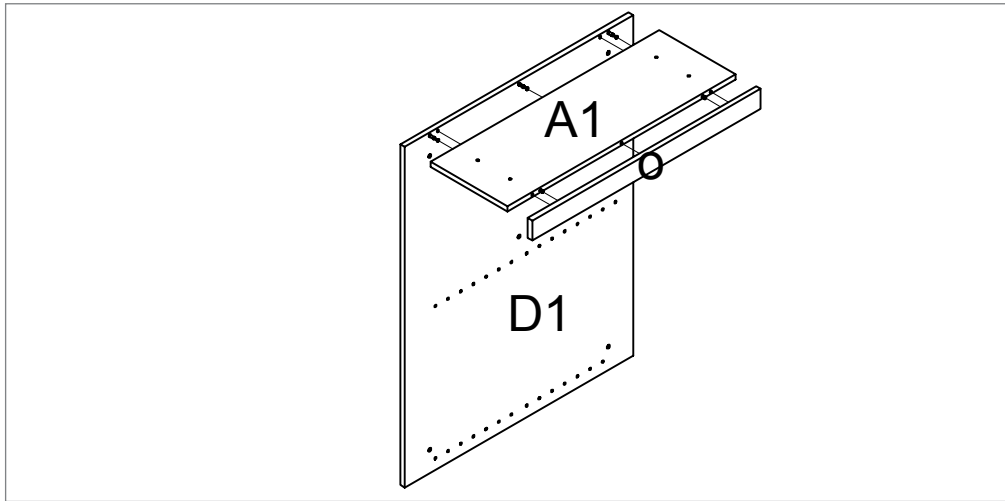
STEP 1



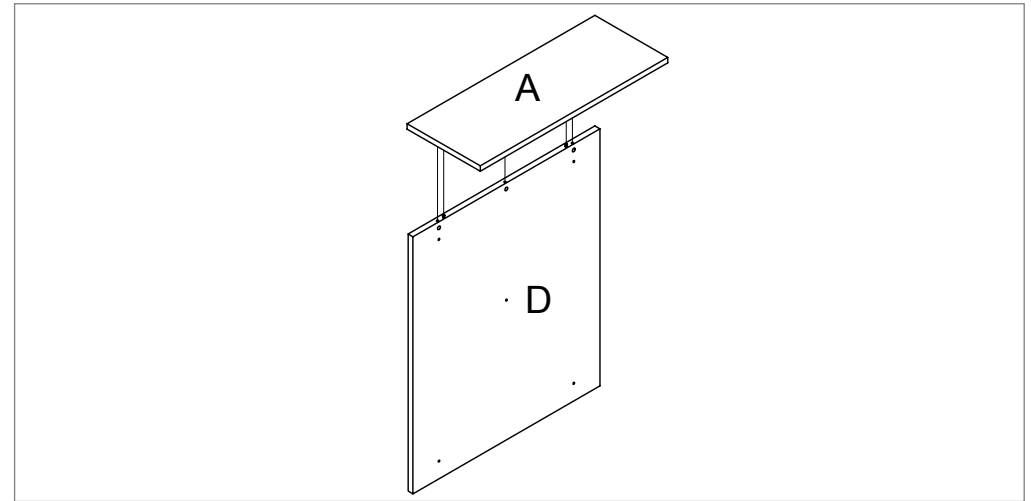
STEP 2

ANVIL RECEPTION COUNTER

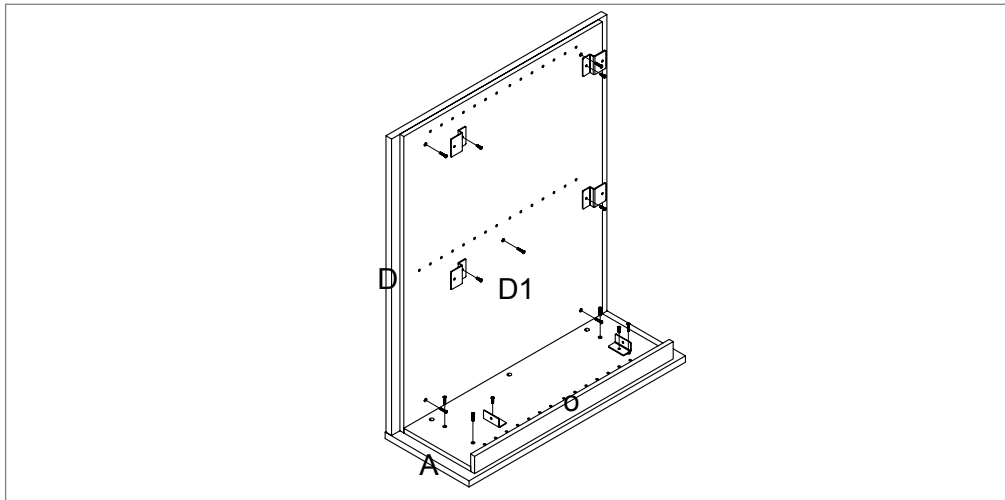
Installation Guide



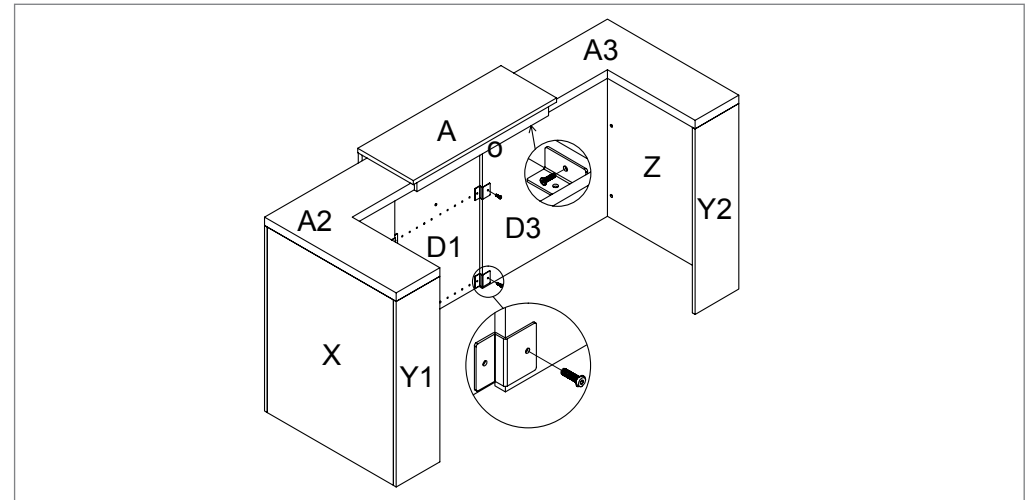
STEP 3



STEP 4



STEP 5



STEP 6