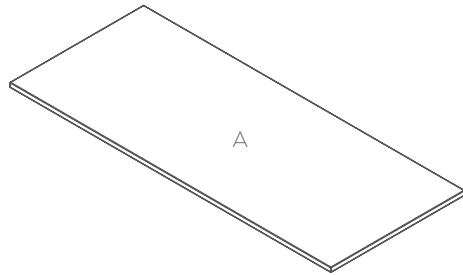


Anvil Single Workspace

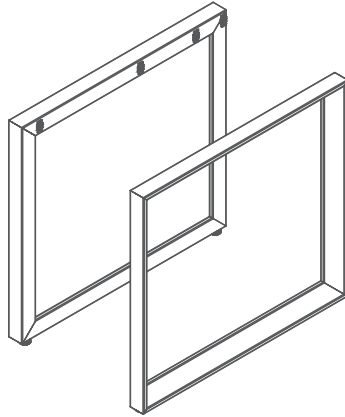
Assembly Instructions

Anvil Single Workspace

Components List

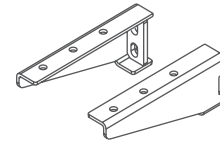


Axis Worktop



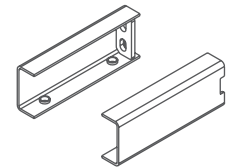
1 x L & R Leg Pair

EL



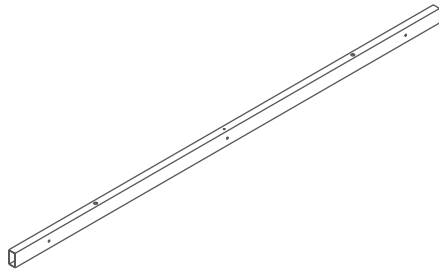
1 x Pair AXKDBRAC

B



1 x Pair AXKDSPIGE

C



1 x Rail

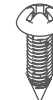
R



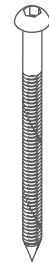
8 - M6 x 20



4 - M8 x 16

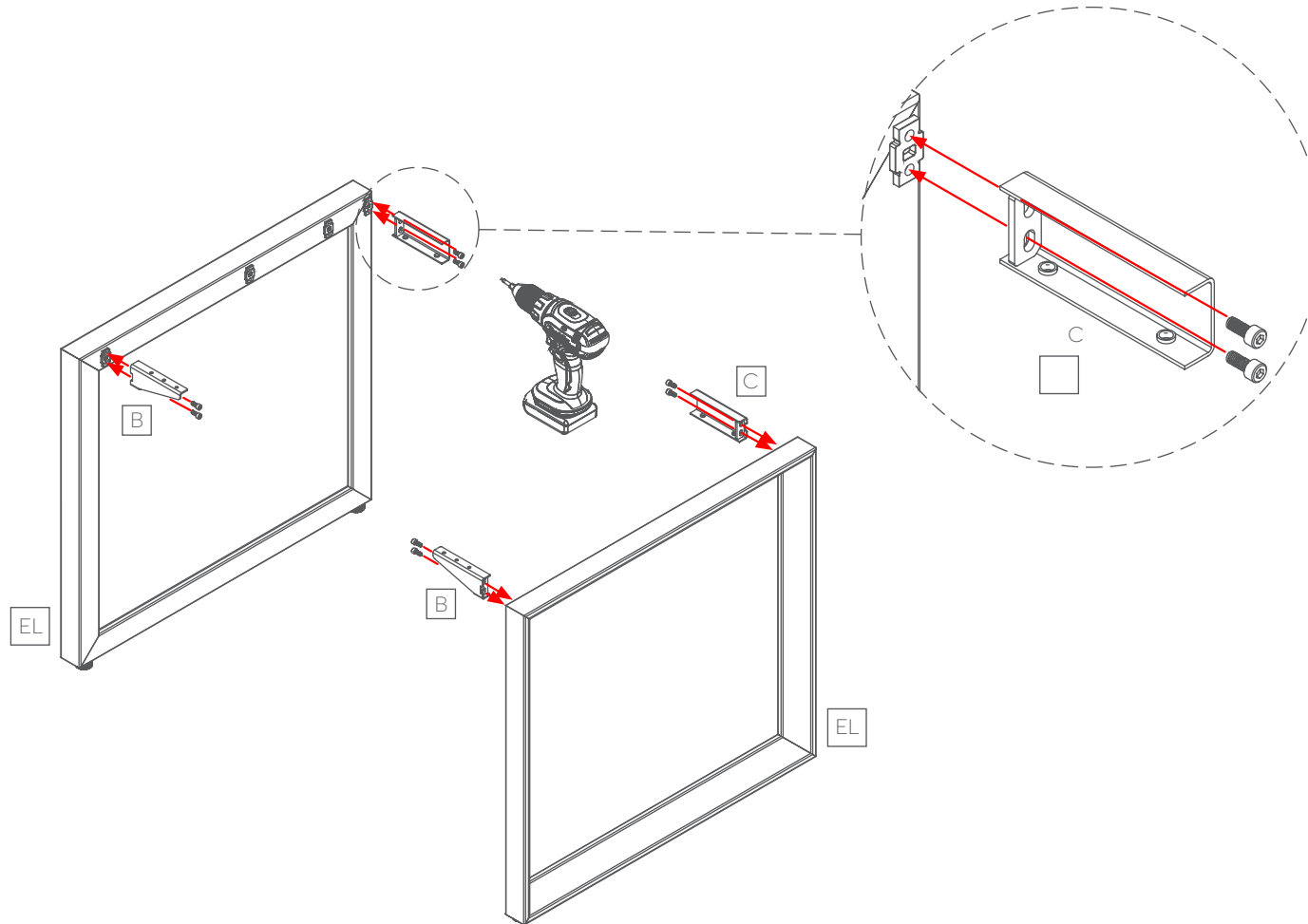
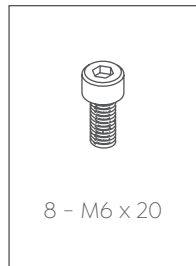


6 - ST6 x 23



6 - ST5 x 70

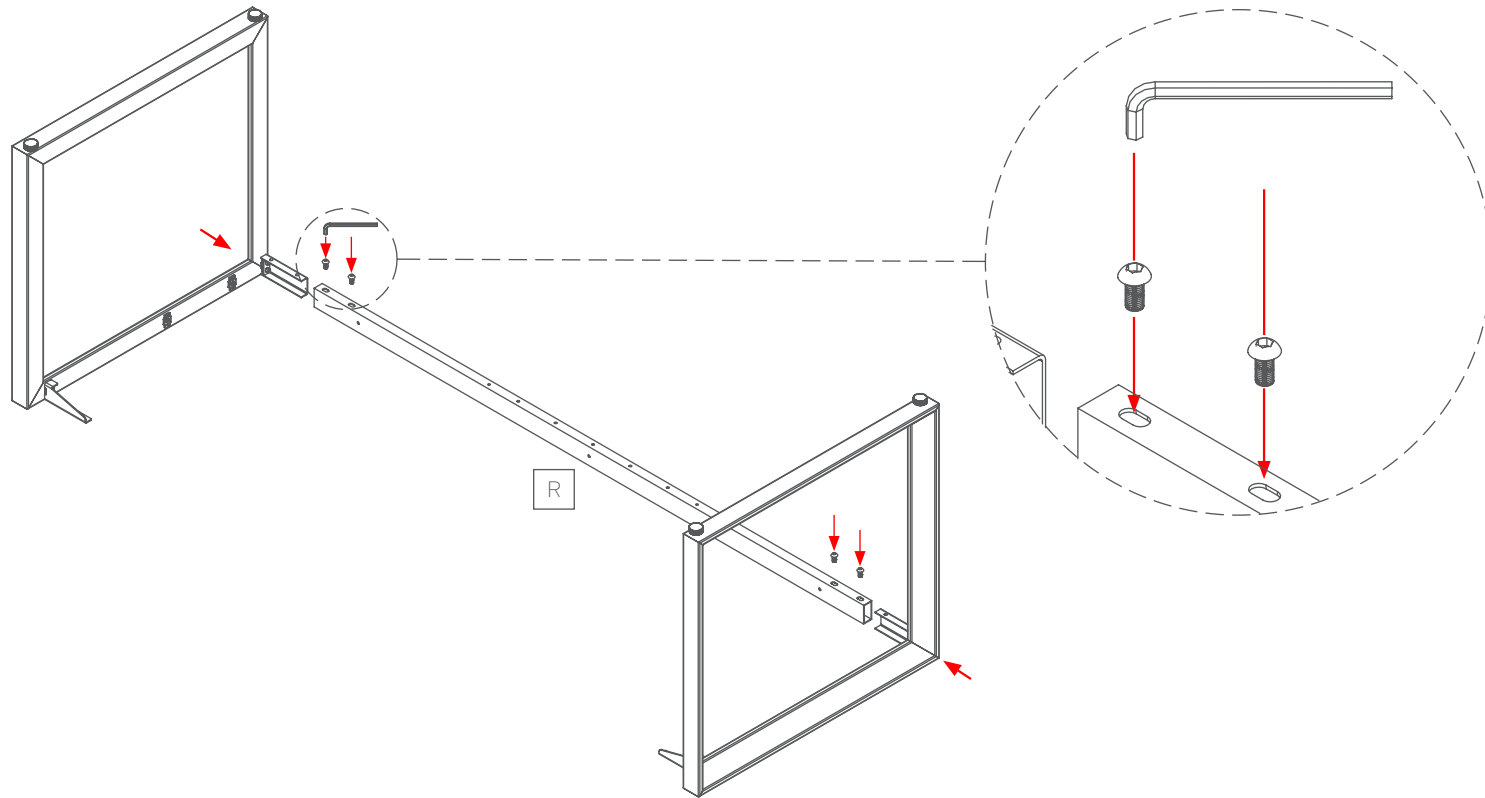
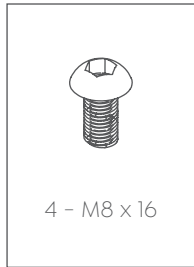
STEP 1:




Anvil Single Workspace

Assembly Instructions


STEP 2:



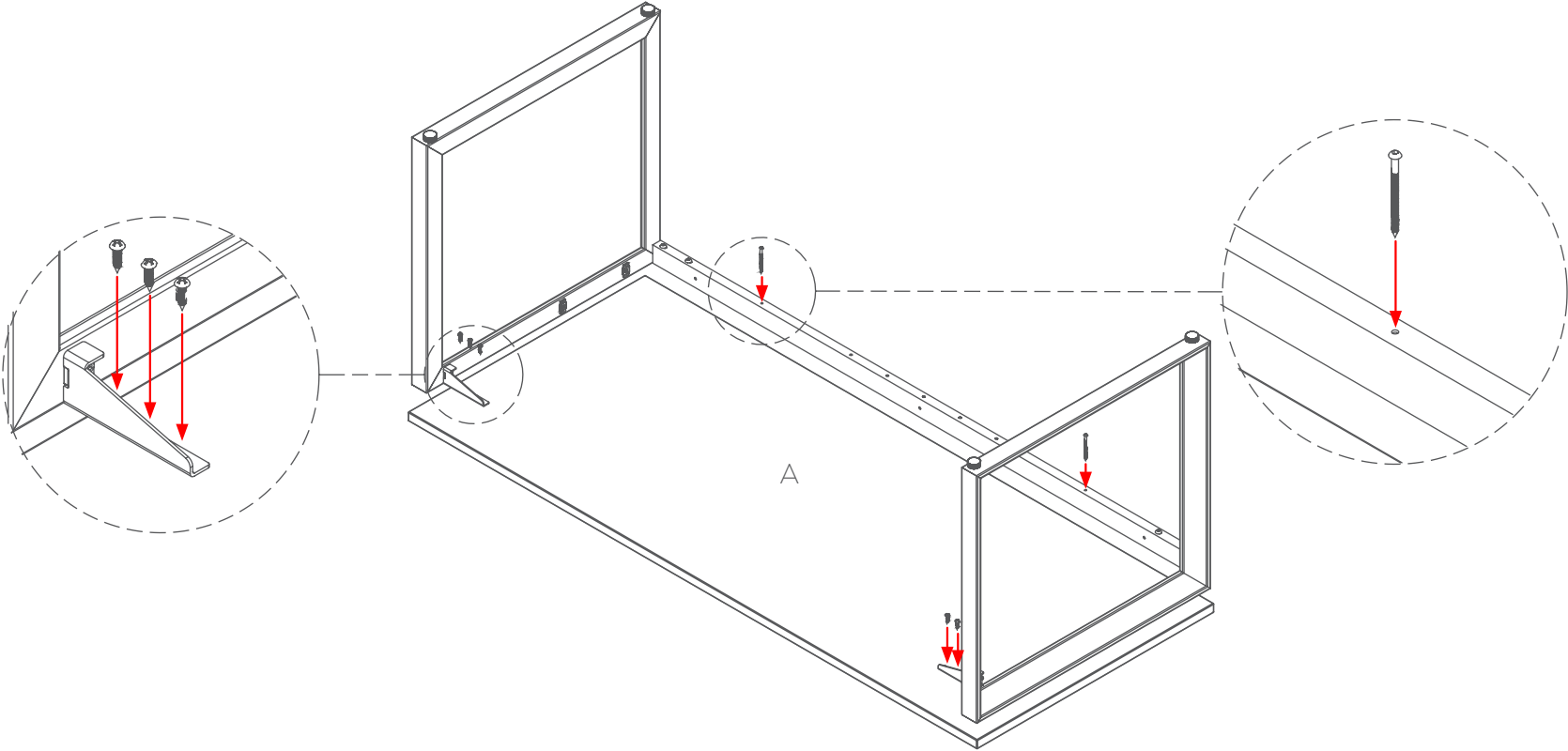
STEP 3:



8 - M6 x 20



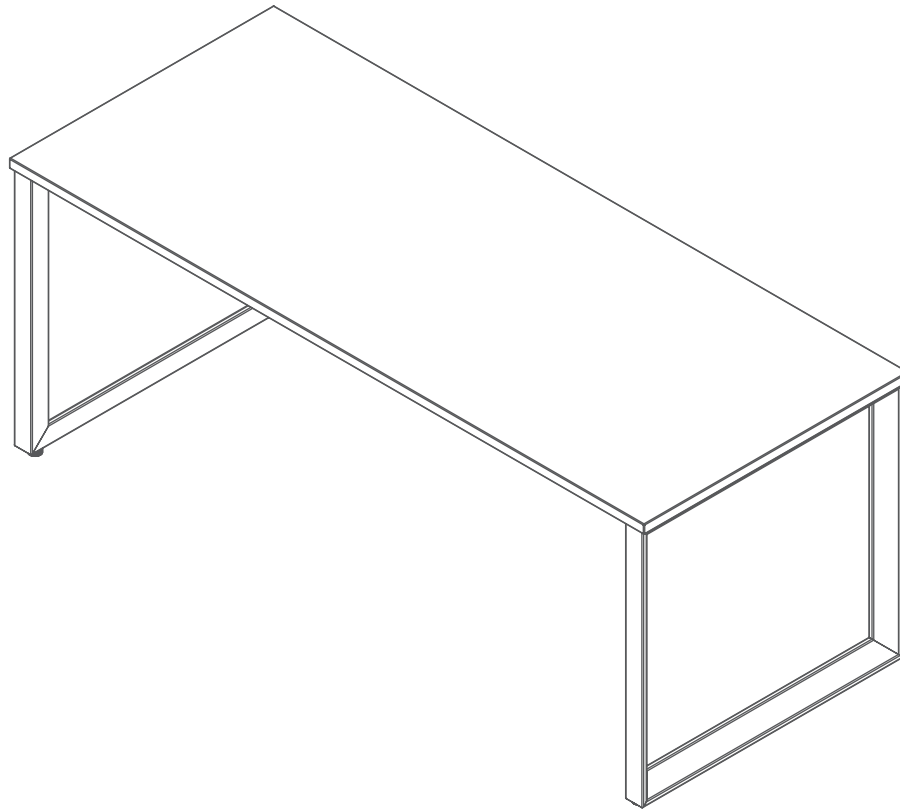
2 - M6 x 20



Anvil Single Workspace

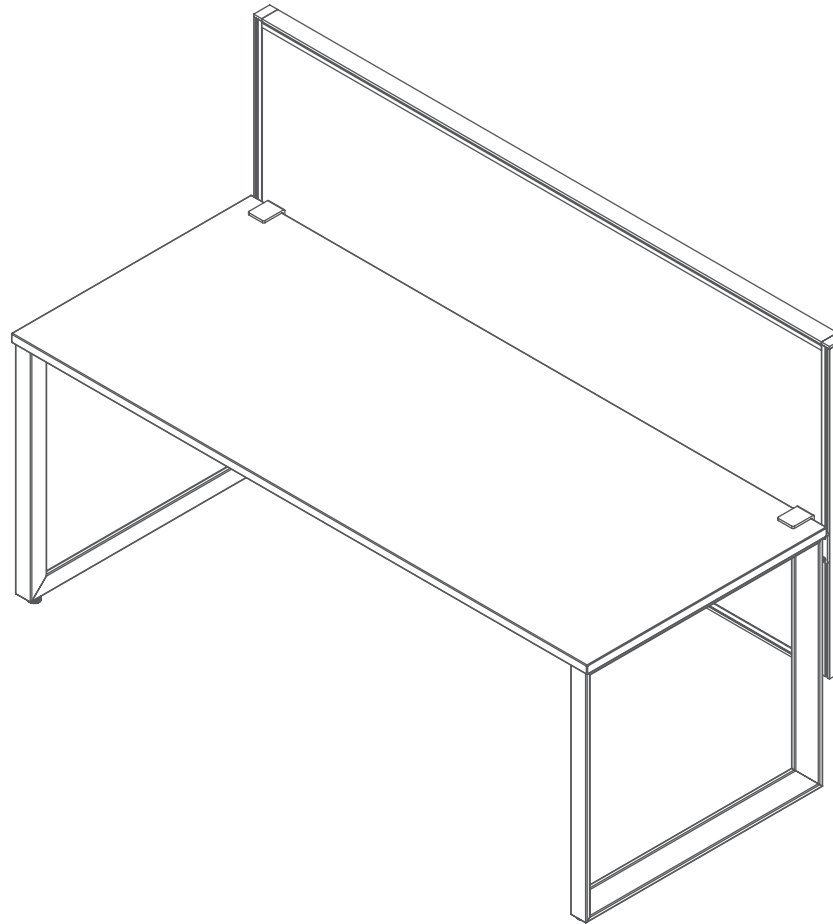
Assembly Instructions

Complete:



Optional Studio50 Desk Hung Screen

Assembly Instructions

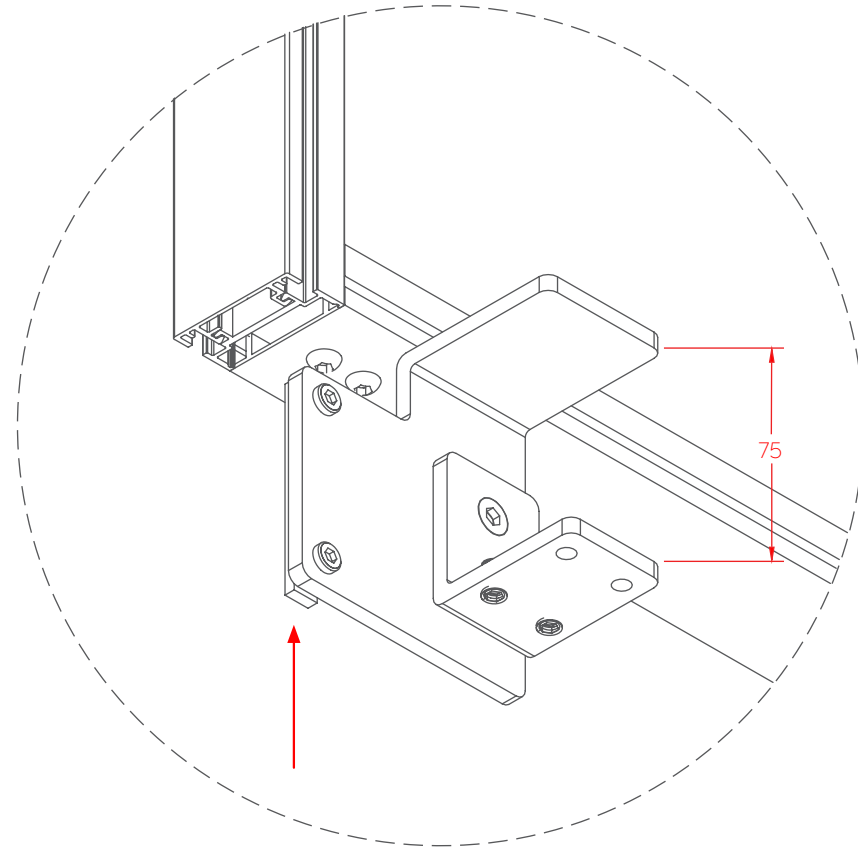
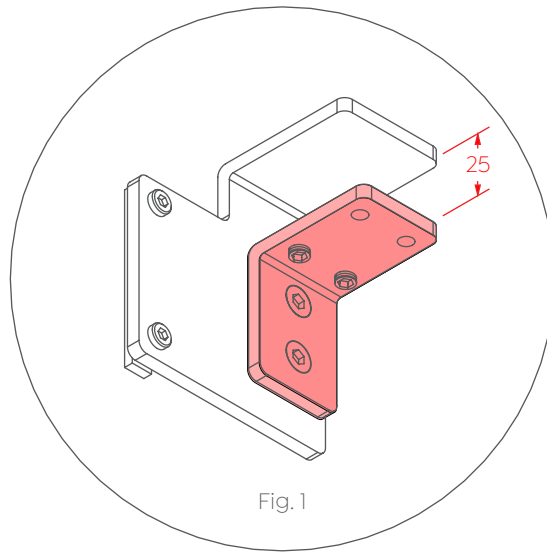


Studio50
Screens are
Australian
Made.

Optional Studio50 Desk Hung Screen

Assembly Instructions

STEP 1:

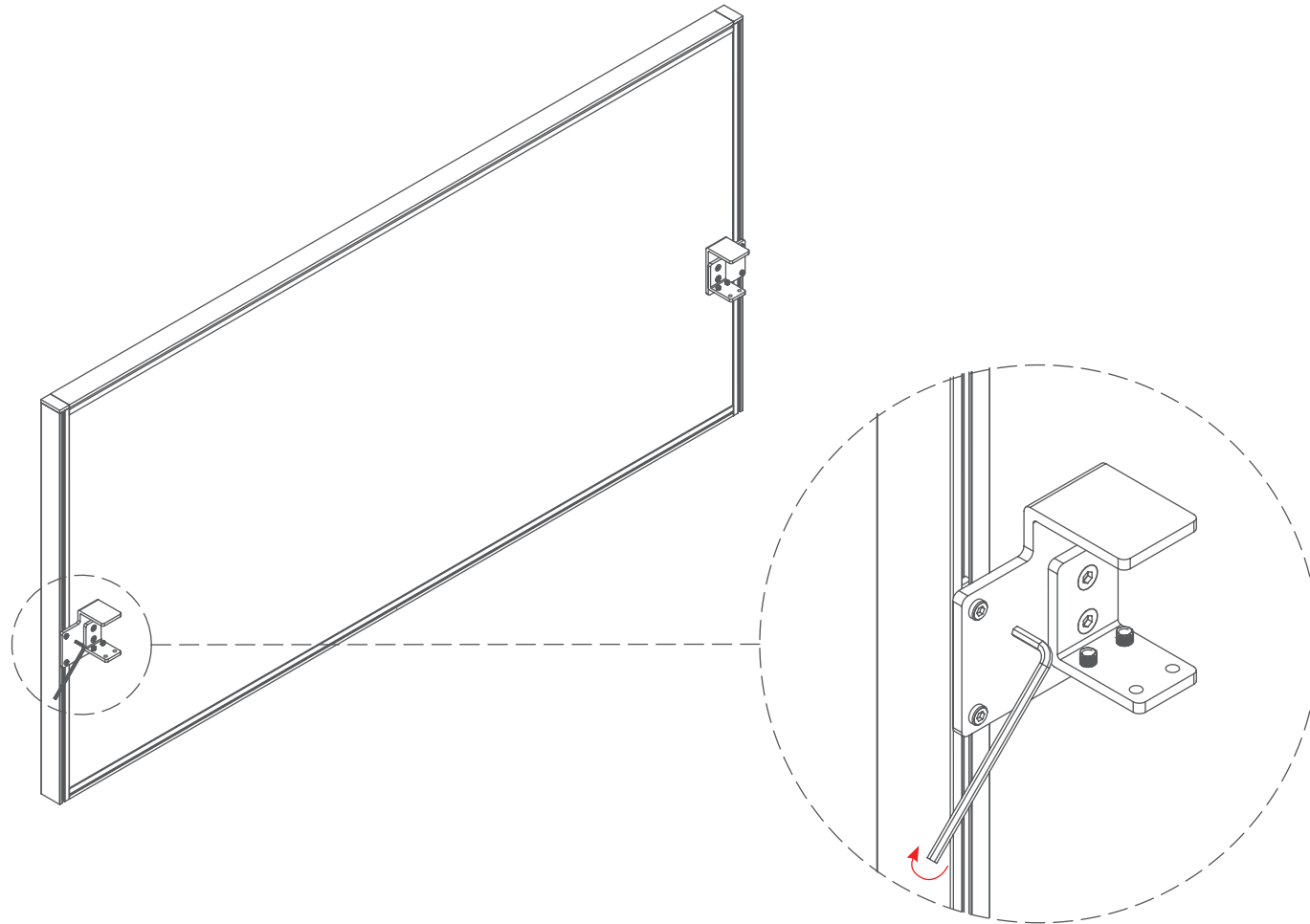


Note: Clamp can accommodate 25mm and 75mm thickness by rotating highlighted section of clamp in Fig. 1

Optional Studio50 Desk Hung Screen

Assembly Instructions

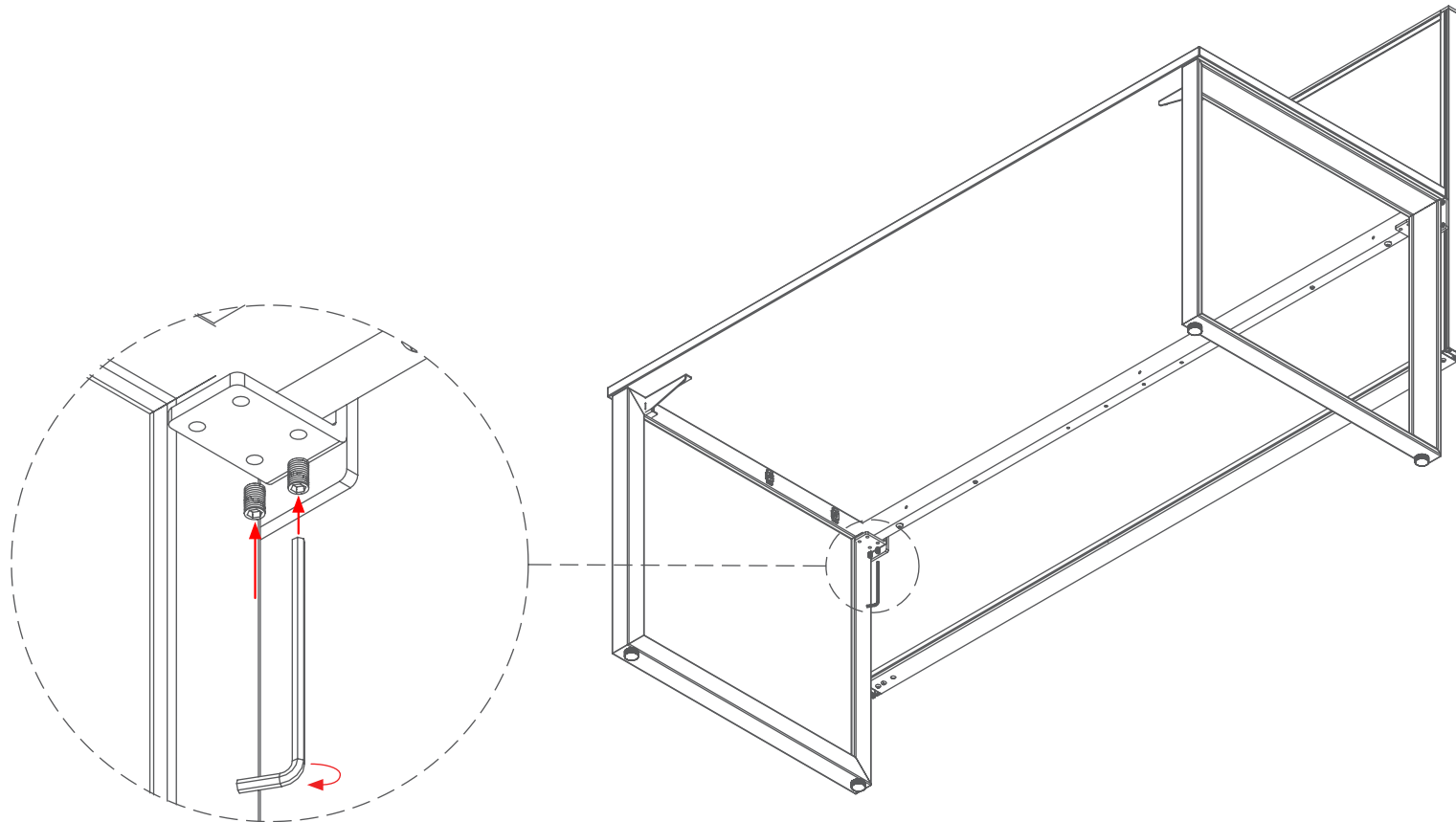
STEP 2:



Optional Studio50 Desk Hung Screen

Assembly Instructions

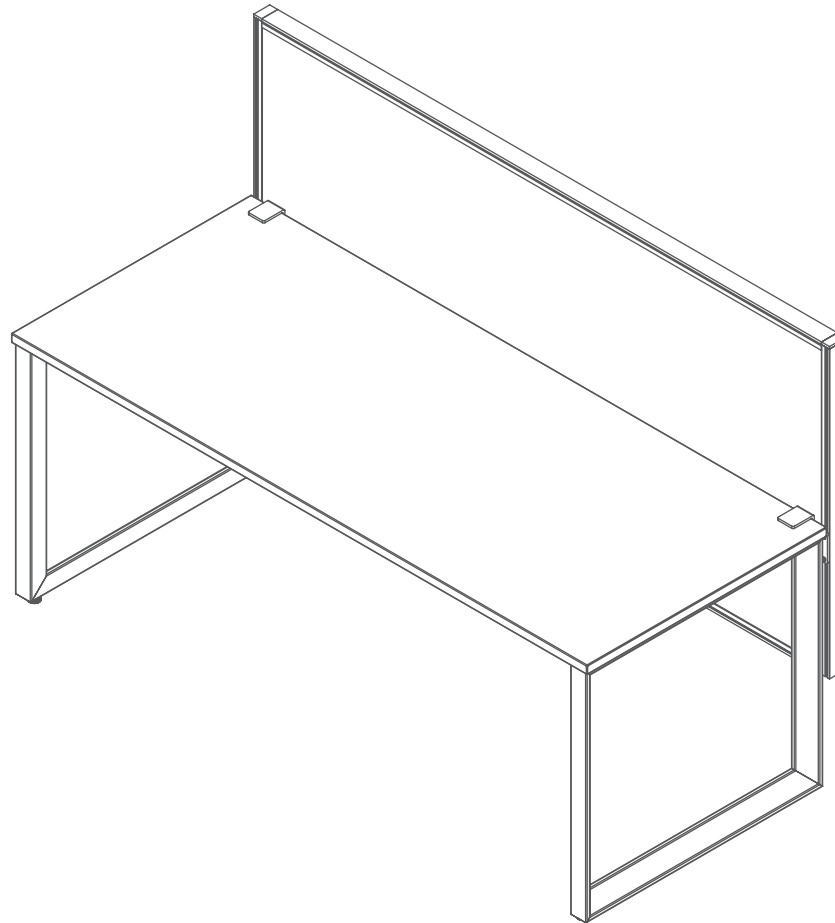
STEP 3:



Optional Studio50 Desk Hung Screen

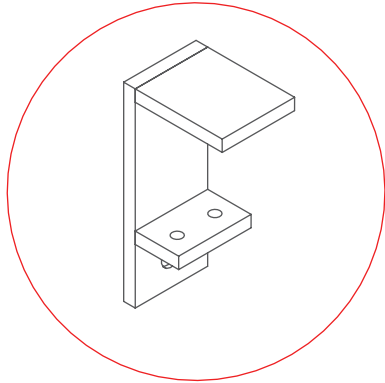
Assembly Instructions

Complete:

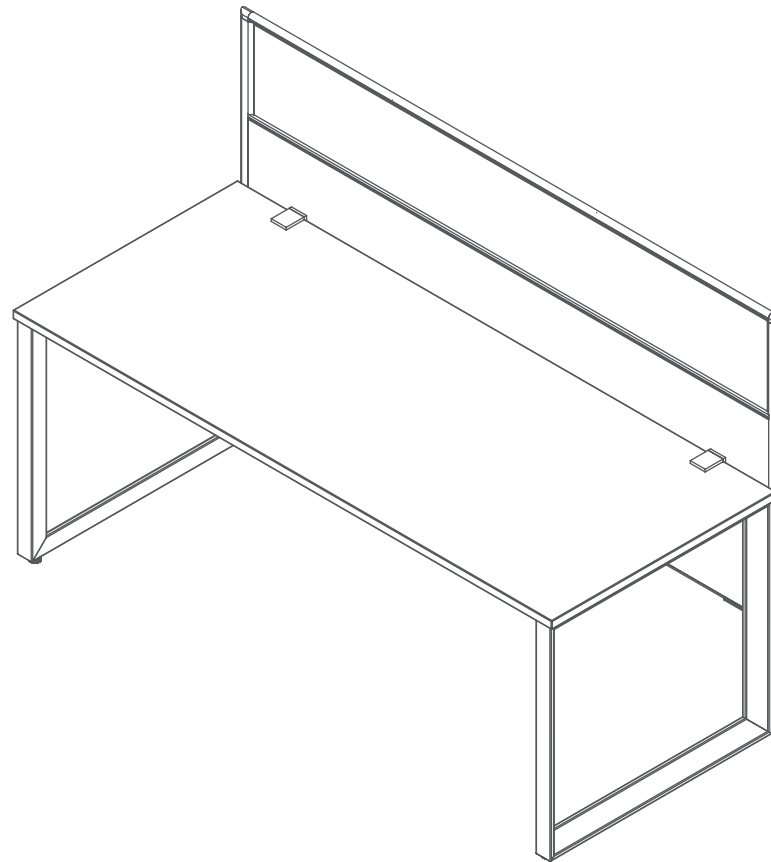


Optional Axis Standard Hung Screen

Assembly Instructions



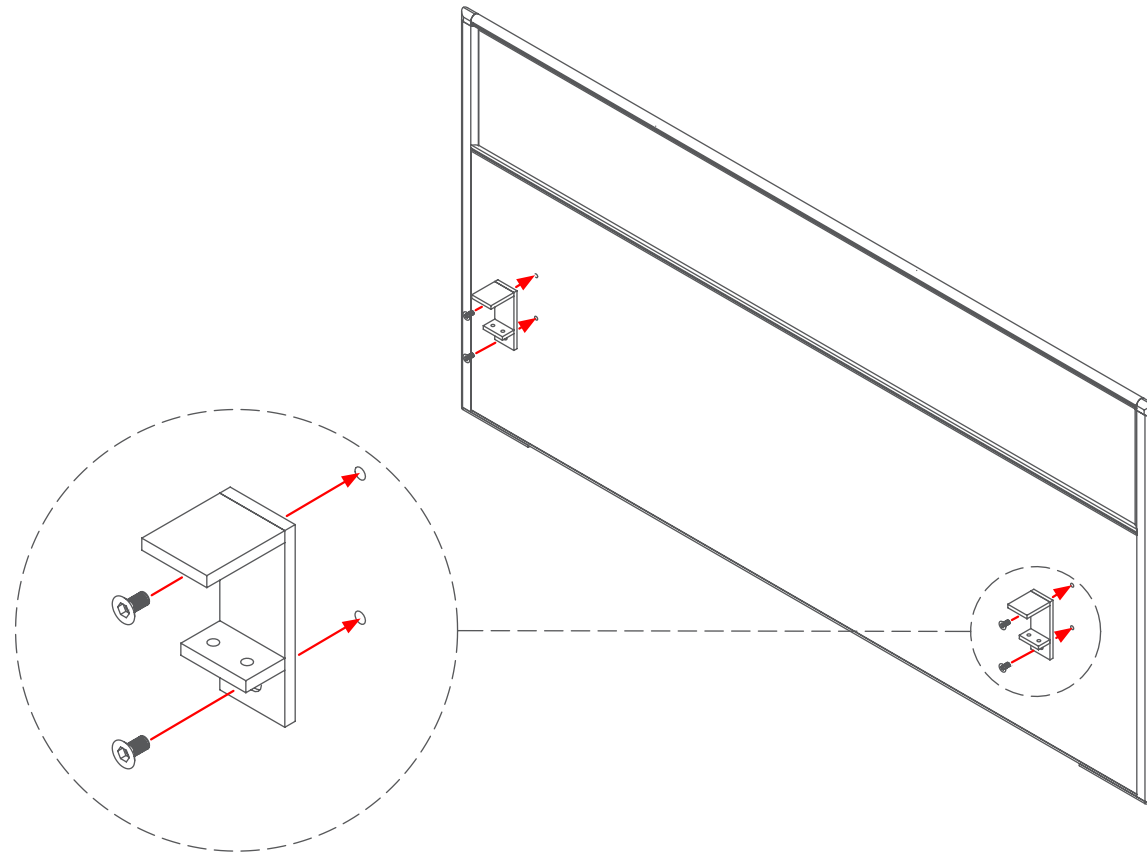
Standard Screen Bracket:
AX77SCR900



Optional Axis Standard Hung Screen

Assembly Instructions

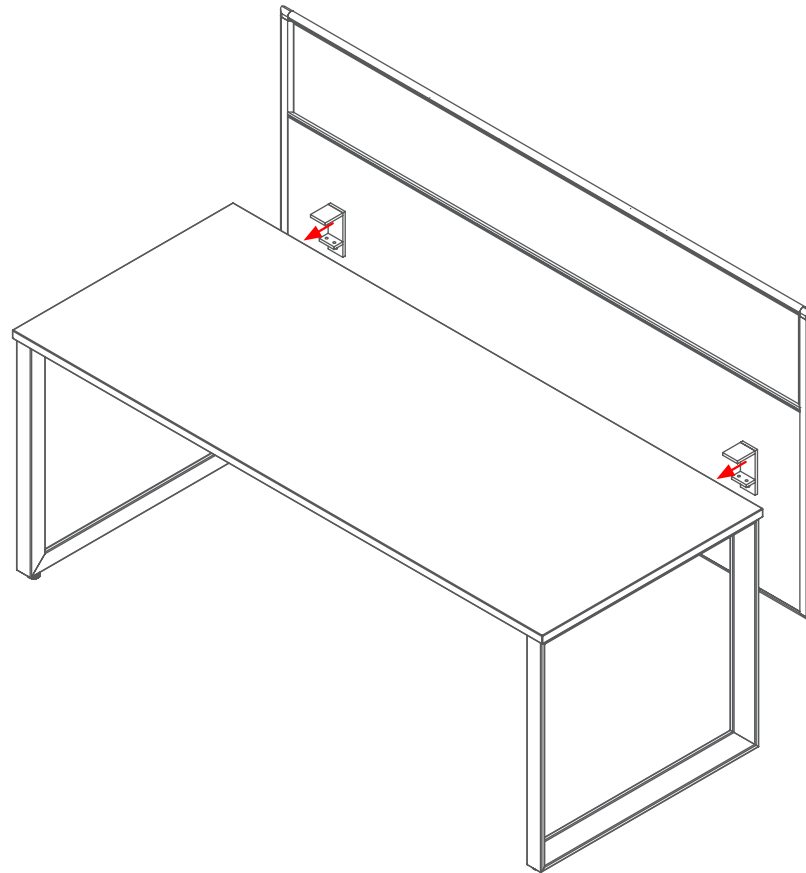
STEP 1:



Optional Axis Standard Hung Screen

Assembly Instructions

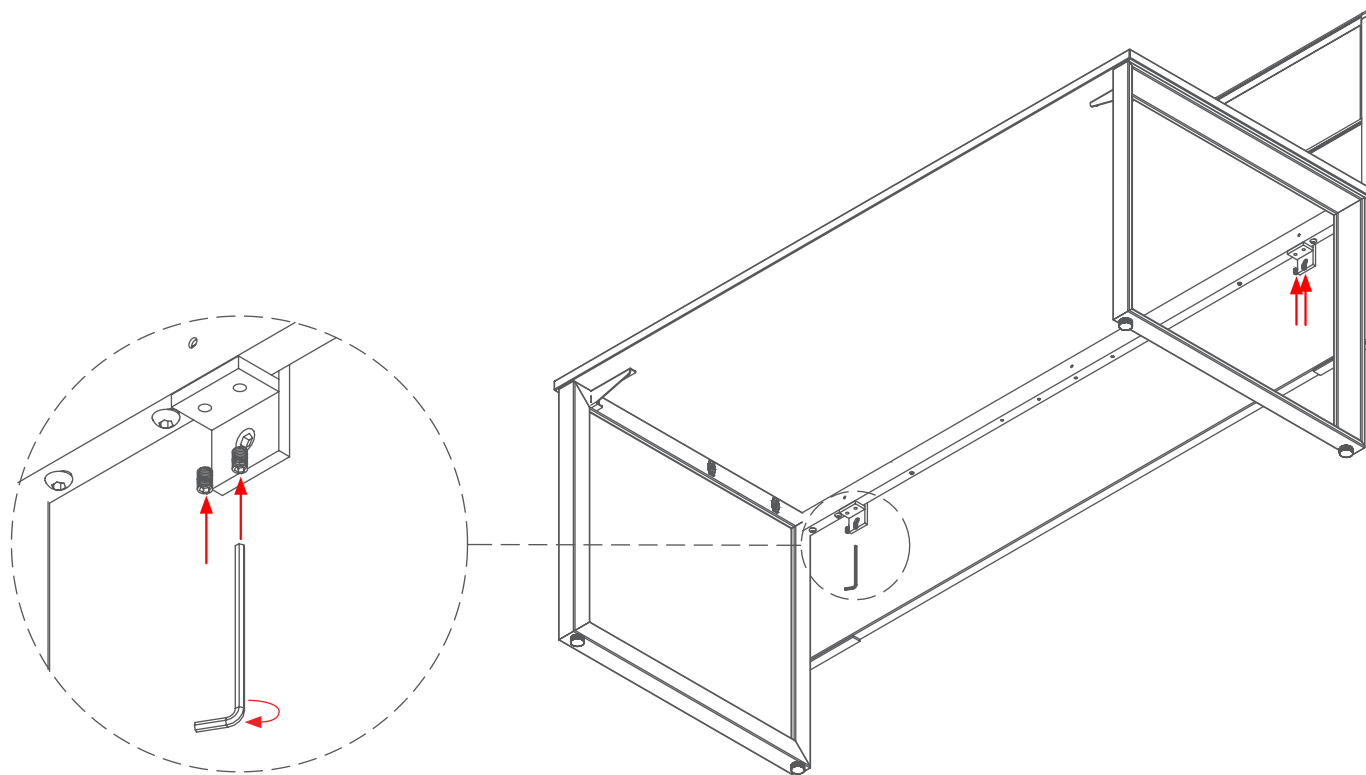
STEP 2:



Optional Axis Standard Hung Screen

Assembly Instructions

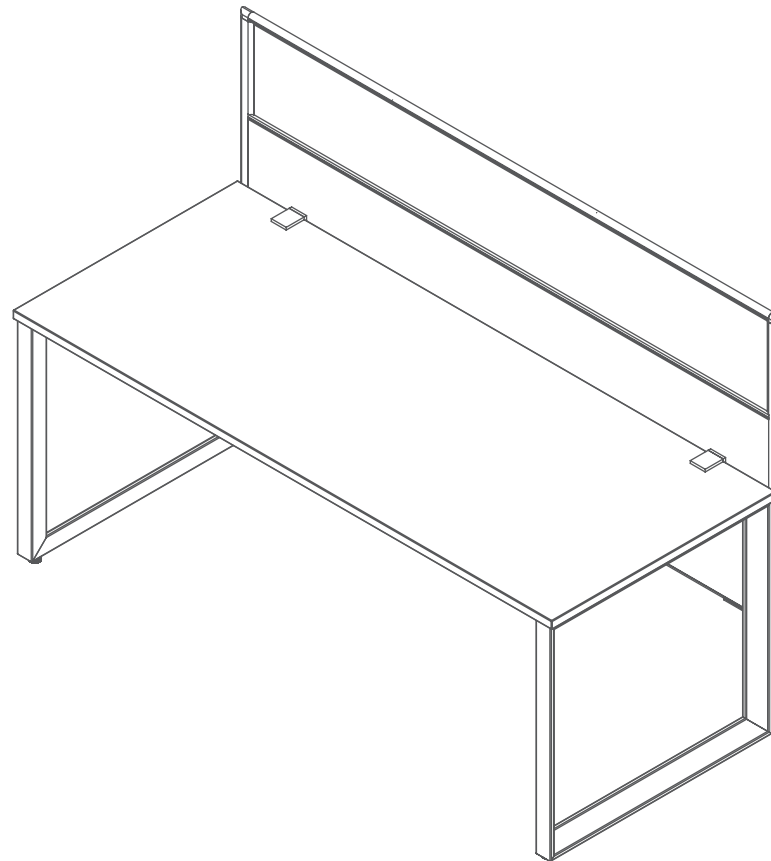
STEP 3:



Optional Axis Standard Hung Screen

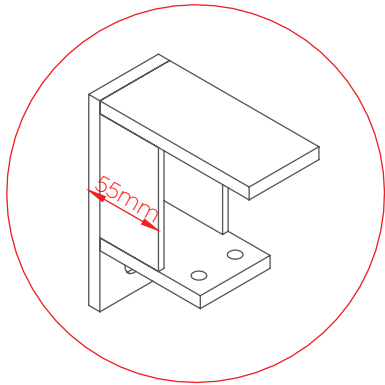
Assembly Instructions

Complete:

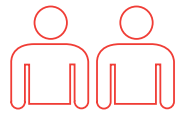


Optional Axis Offset Hung Screen

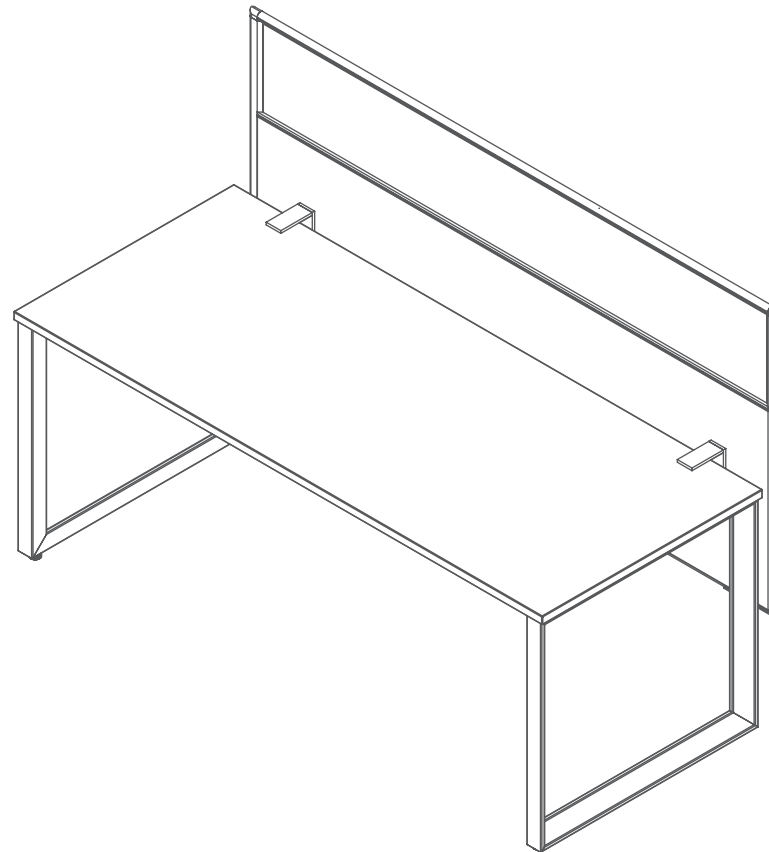
Assembly Instructions



Standard Screen Bracket:
AX77SCR955



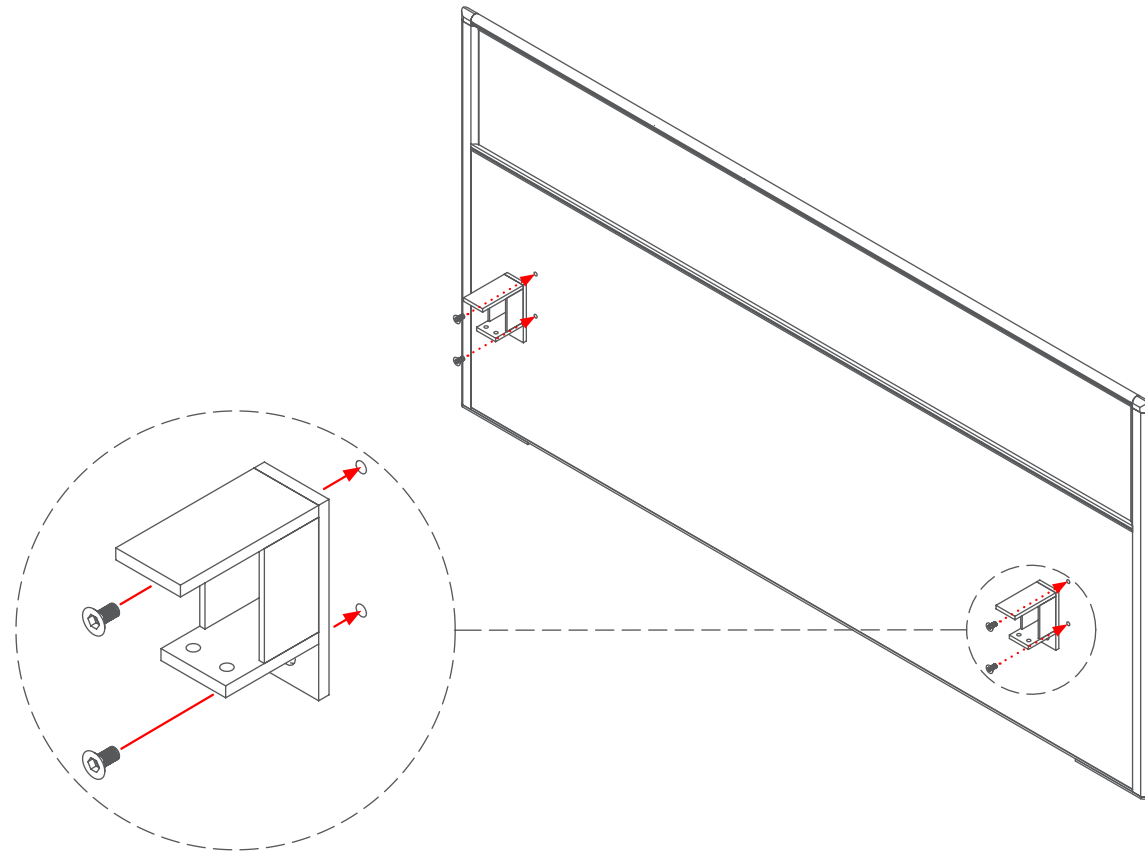
Recommended
2 - person Step



Optional Axis Standard Hung Screen

Assembly Instructions

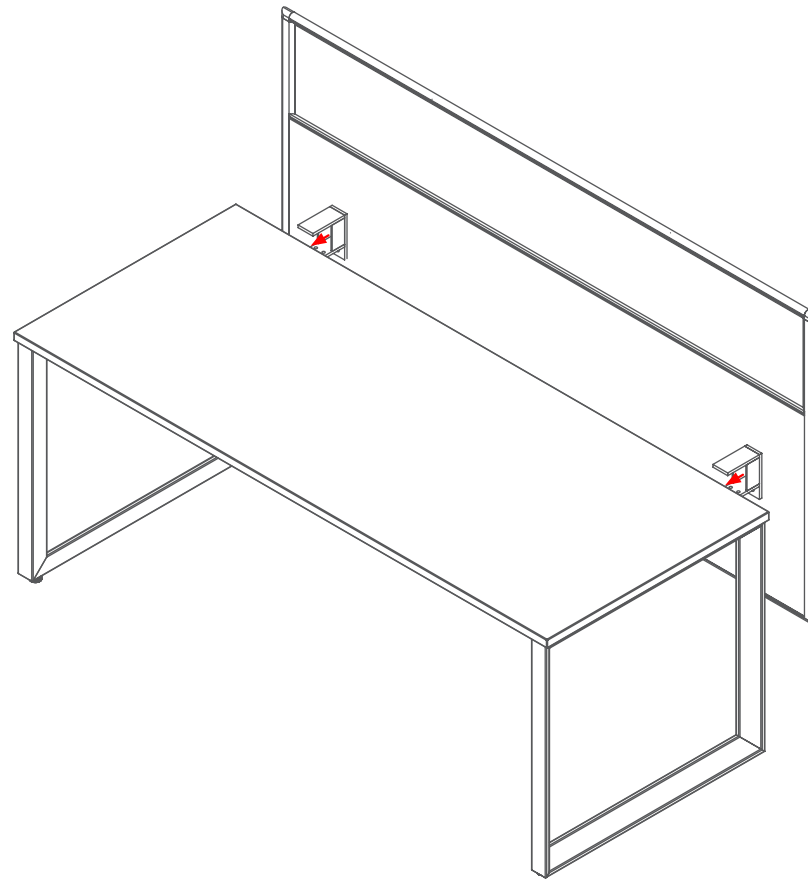
STEP 1:



Optional Axis Offset Hung Screen

Assembly Instructions

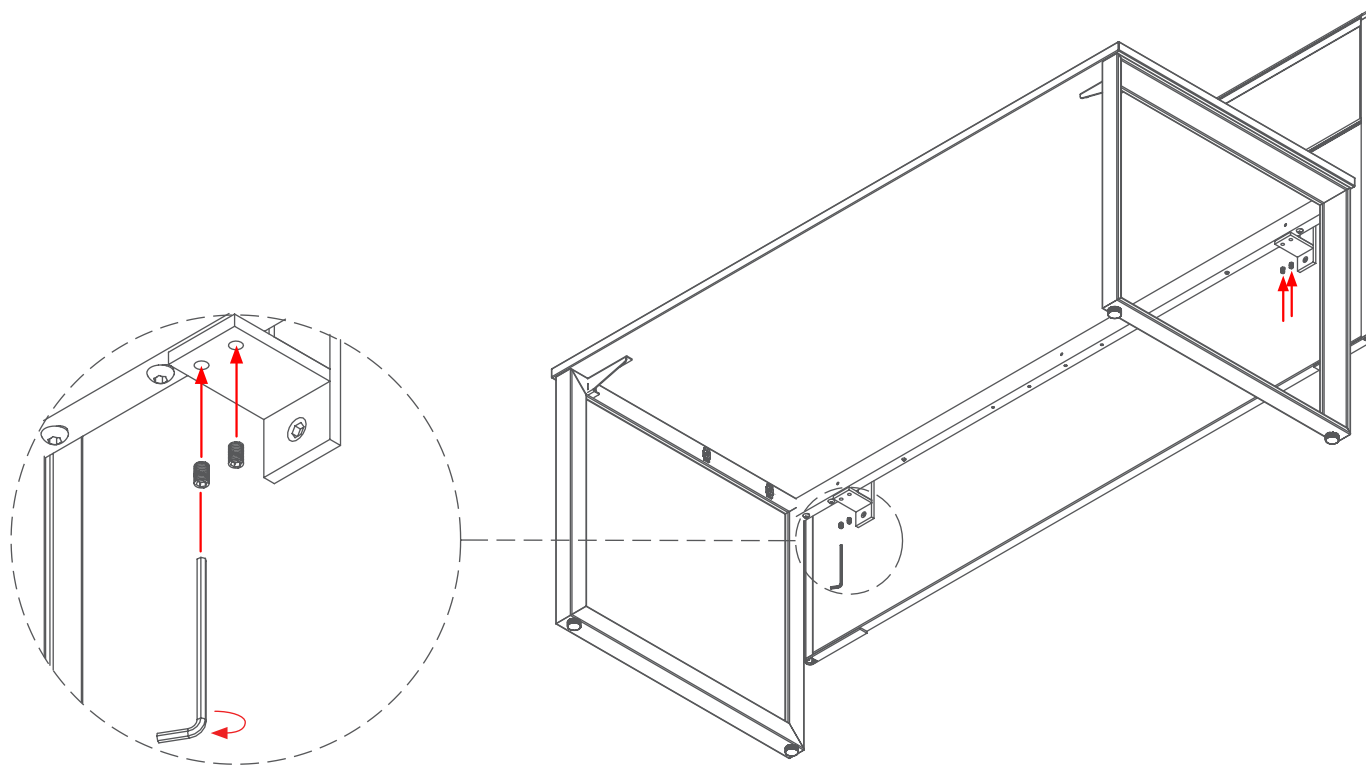
STEP 2:



Optional Axis Standard Hung Screen

Assembly Instructions

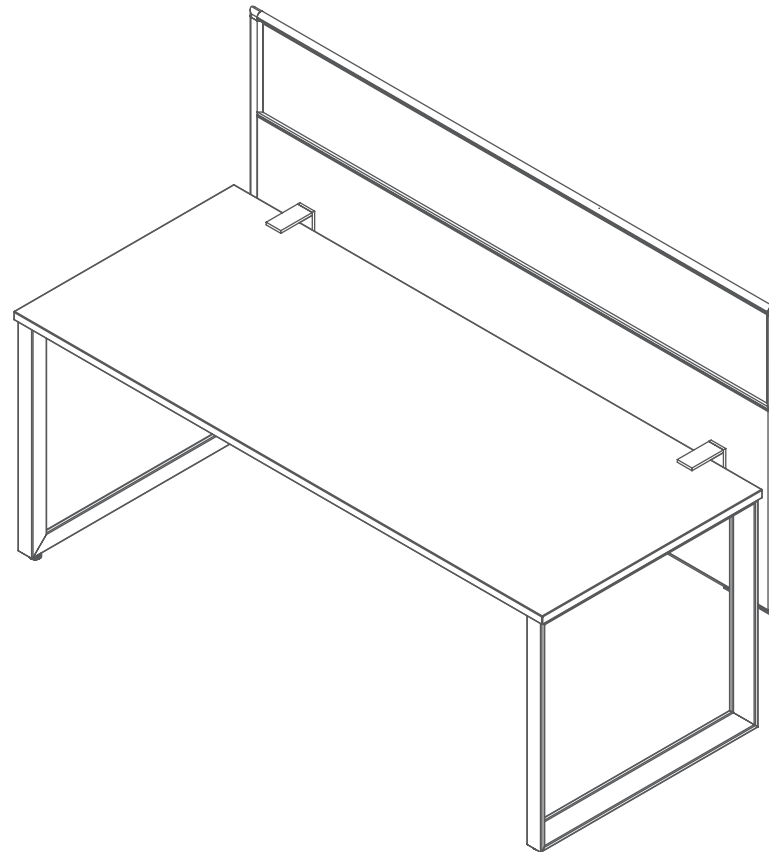
STEP 3:



Optional Axis Offset Hung Screen

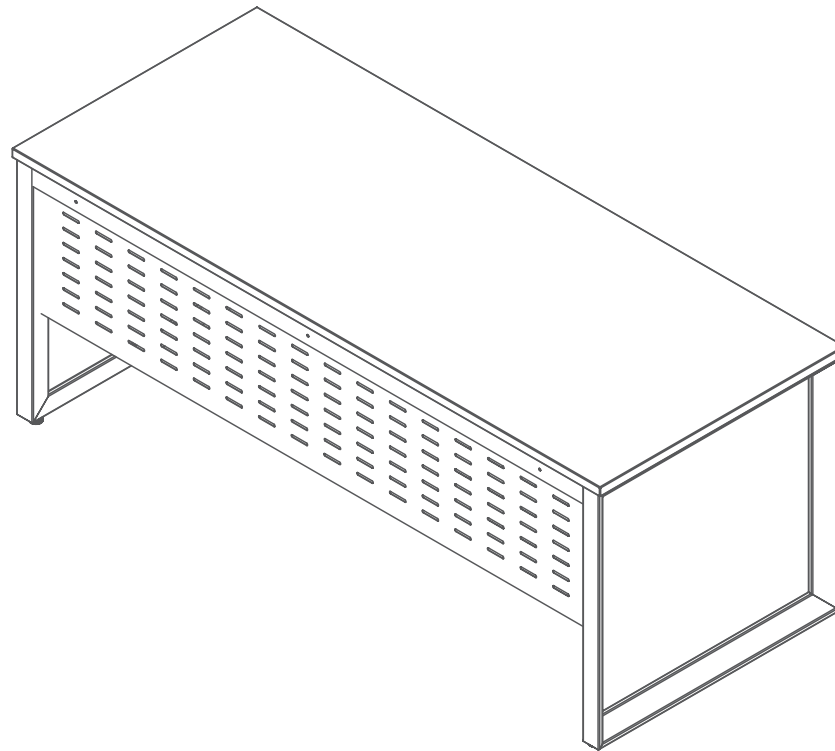
Assembly Instructions

Complete:



Optional Axis with Metal Modesty Panel

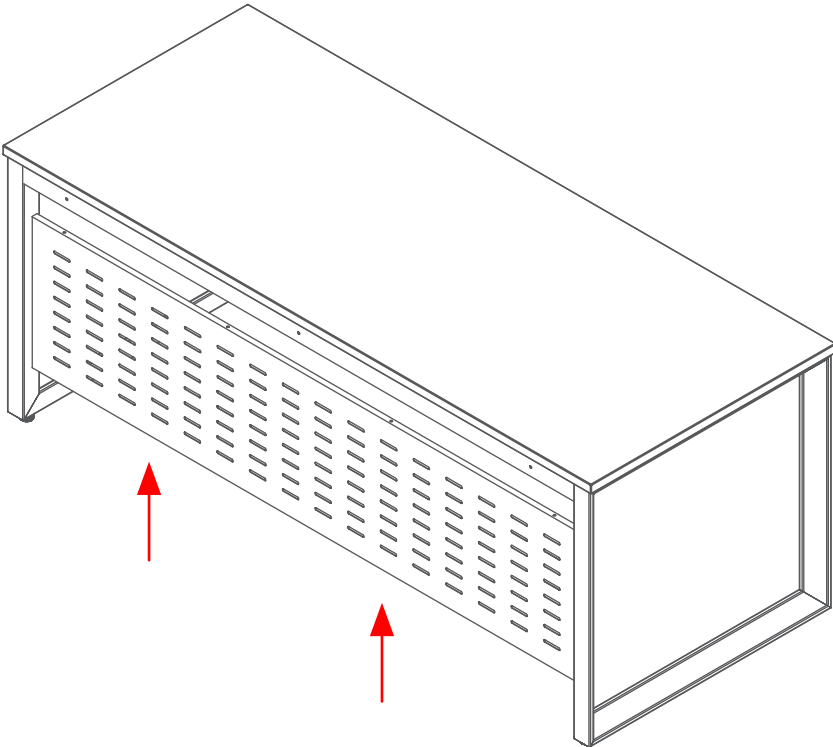
Assembly Instructions



Optional Axis with Metal Modesty Panel

Assembly Instructions

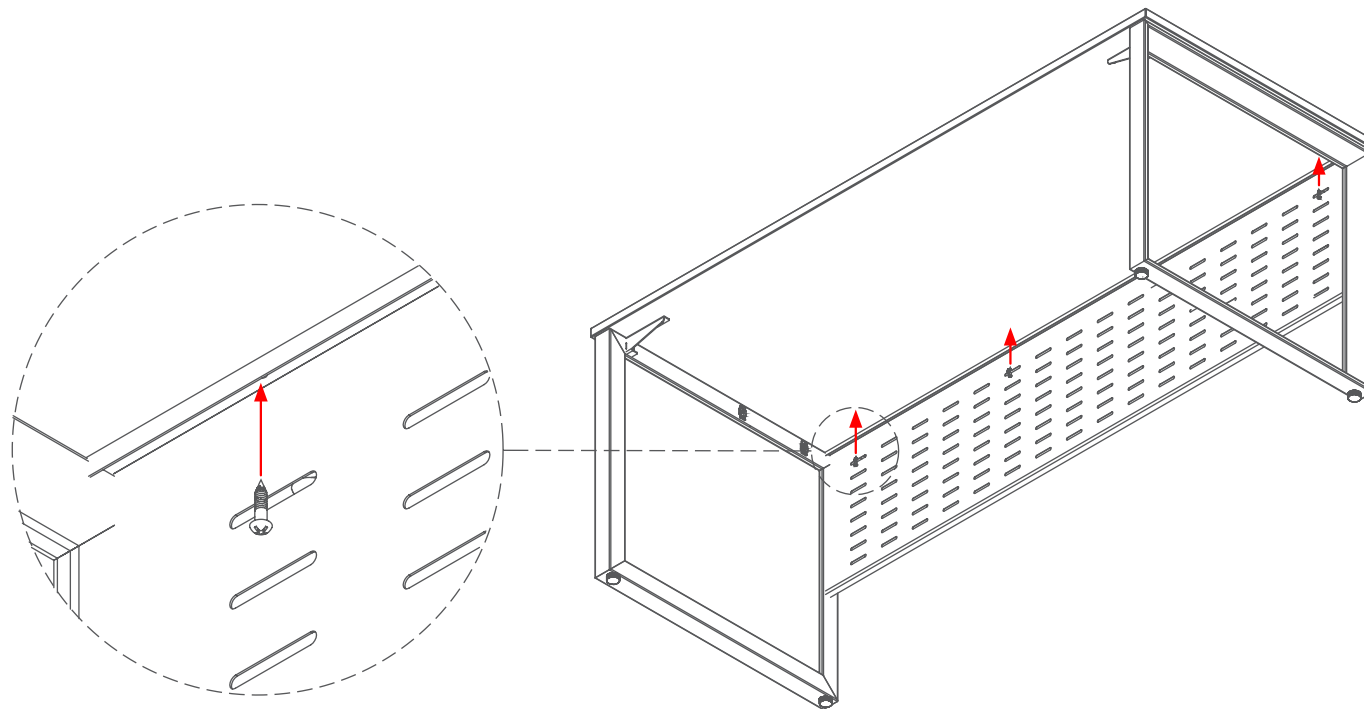
STEP 1:



Optional Axis with Metal Modesty Panel

Assembly Instructions

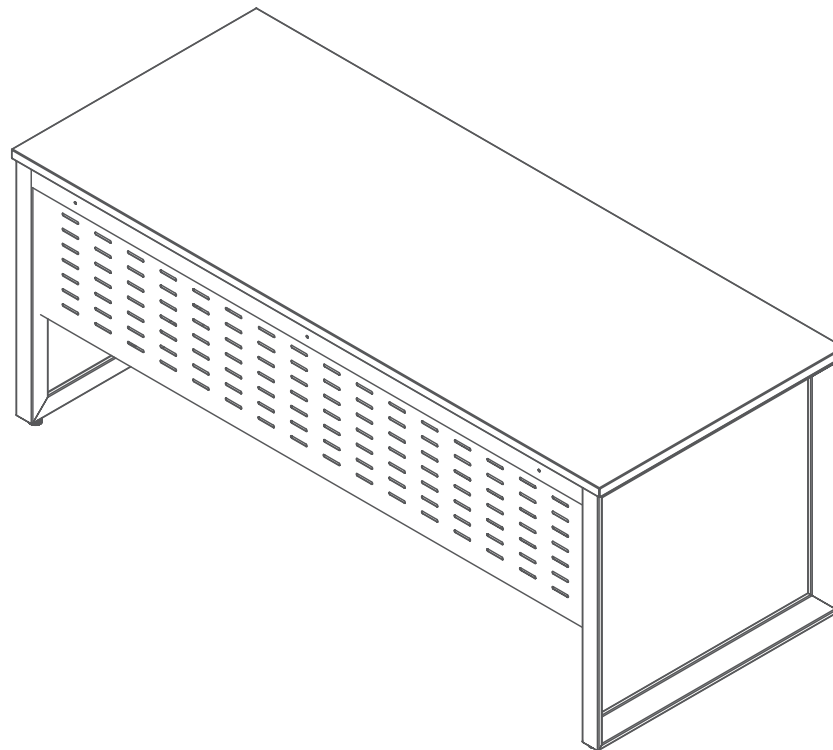
STEP 2:



Optional Axis with Metal Modesty Panel

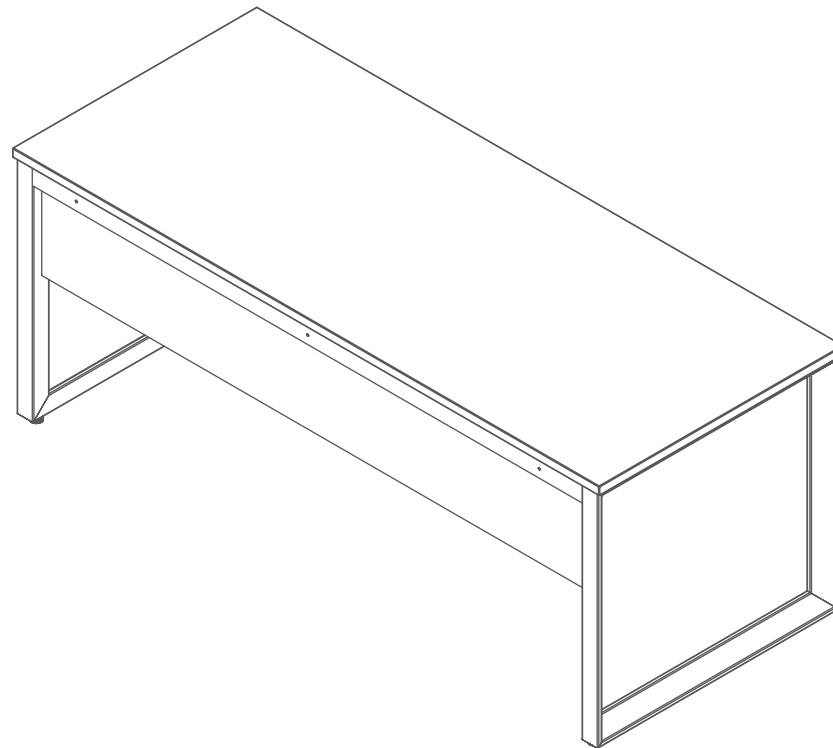
Assembly Instructions

Complete:



Optional Axis with Melamine Modesty Panel

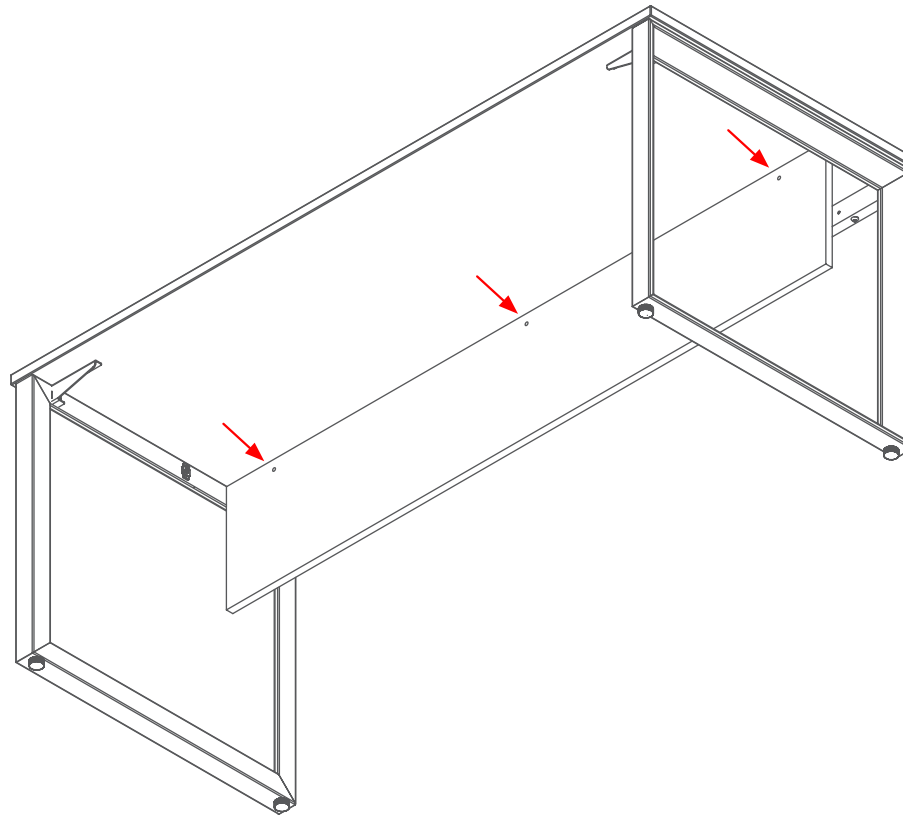
Assembly Instructions



Optional Axis with Melamine Modesty Panel

Assembly Instructions

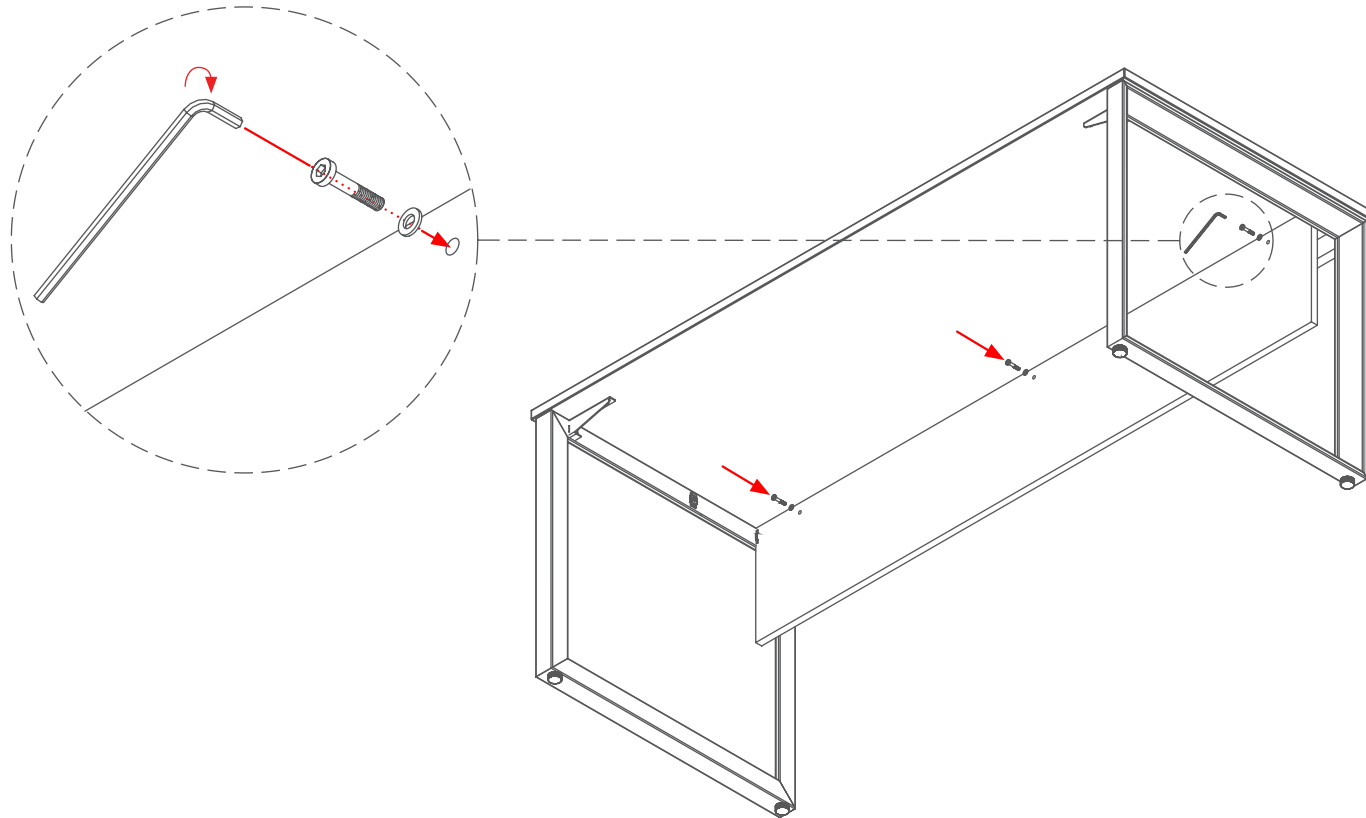
STEP 1:



Optional Axis with Melamine Modesty Panel

Assembly Instructions

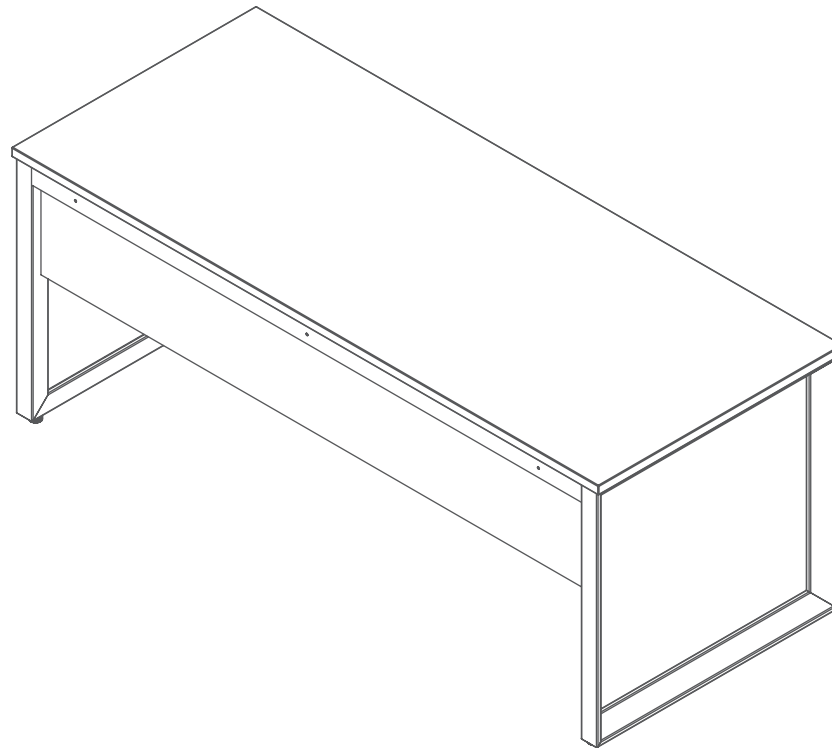
STEP 2:



Optional Axis with Melamine Modesty Panel

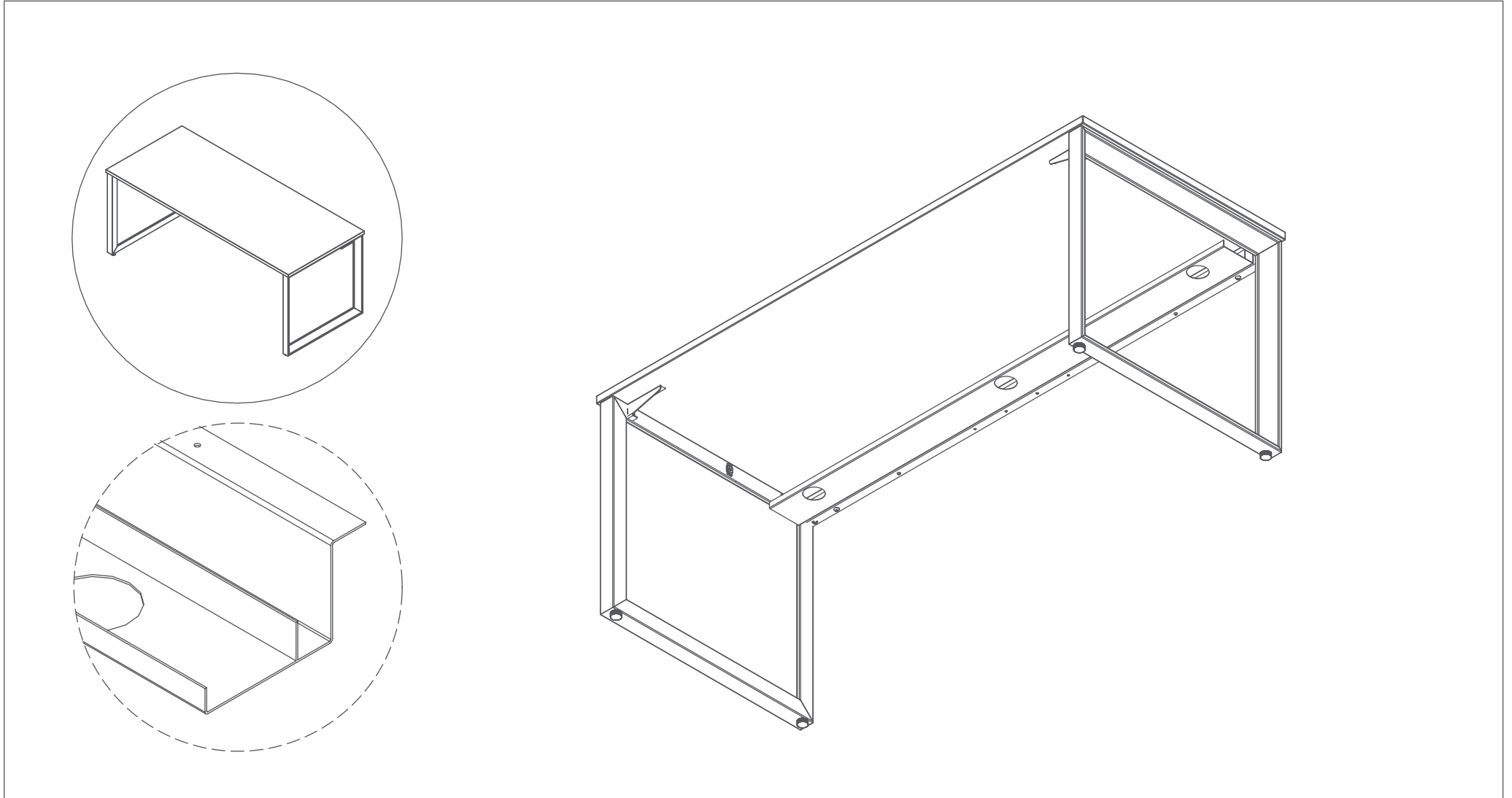
Assembly Instructions

Complete:



Optional Cable Dump Tray with Top Lip Fixing

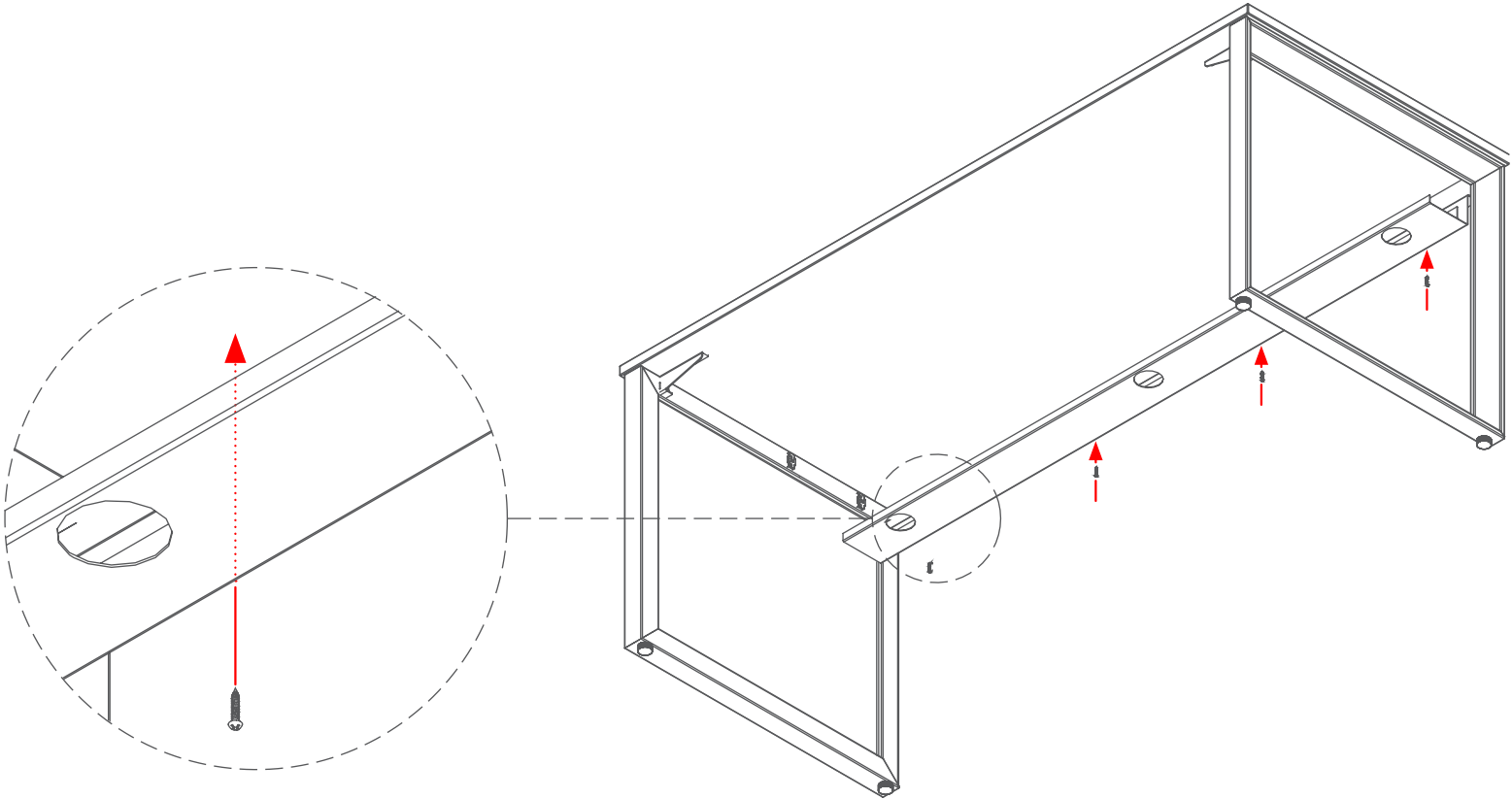
Assembly Instructions



Optional Cable Dump Tray with Top Lip Fixing

Assembly Instructions

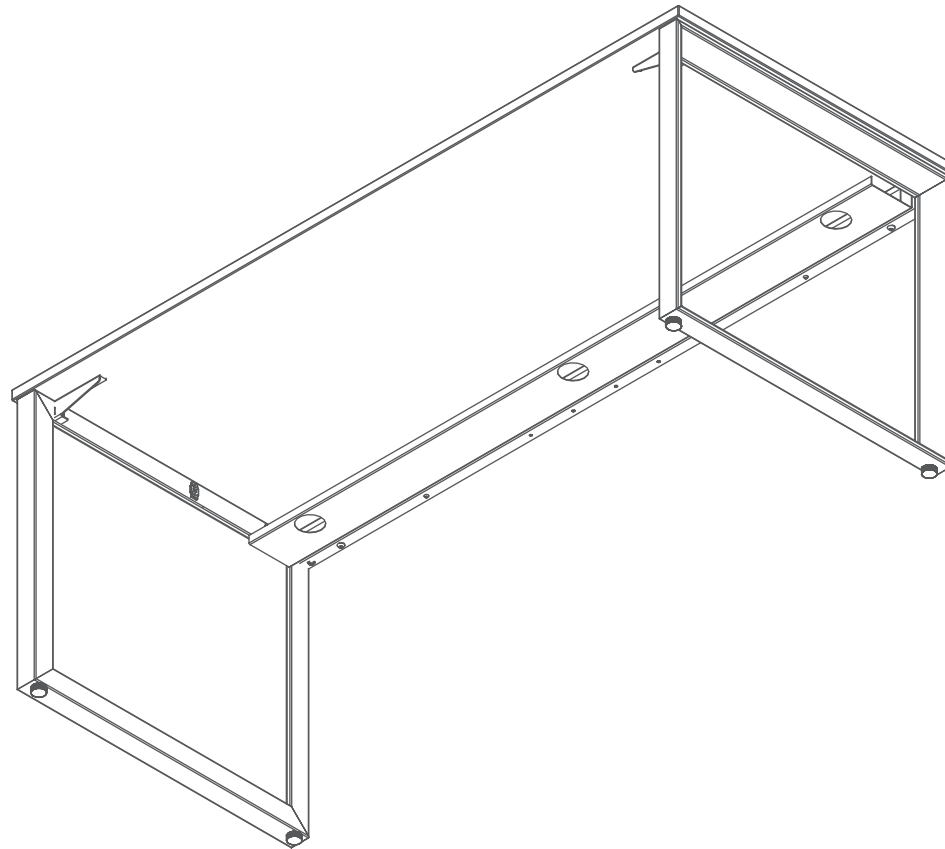
STEP 1:



Optional Cable Dump Tray with Top Lip Fixing

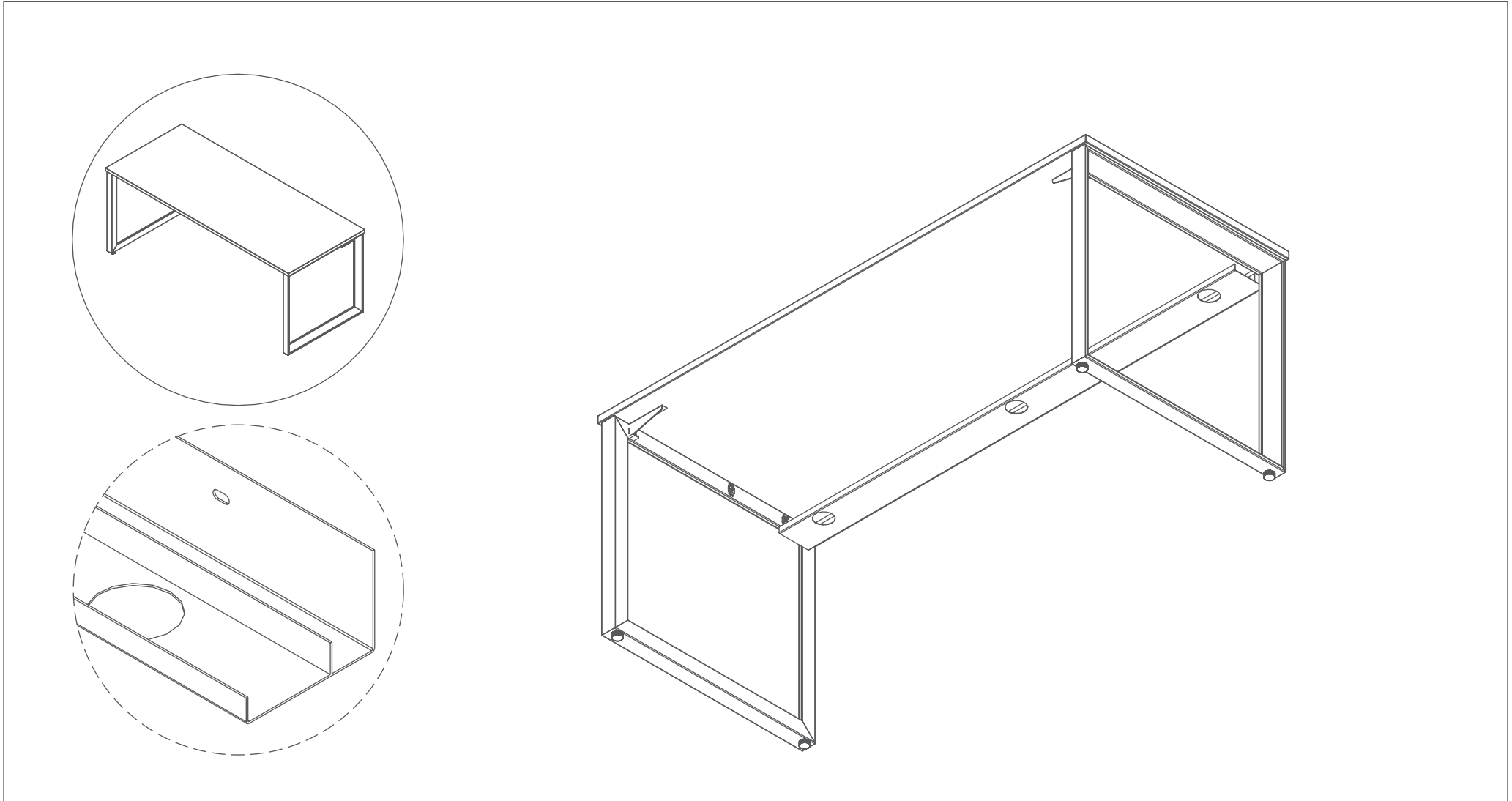
Assembly Instructions

Complete:



Optional Cable Dump Tray with Side Fixing

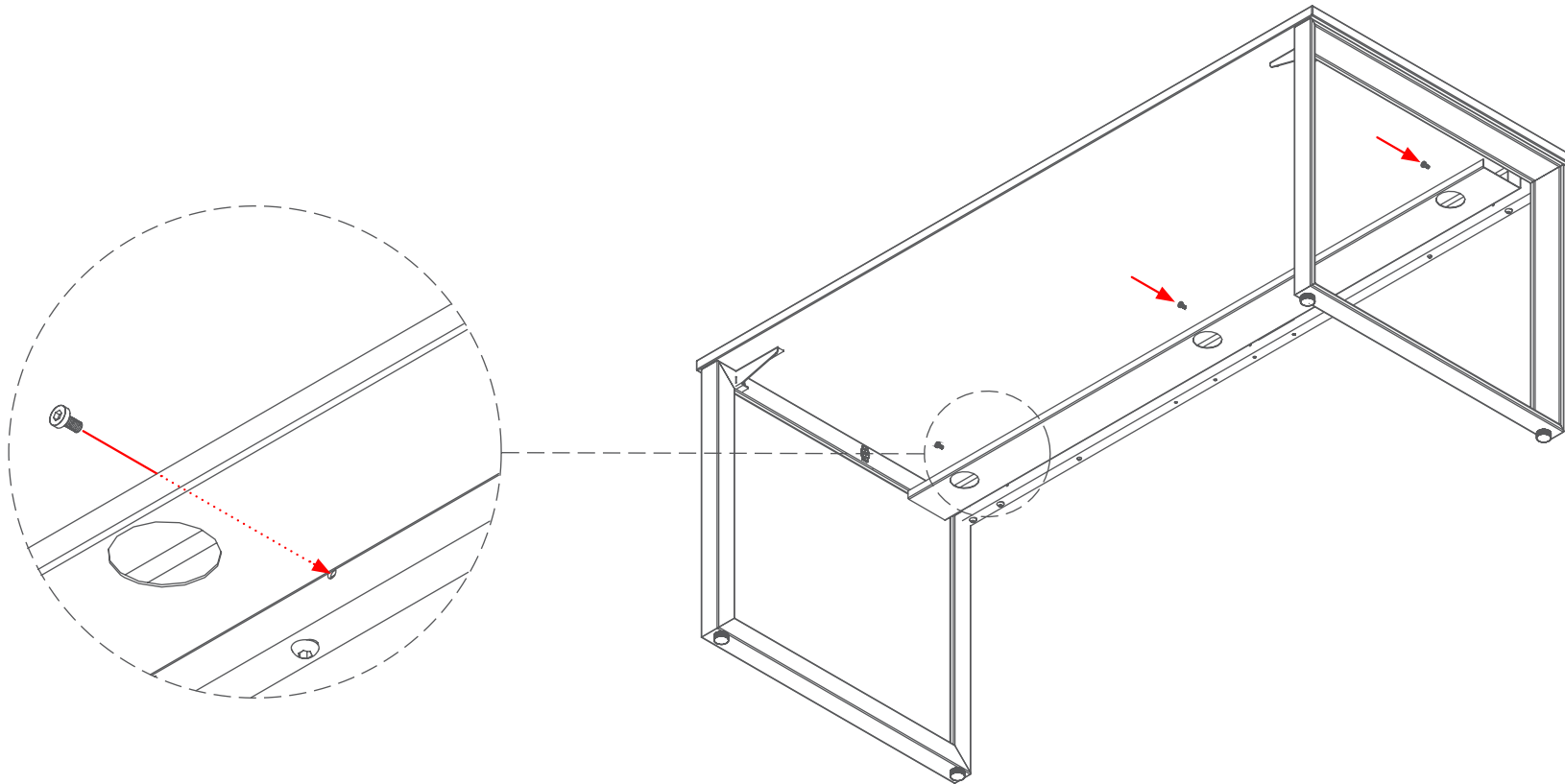
Assembly Instructions



Optional Cable Dump Tray with Top Lip Fixing

Assembly Instructions

STEP 1:



Optional Cable Dump Tray with Side Fixing

Assembly Instructions

Complete:

