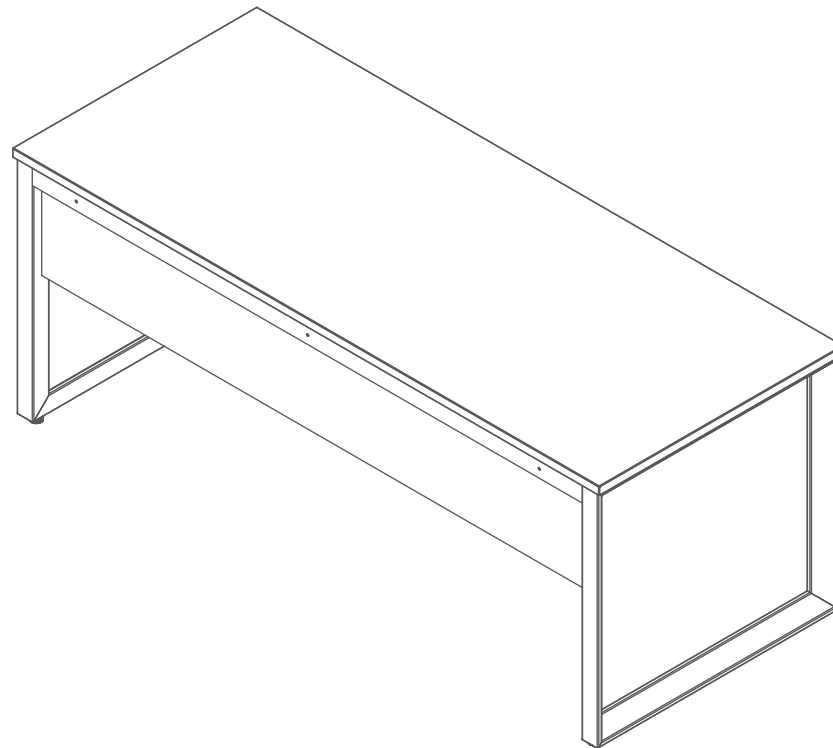


Optional Axis with Melamine Modesty Panel

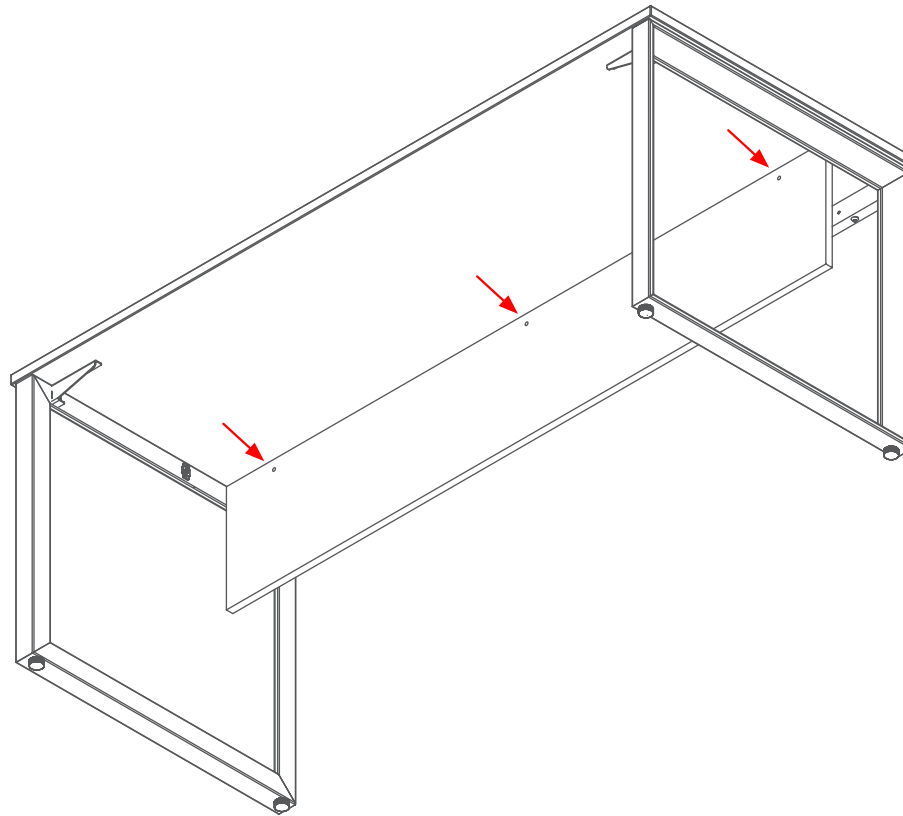
Assembly Instructions



Optional Axis with Melamine Modesty Panel

Assembly Instructions

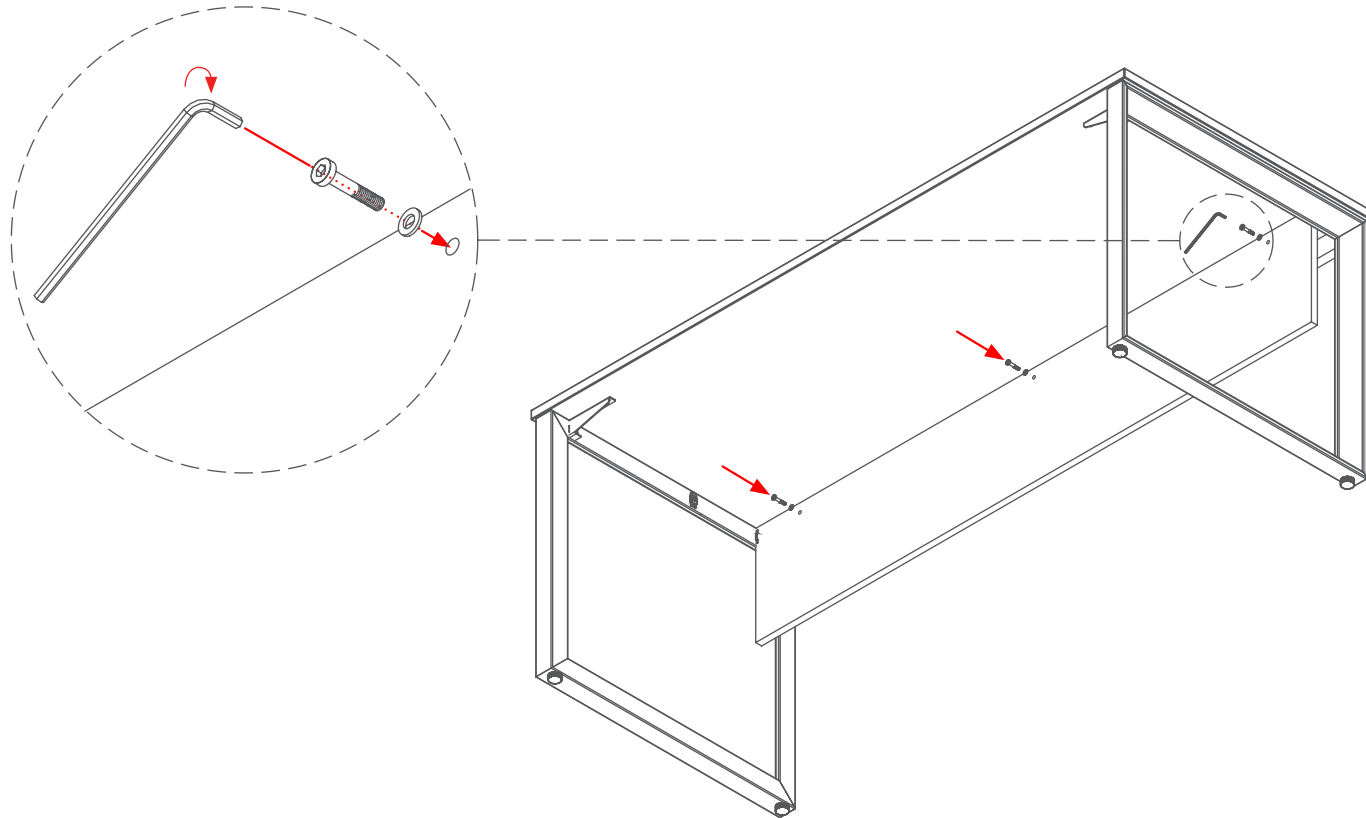
STEP 1:



Optional Axis with Melamine Modesty Panel

Assembly Instructions

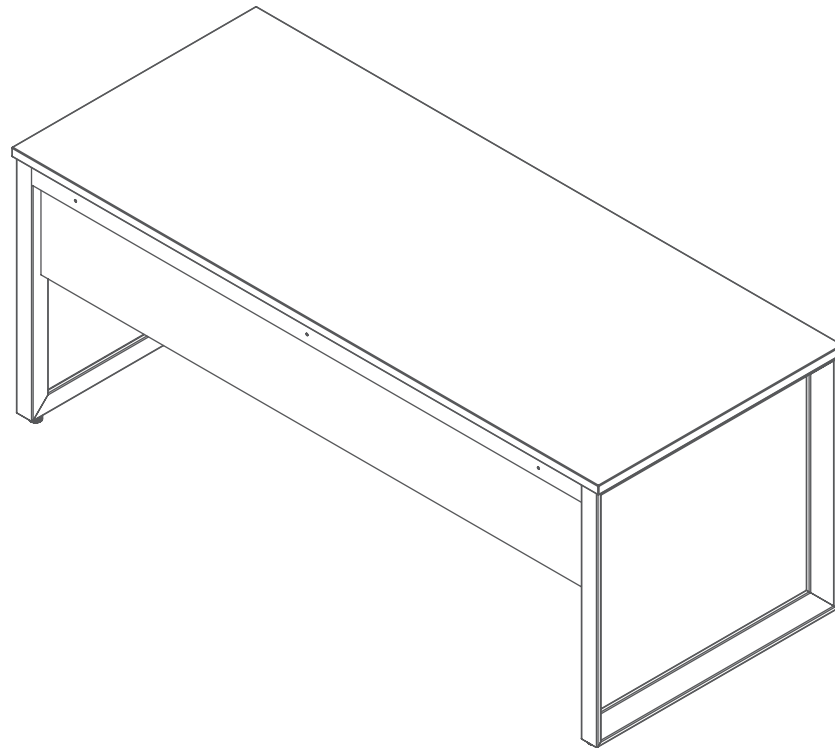
STEP 2:



Optional Axis with Melamine Modesty Panel

Assembly Instructions

Complete:





Sydney 02 8188 2732

Melbourne 03 9111 0315

Brisbane 07 3733 1923

Adelaide 08 7111 0810

Perth 08 9468 2707

info@olgoffice.com

myolg.online | olgoffice.com | officedesigner.net | motionoffice.com