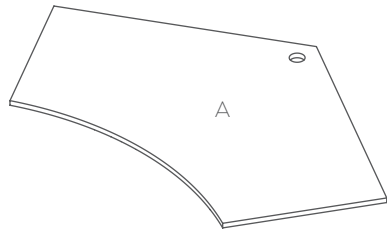


Anvil 120° Single Workspace

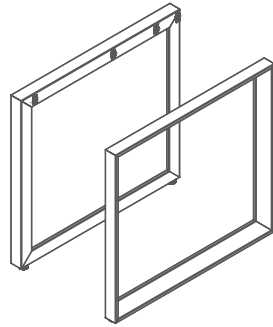
Assembly Instructions

Anvil 120° Single Workspace

Components List

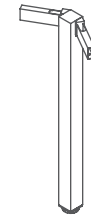


Axis Worktop



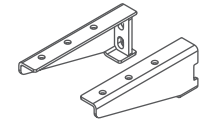
1 x L & R Leg Pair

EL



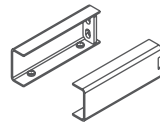
1 x 1-Way 120° Leg

SL



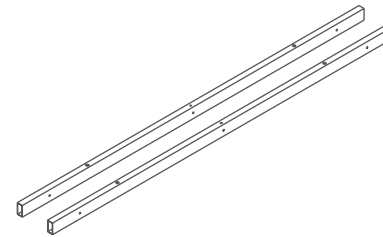
1 x Pair AXKDBRAC

B



1 x Pair AXKDPIGE

C



2 x Rail

R



12 - M6 x 20



8 - M8 x 16



6 - ST6 x 23

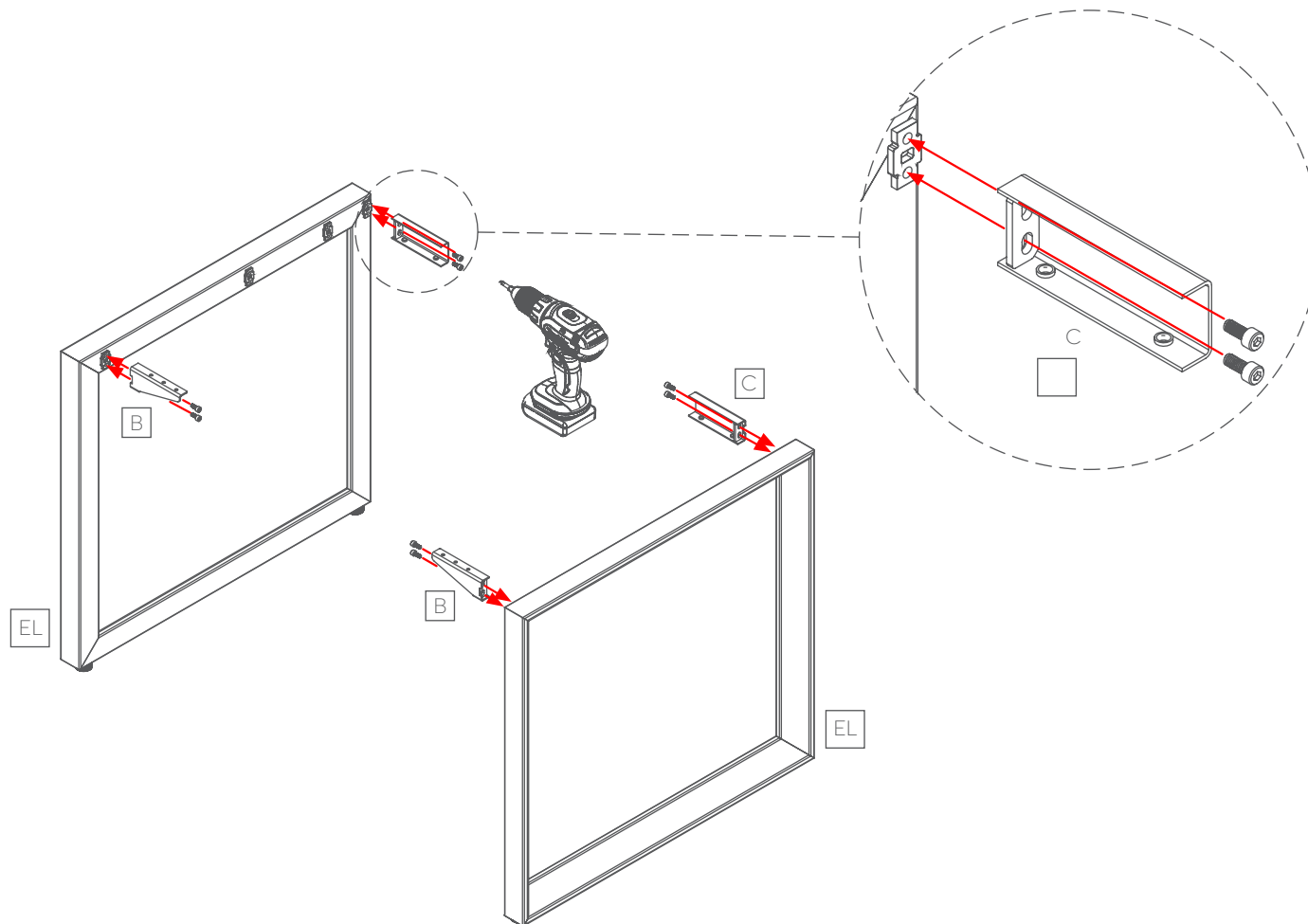
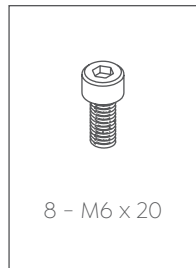


8 - ST5 x 70

Anvil 120° Single Workspace

Assembly Instructions

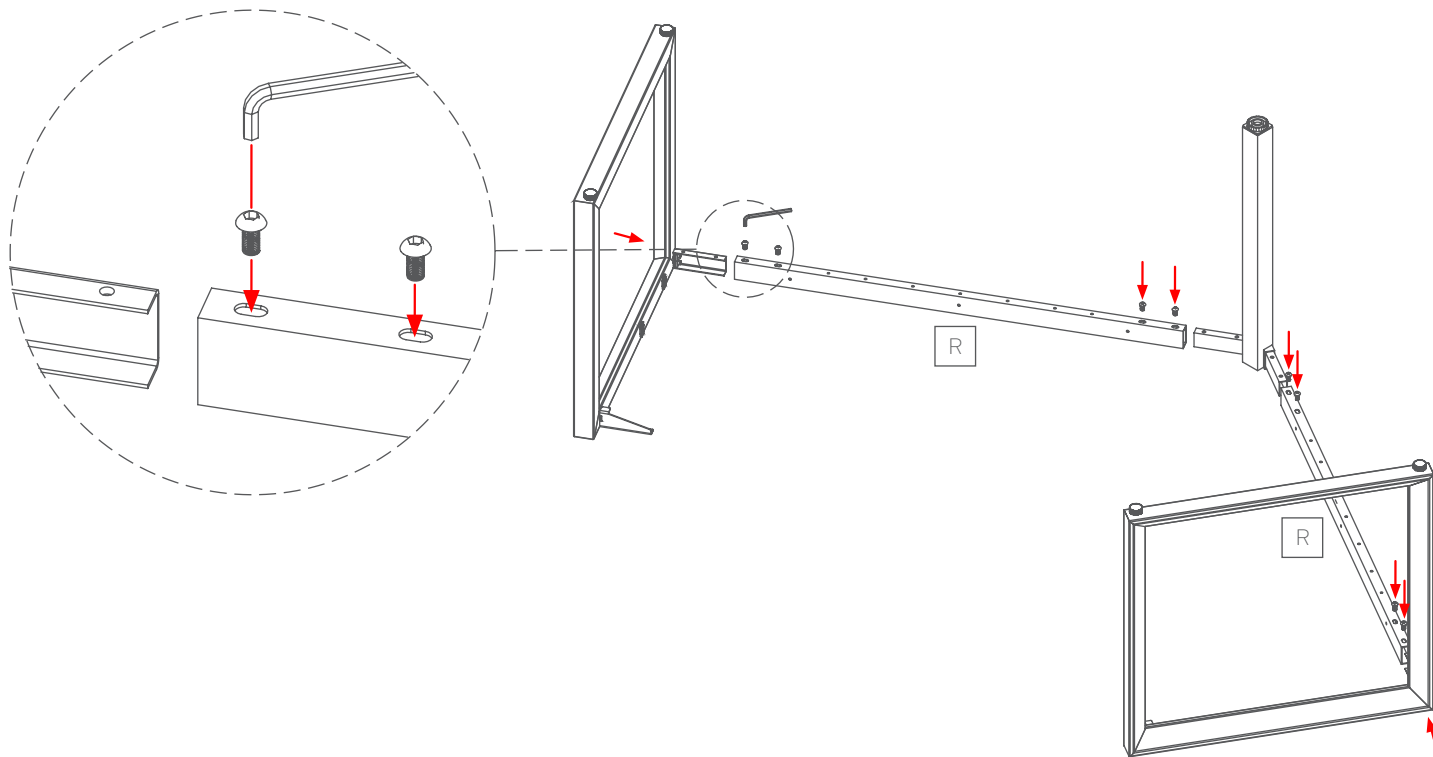
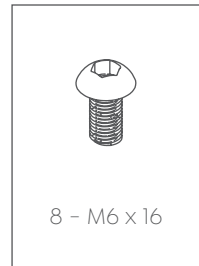
STEP 1:



Anvil 120° Single Workspace

Assembly Instructions

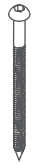
STEP 2:



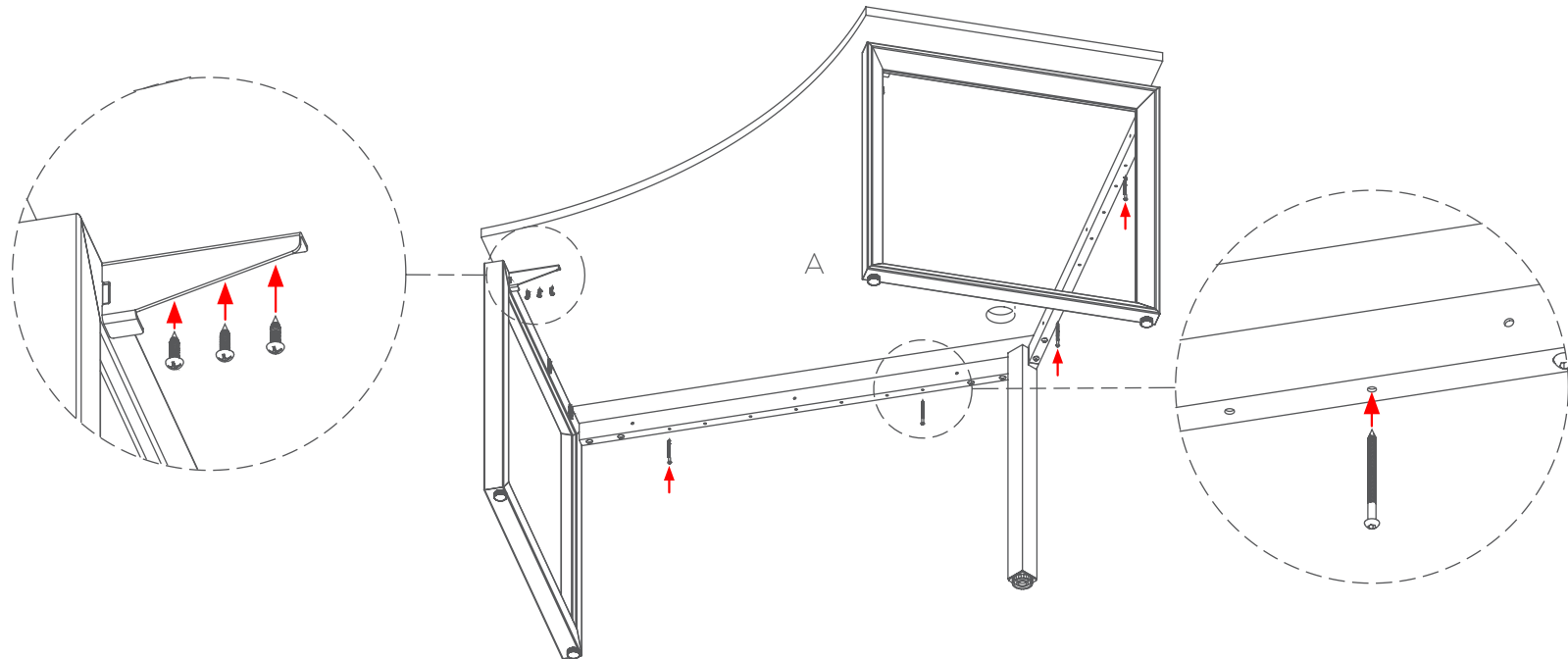
STEP 3:



6 - ST6 x 23



4 - ST5 x 70



Anvil 120° Single Workspace

Assembly Instructions

Complete:

