

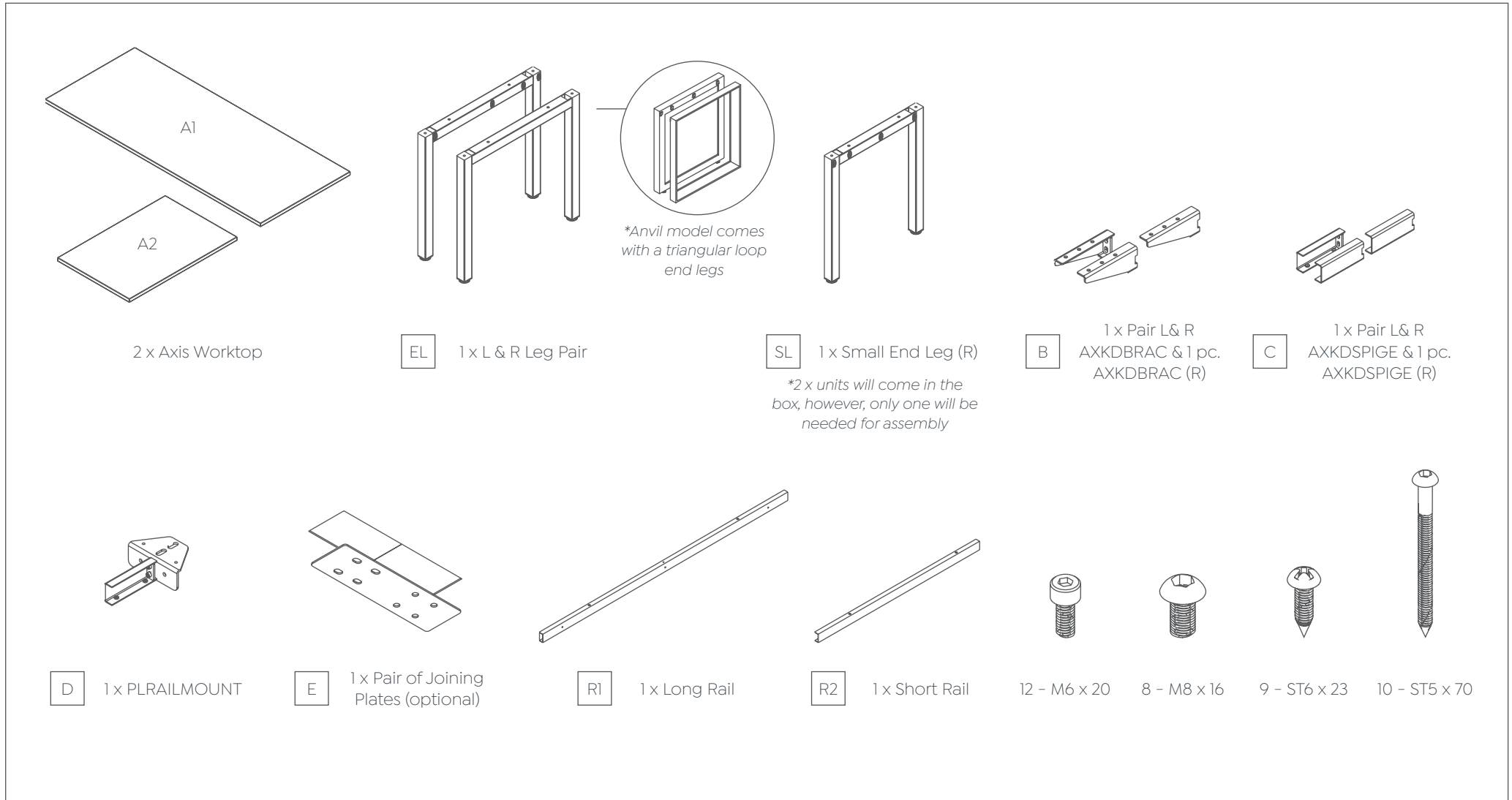
---

## Axis/Anvil Desk and Return

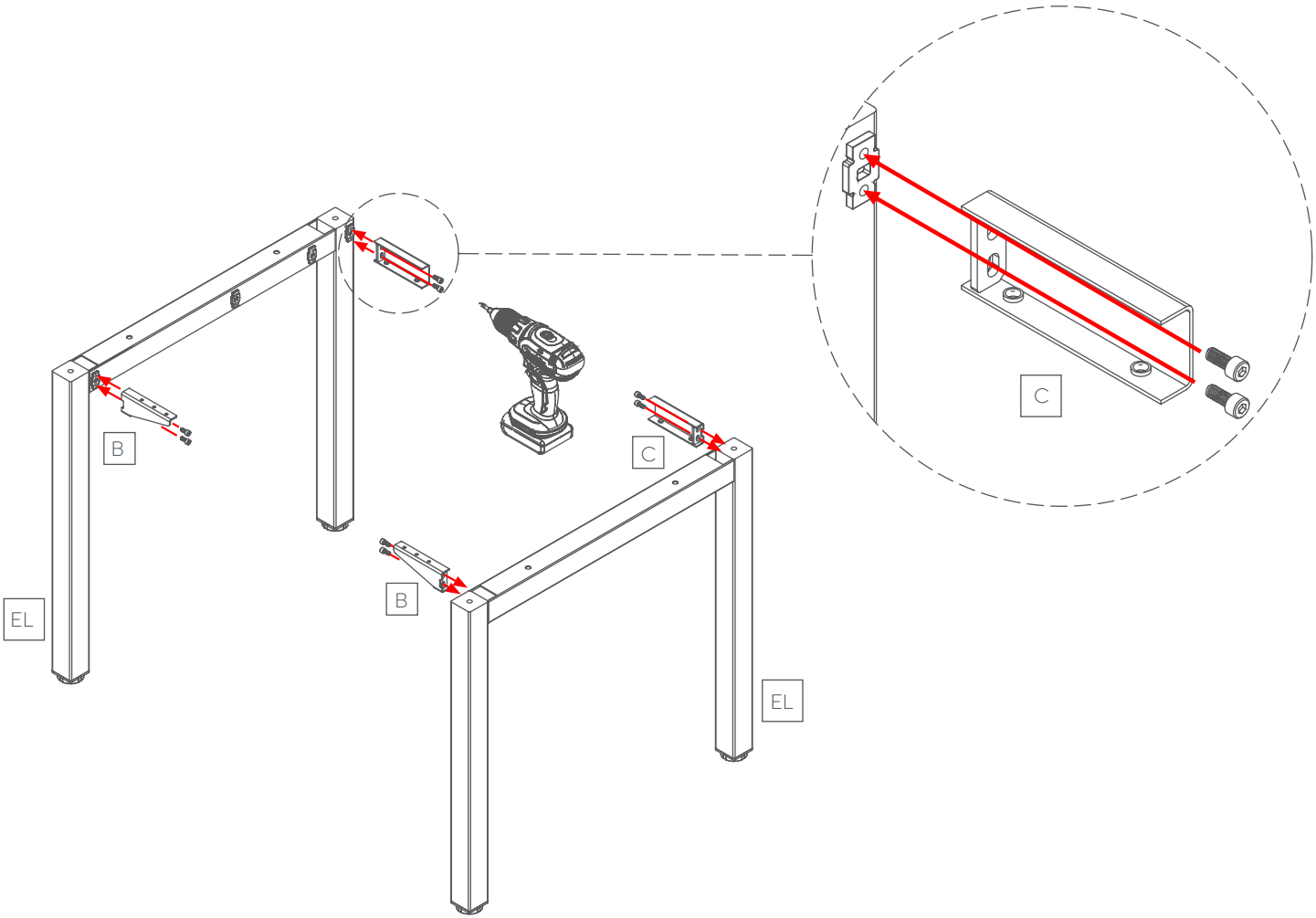
Assembly Instructions

# Axis/Anvil Desk and Return

## Components List



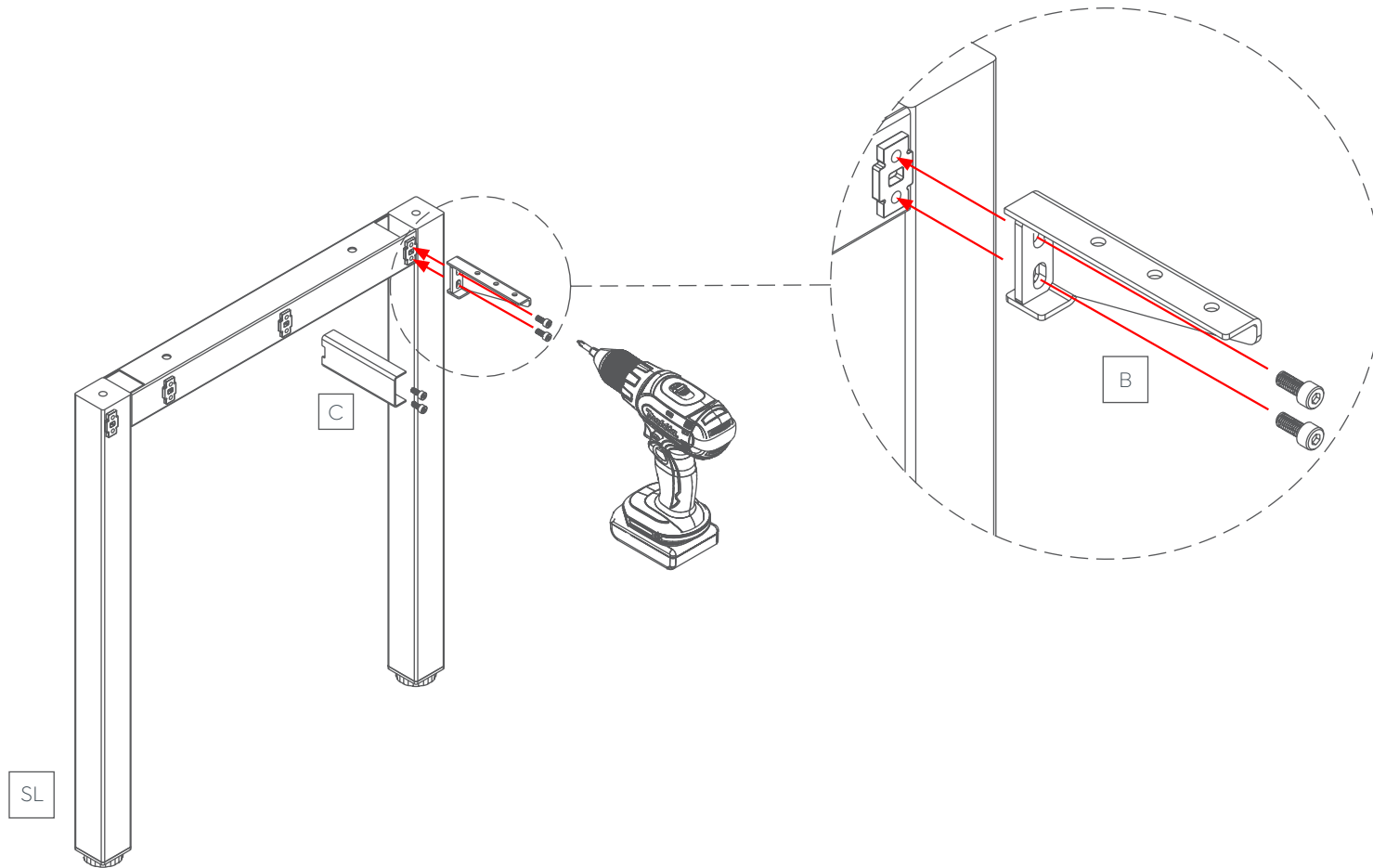
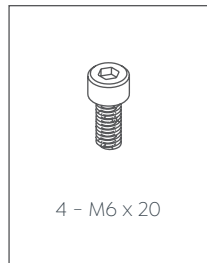
**STEP 1:**



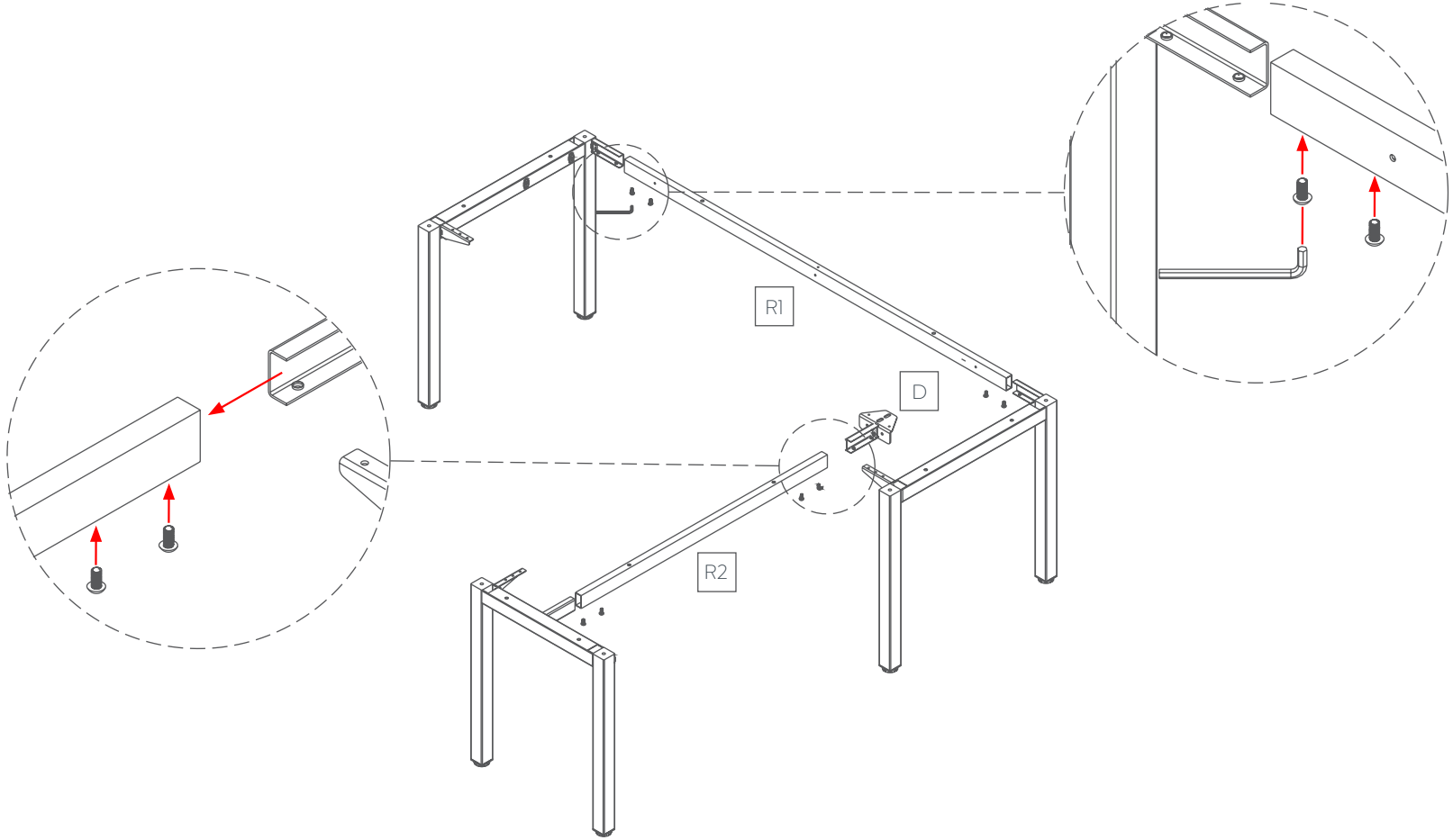
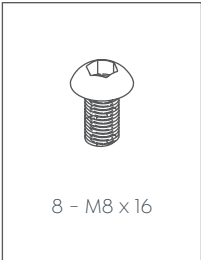
# Axis/Anvil Desk and Return

## Assembly Instructions

### STEP 2:



**STEP 3:**



# Axis/Anvil Desk and Return

## Assembly Instructions

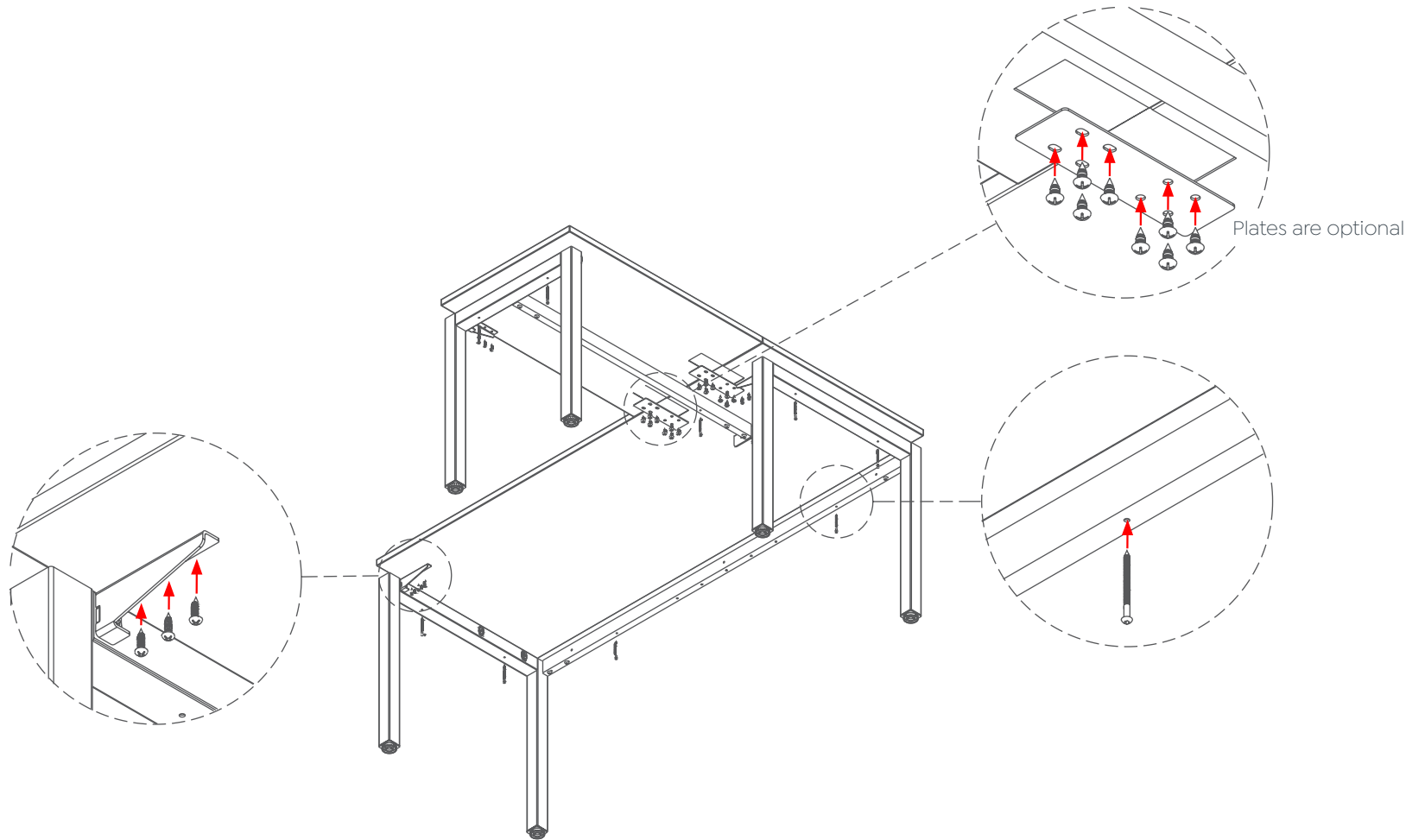
### STEP 4:



9 - ST6 x 23



10 - ST5 x 70



Complete:

