

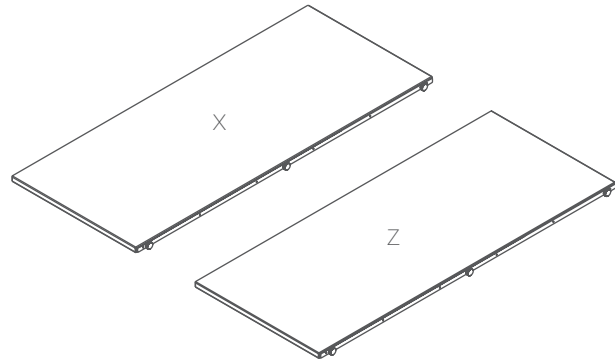
---

## **EkoSystem 4 - User Double Sided Workspace**

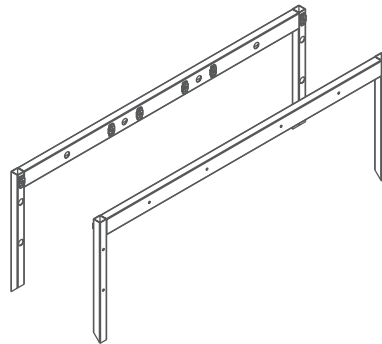
Assembly Instructions

# EkoSystem 4-User Double Sided Workspace

## Components List

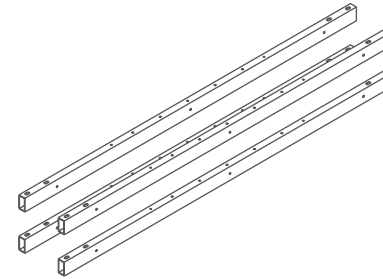


Left Side (X) & Right Side (Z) Panel



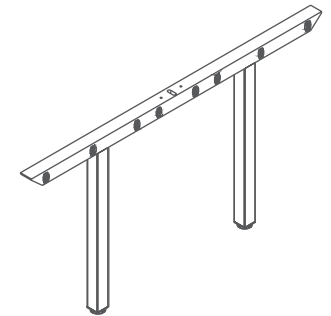
1 x Eko DSD Slab Mounting Rail Pair

MR



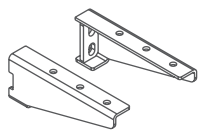
4 x Rail

R



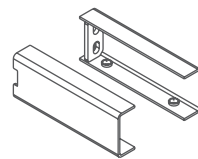
1 x Inset Leg

IL



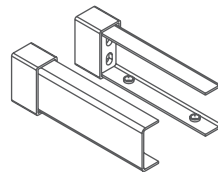
8 Pair x AXKDBRAC

B



4 Pair x AXKDSPIGE

C



2 Pair x AXKDSPIGS

D



48 - M6 x 20



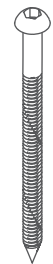
16 - M8 x 16



8 - M6 x 30



60 - ST5 x 23

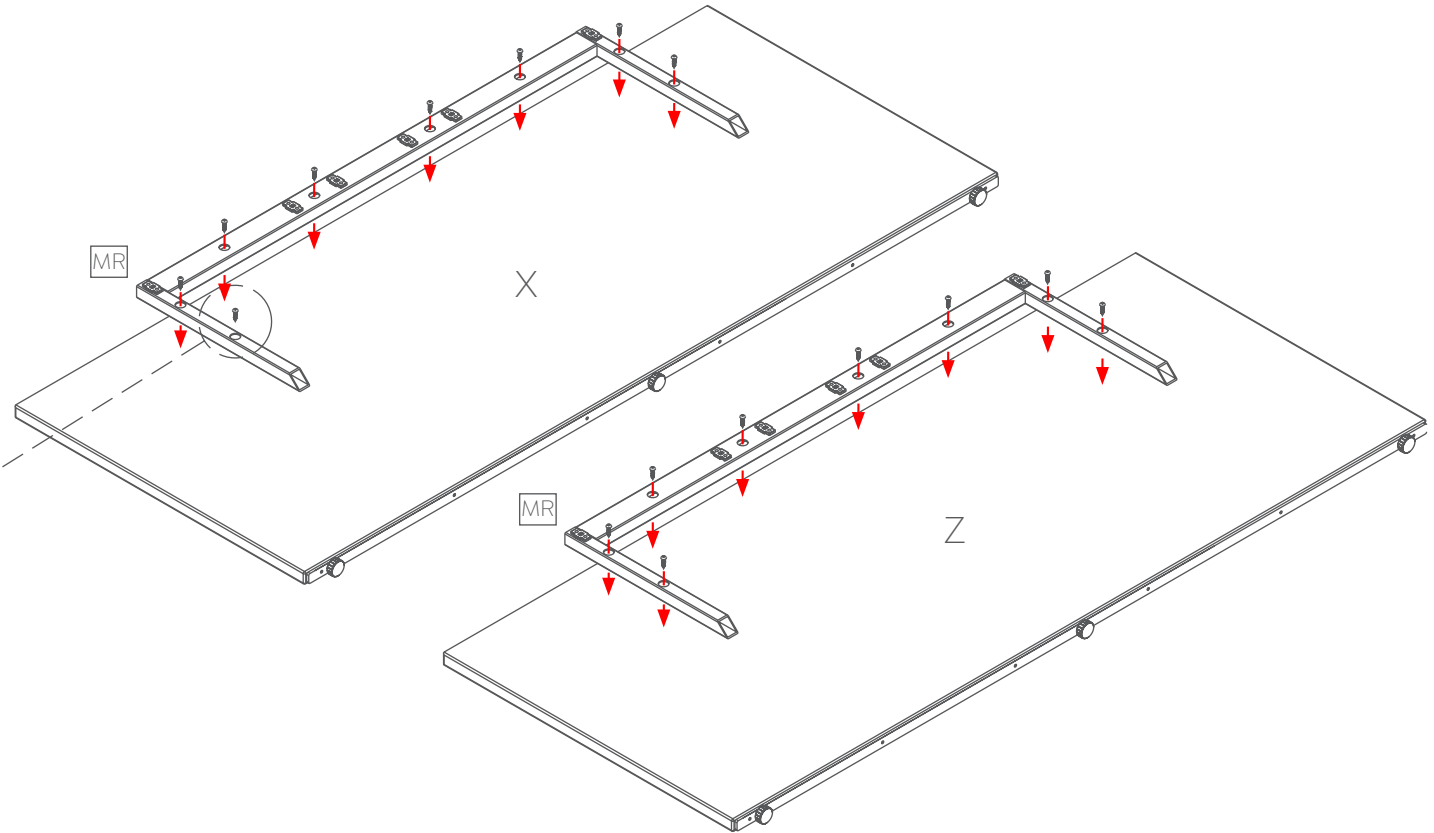
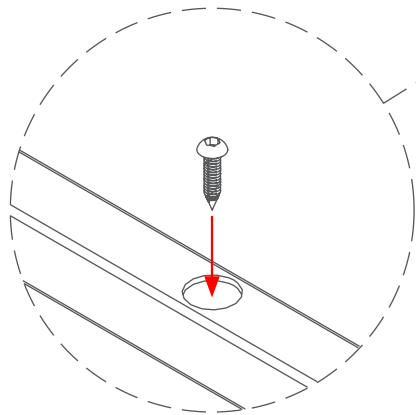
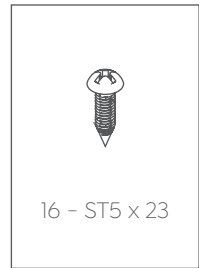


8 - ST5 x 70

# EkoSystem 4-User Double Sided Workspace

Assembly Instructions

## STEP 1:



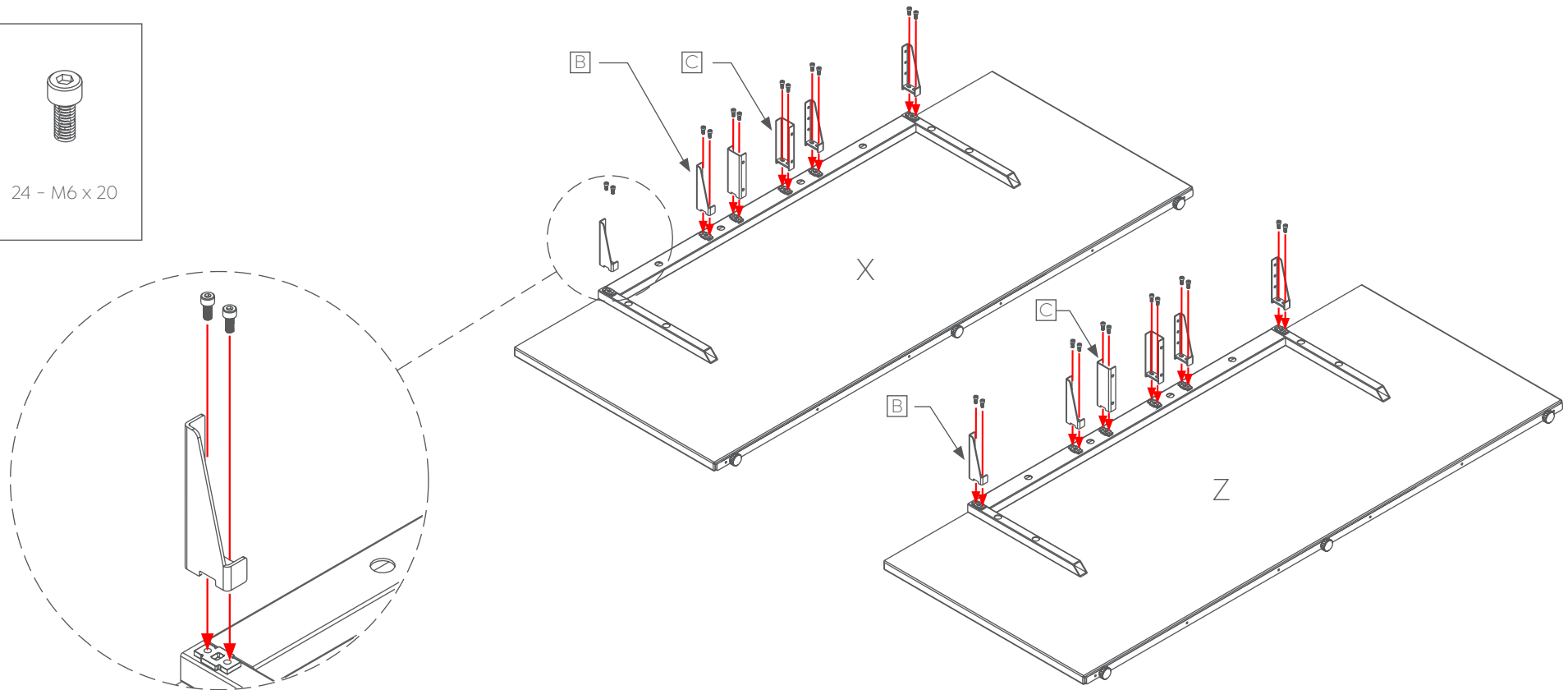
# EkoSystem 4-User Double Sided Workspace

## Assembly Instructions

### STEP 2:



24 - M6 x 20



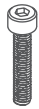
# EkoSystem 4-User Double Sided Workspace

Assembly Instructions

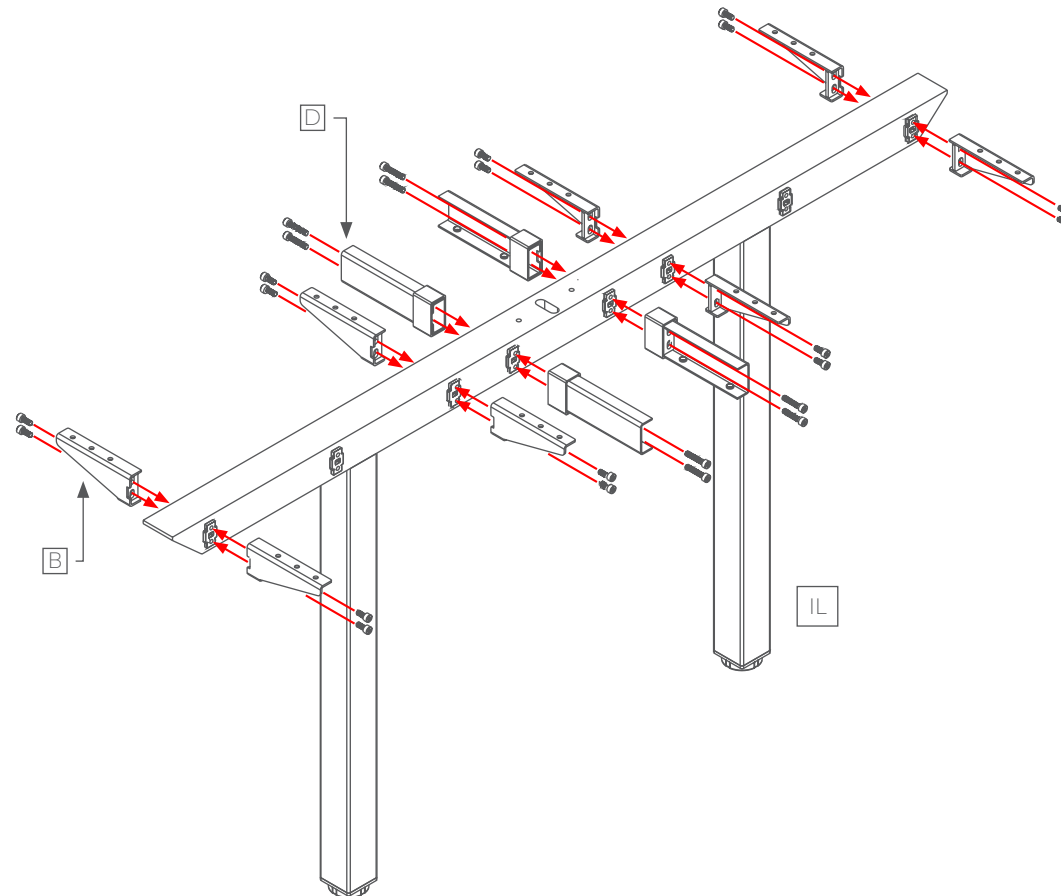
## STEP 3:



16 - M8 x 16



8 - M6 x 30



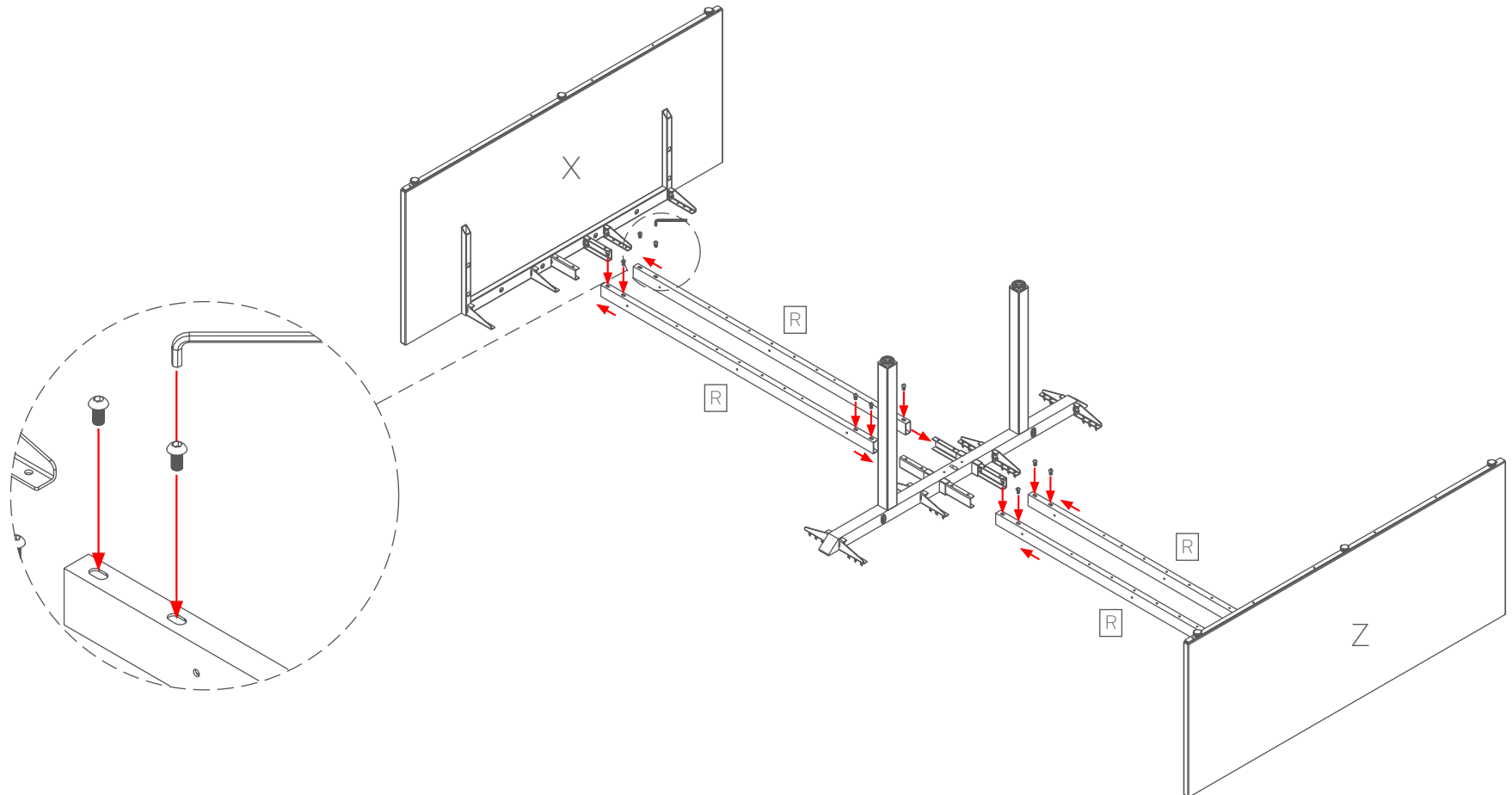
# EkoSystem 4-User Double Sided Workspace

## Assembly Instructions

### STEP 4:



16 - M8 x 16



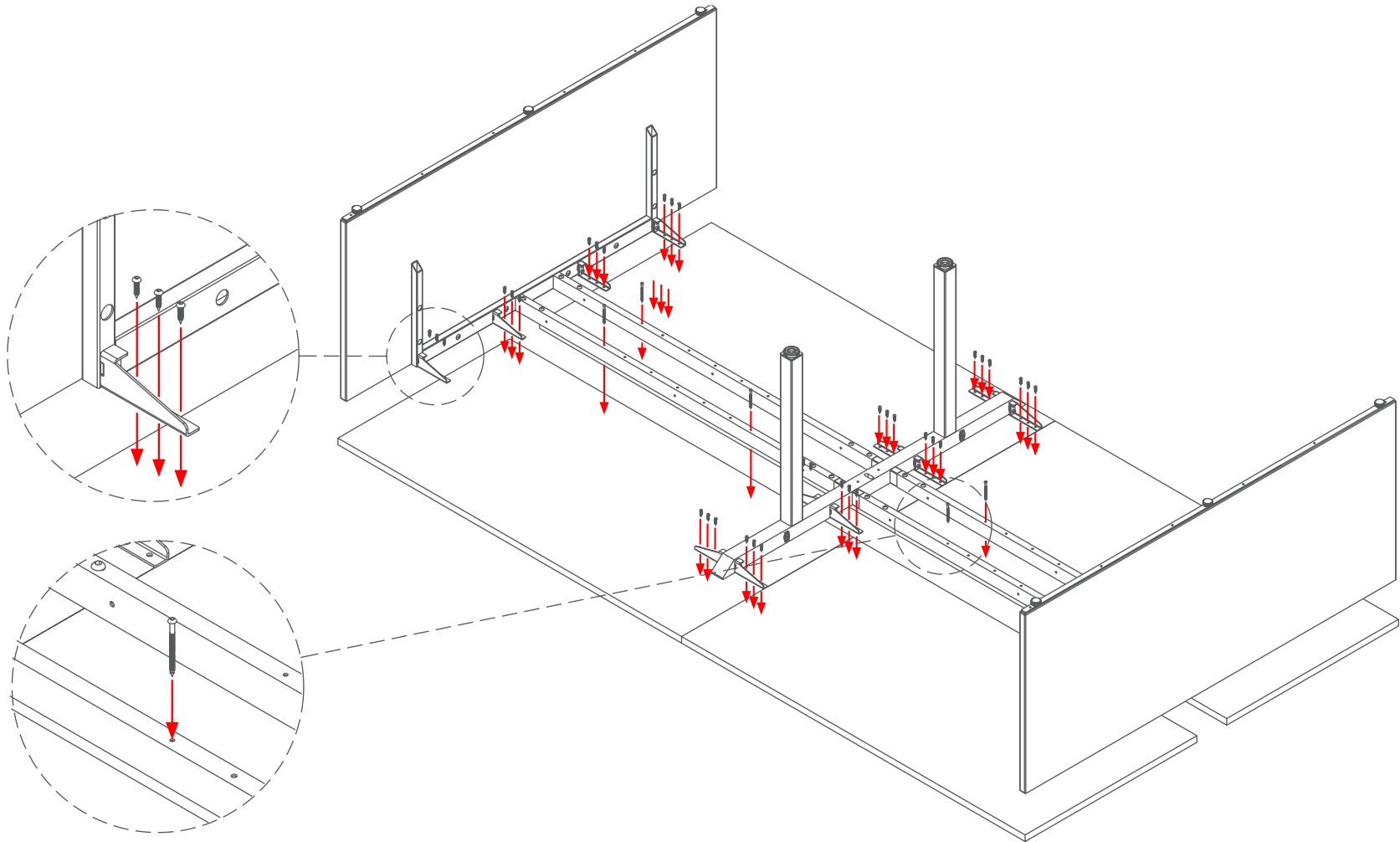
## STEP 5:



24 - ST5 x 23



4 - ST5 x 70



# EkoSystem 4-User Double Sided Workspace

Assembly Instructions

---

**Complete:**

