

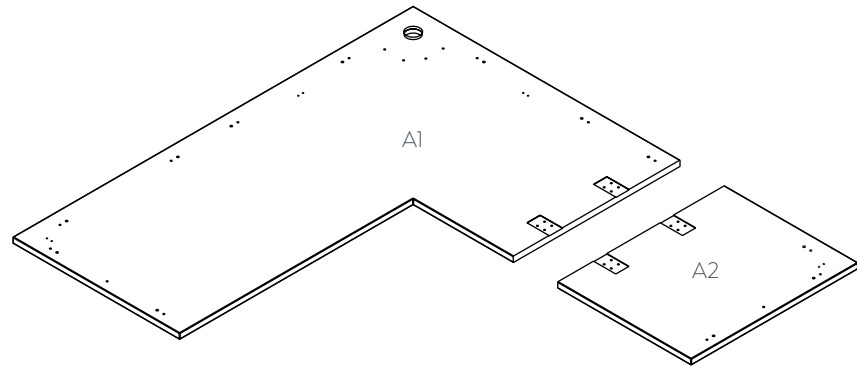
---

## **EkoSystem 90° Workstation**

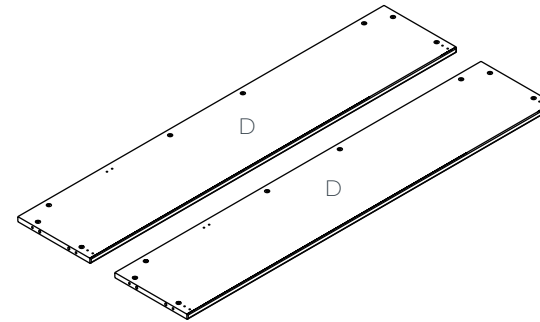
Assembly Instructions

# EkoSystem 90° Workstation

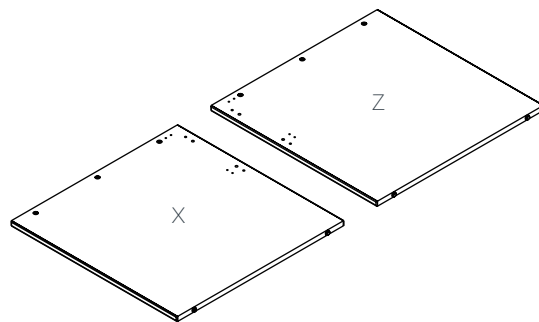
## Components List



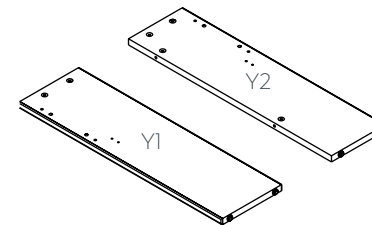
Worktop (A1 & A2)



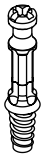
Back Panels (D)



Left Side Panel (X) & Right Side Panel (Z)

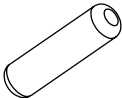


Partitions (Y1 & Y2)



14 - 6 x 35mm Cam Bolts

c1



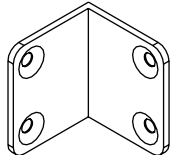
12 - 8 x 30mm Dowel Pin

d1



14 - 5/8" Cam Cover

c2



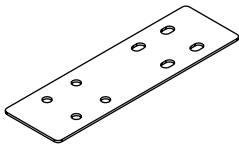
4 x Bracket

b1



16 - 4 x 16mm Screw

s1



2 - 60mm x 200mm Connector

c3



16 - 6 x 12mm Screw

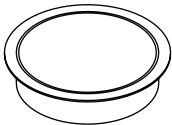
s5

**Pre-installed Parts:**



Cam

c5



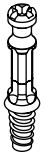
Cable Port Cover

o5

# EkoSystem 90° Workstation

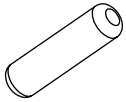
## Components List

### STEP 1:



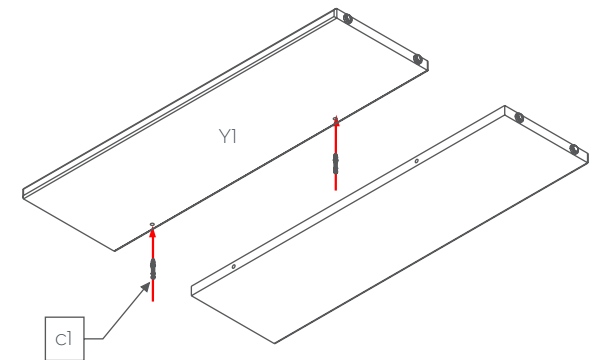
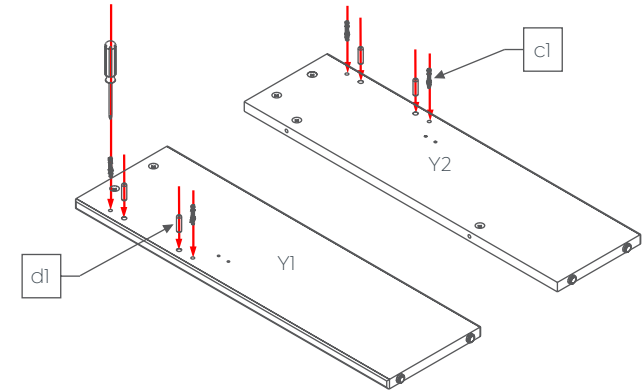
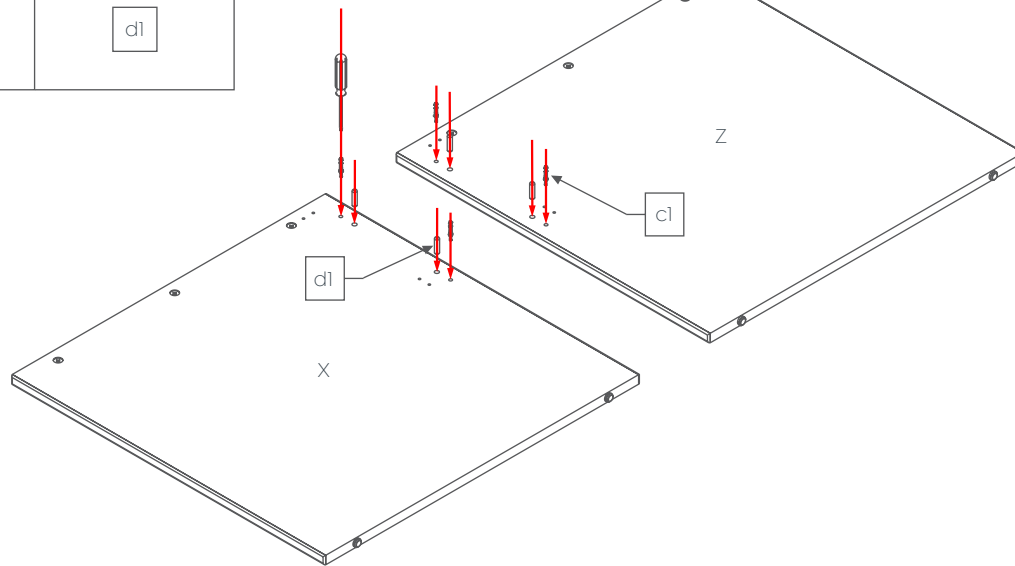
10 - 6 x 35mm  
Cam Bolts

cl

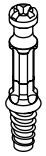


8 - 8 x 30mm  
Dowel Pin

dl

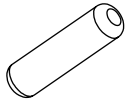


## STEP 1.5:



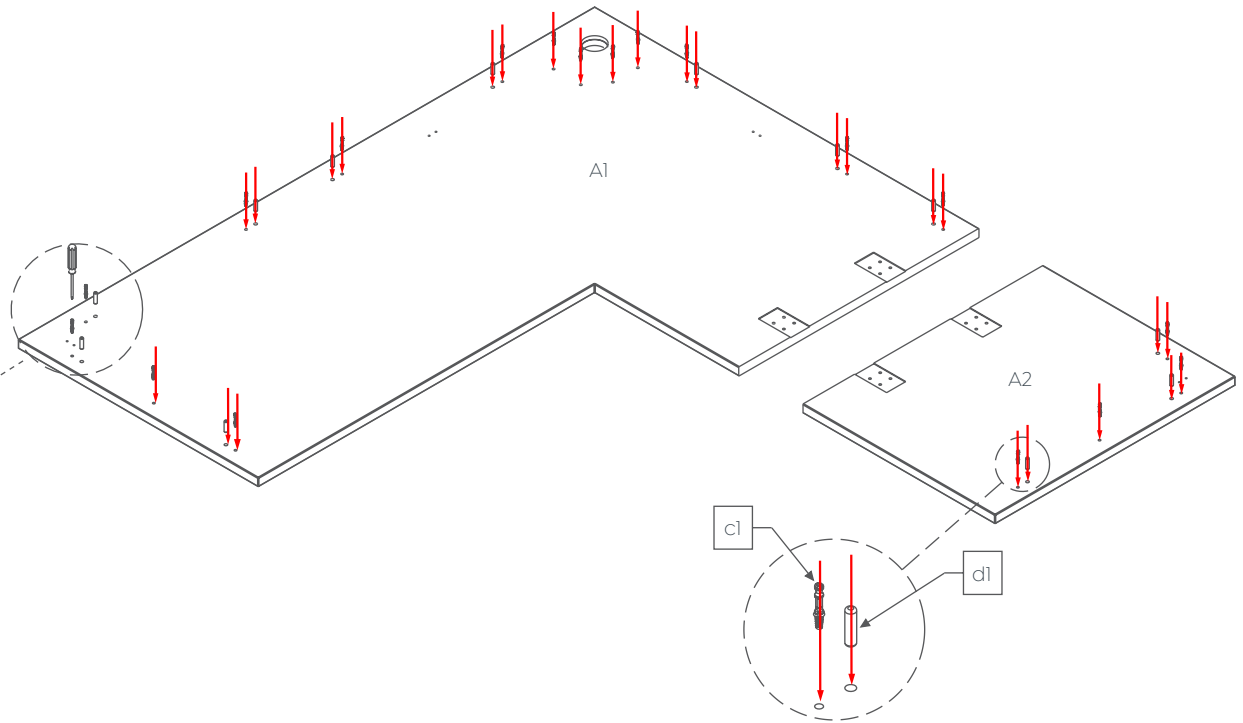
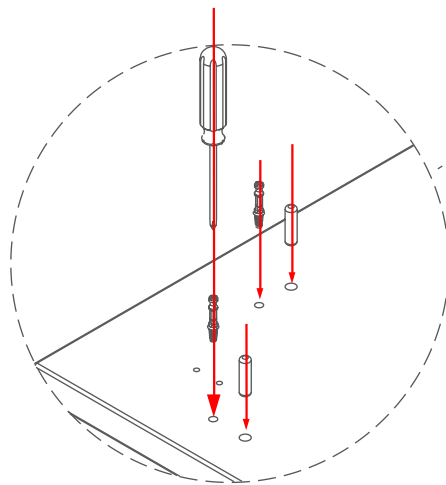
18 - 6 x 35mm  
Cam Bolts

cl



12 - 8 x 30mm  
Dowel Pin

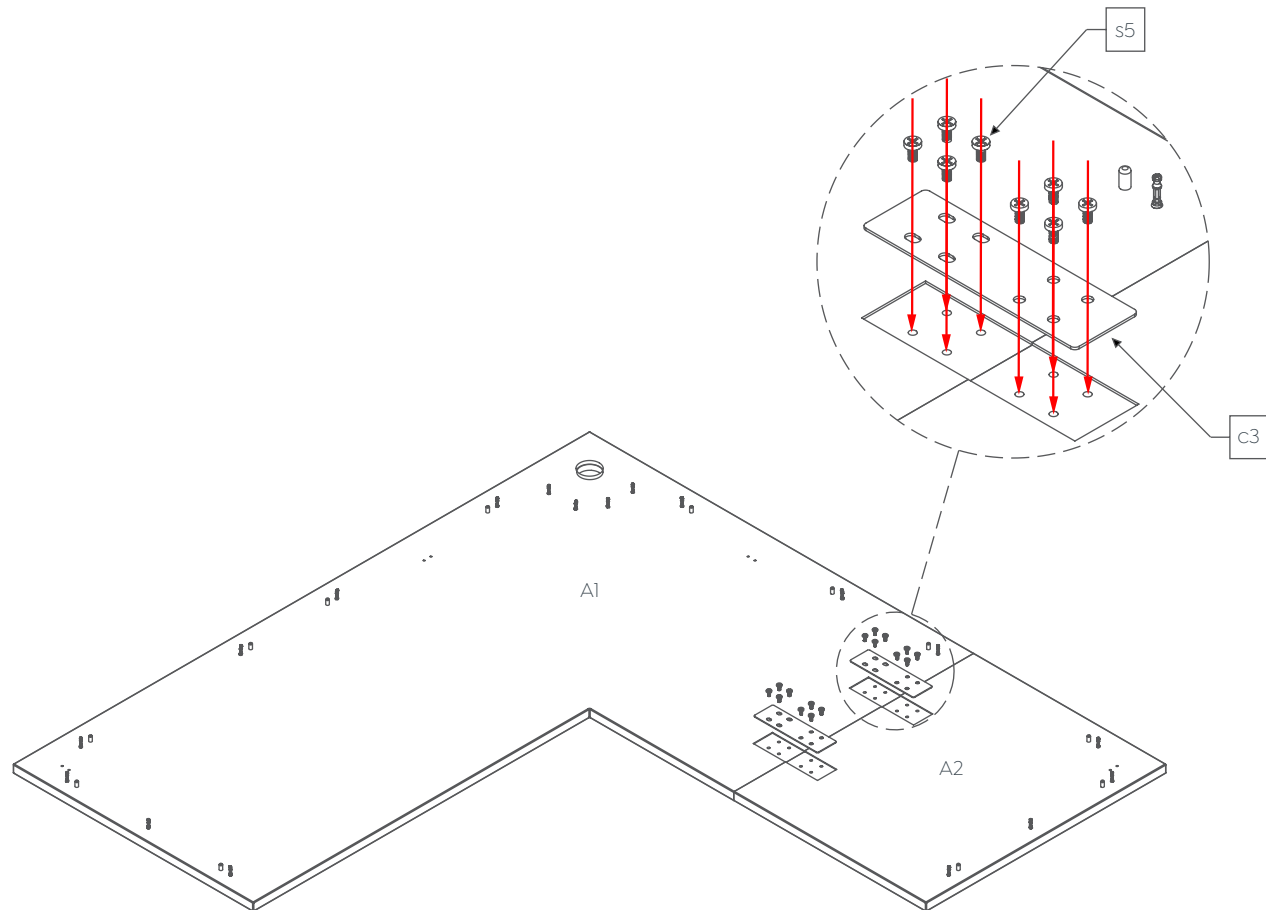
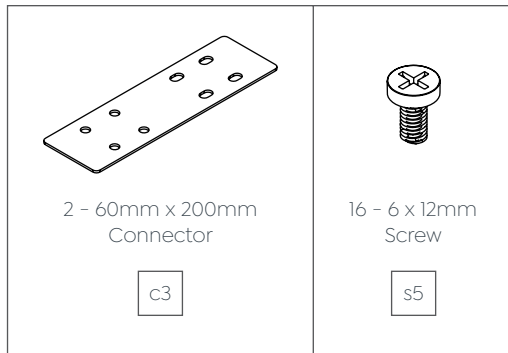
d1



# EkoSystem 90° Workstation

## Assembly Instructions

### STEP 2:

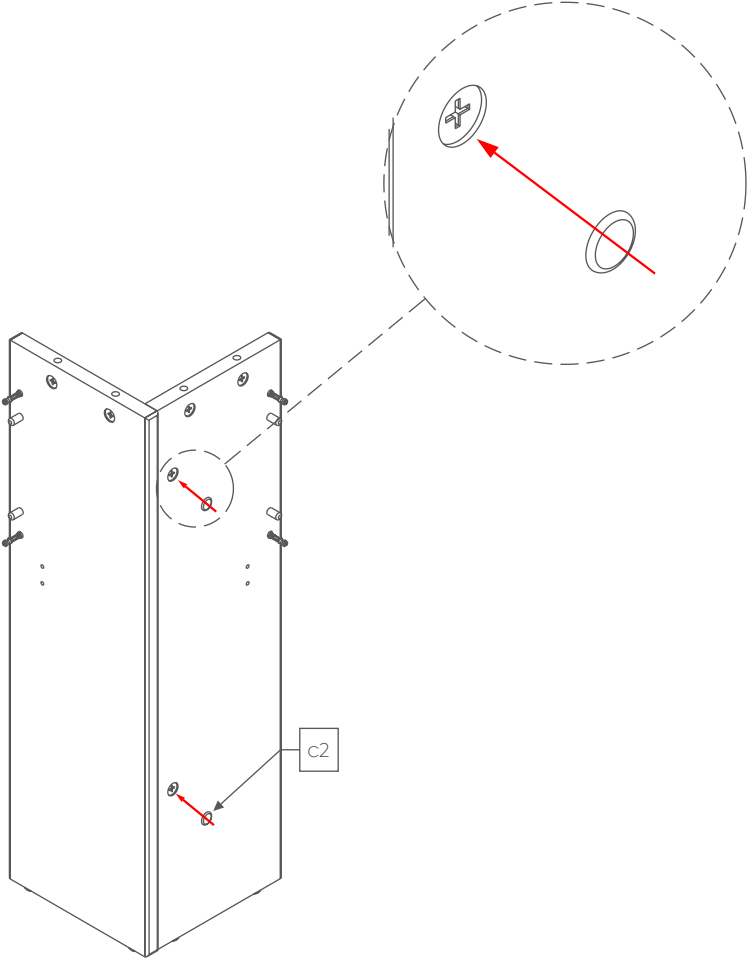
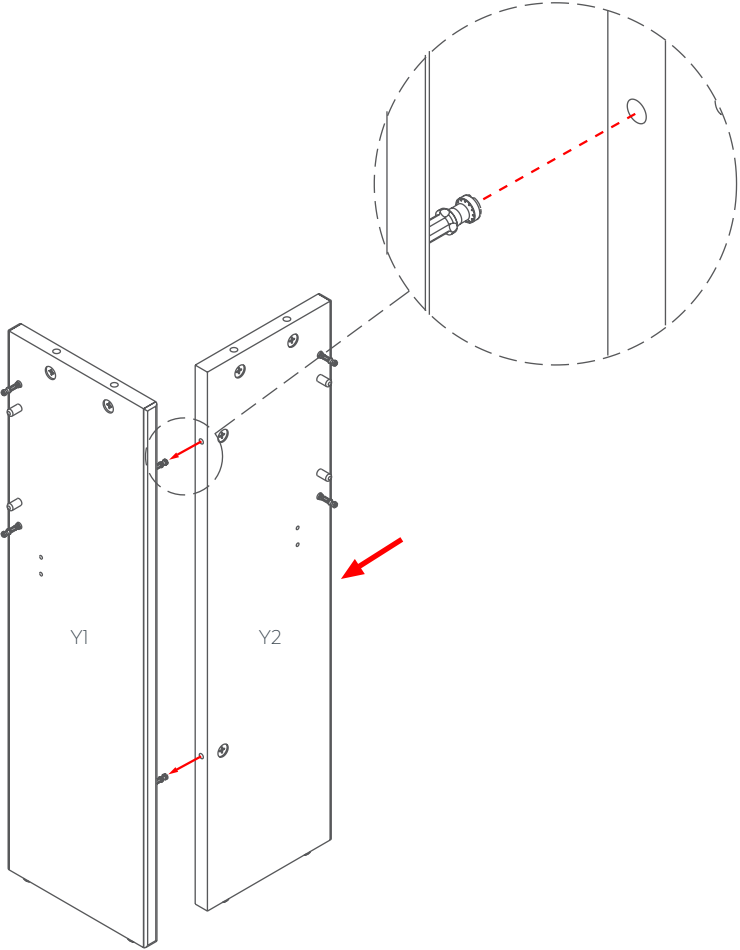


**STEP 3:**



2 - 5/8" Cam Cover

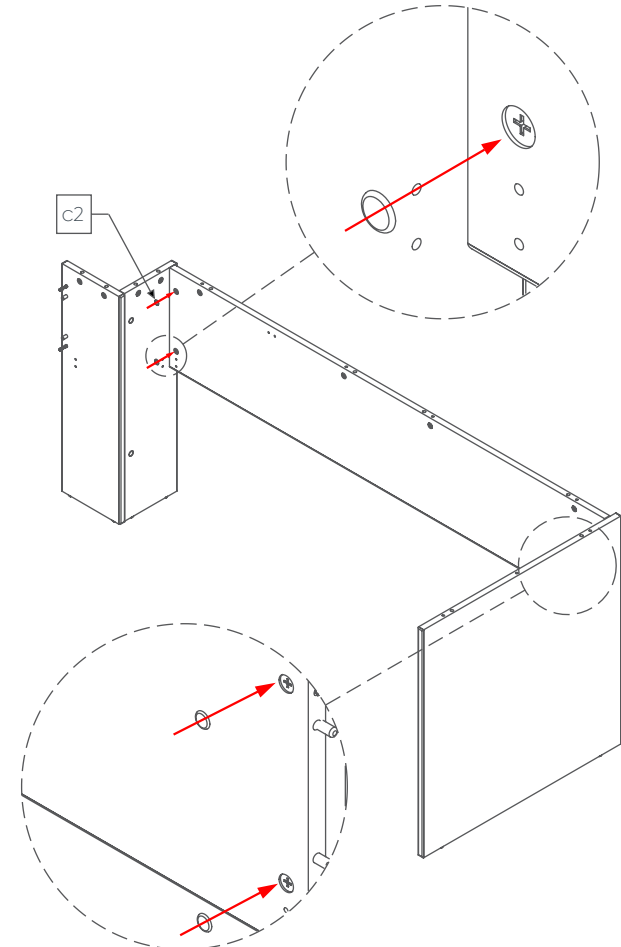
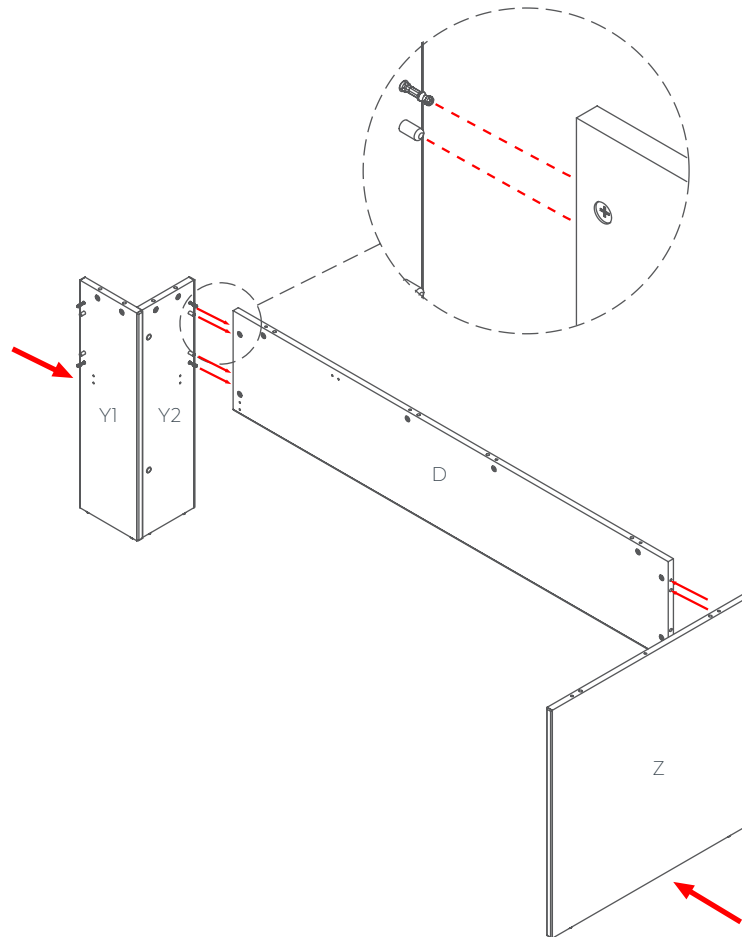
c2



# EkoSystem 90° Workstation

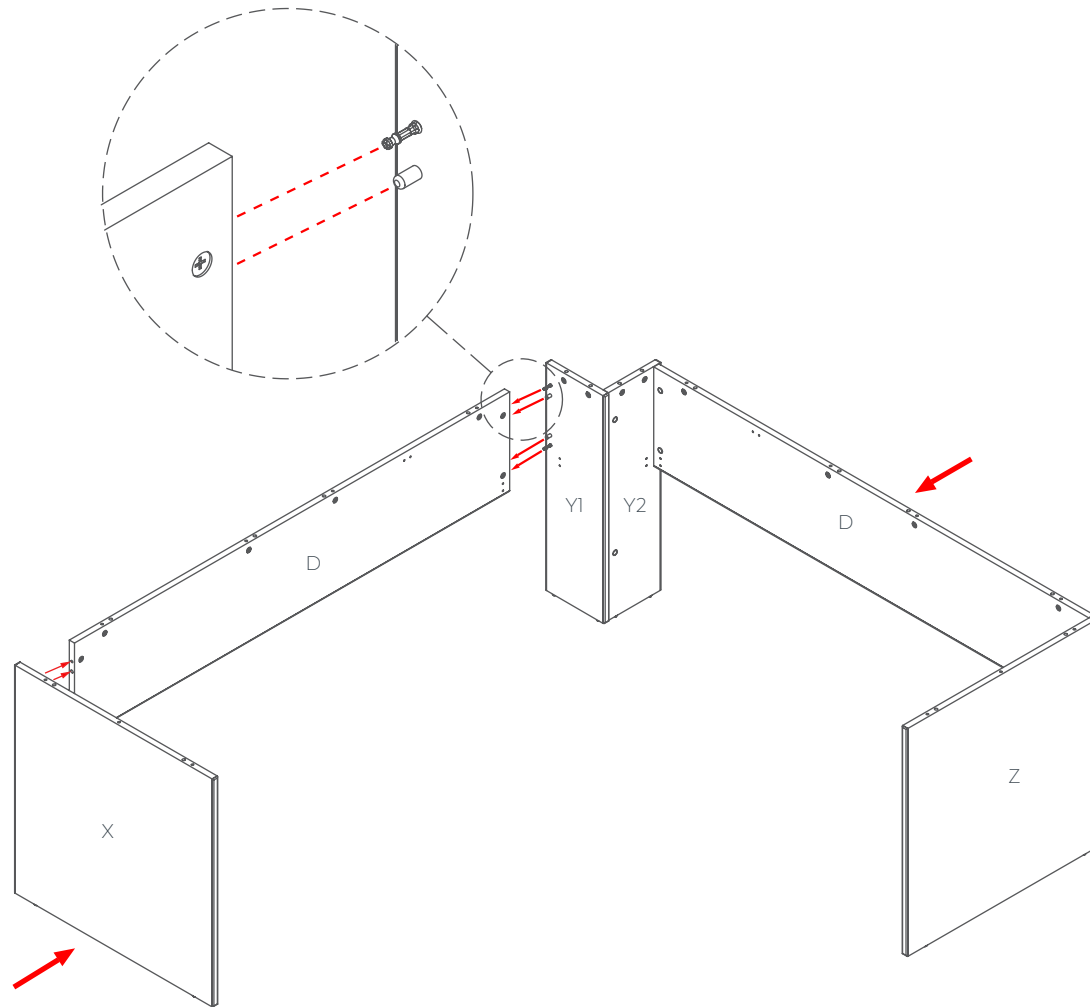
## Assembly Instructions

### STEP 4:





## STEP 5:



# EkoSystem 90° Workstation

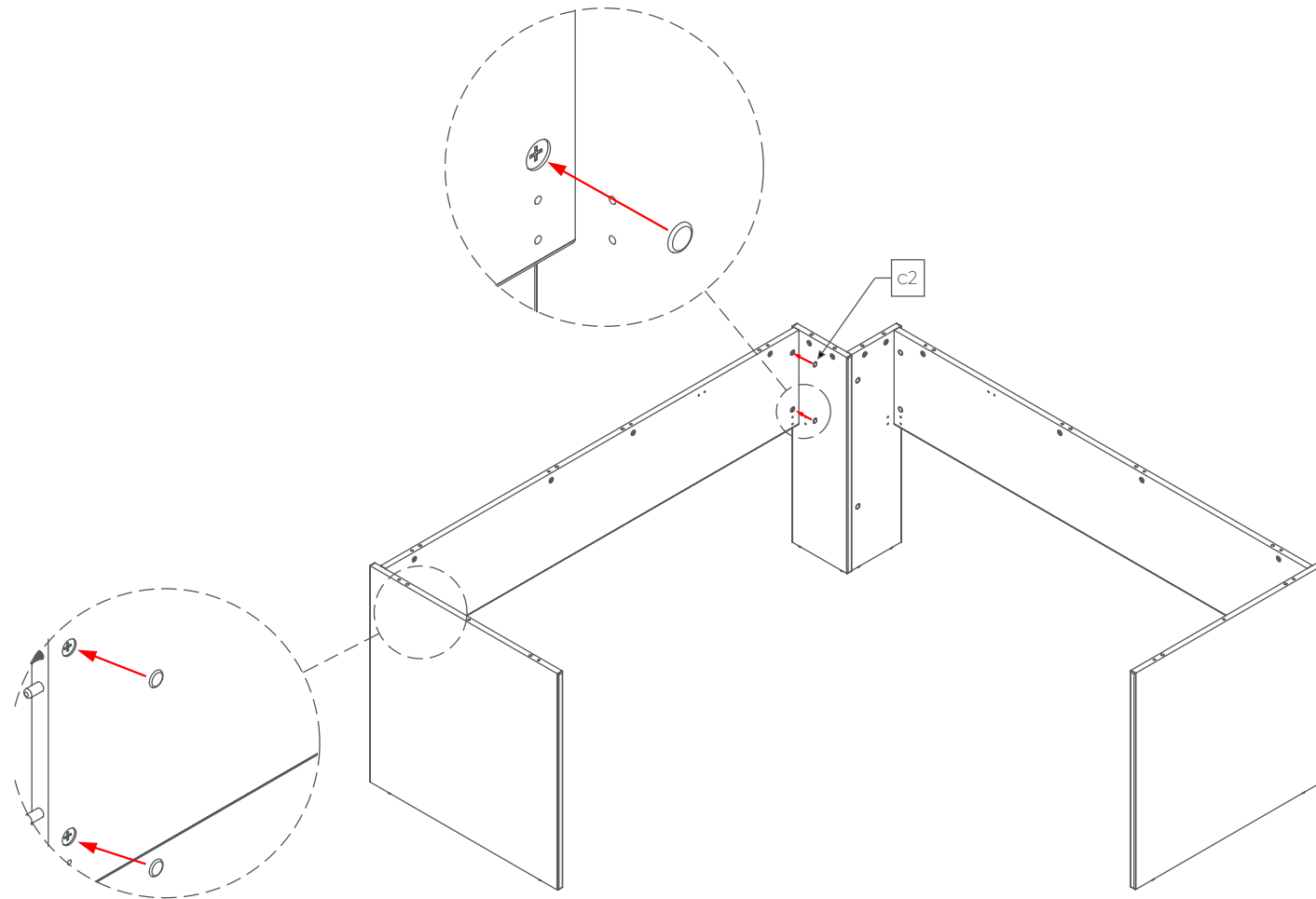
## Assembly Instructions

### STEP 5.5:


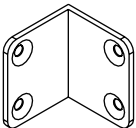


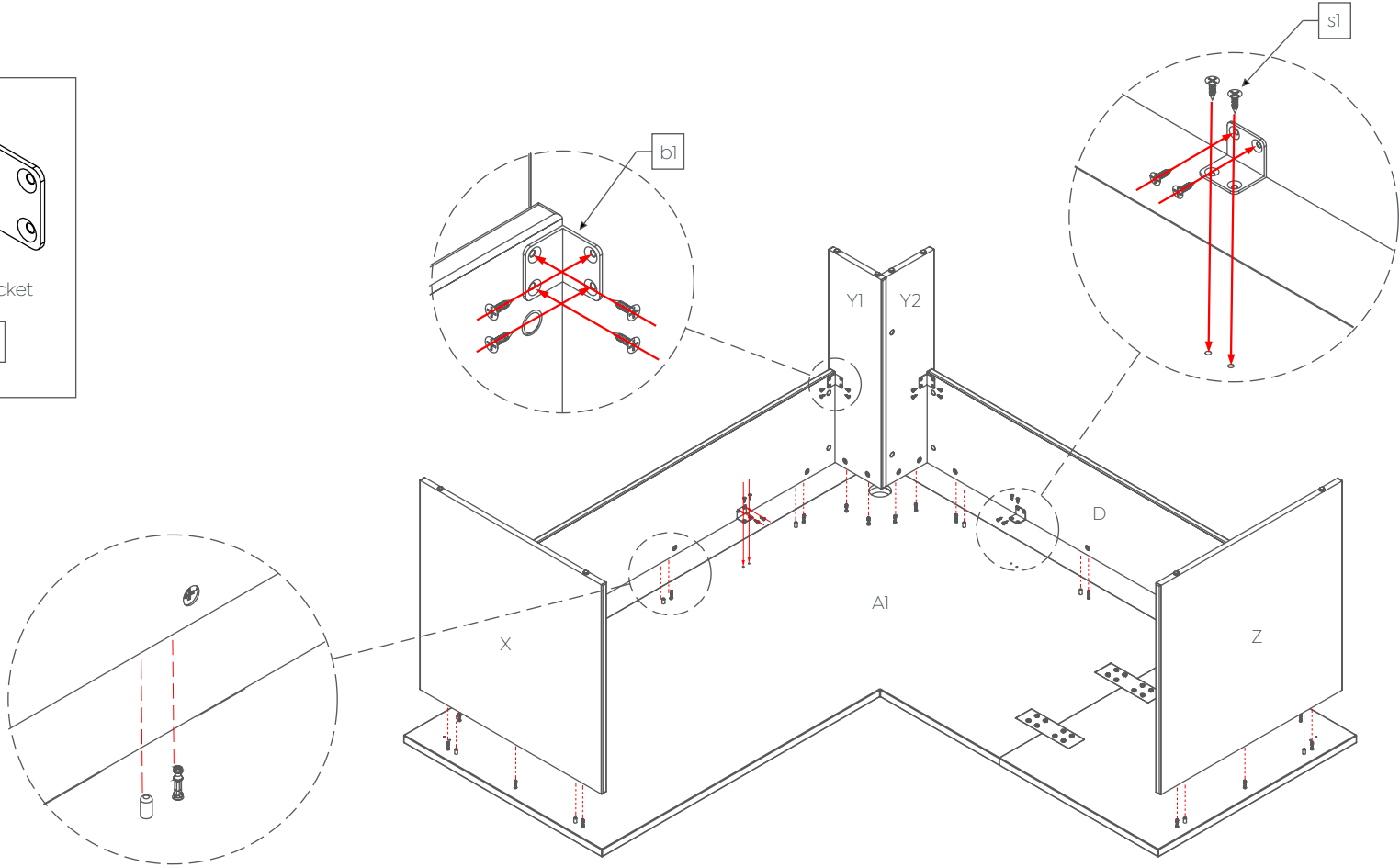
4 - 5/8" Cam  
Cover

c2



## STEP 6:

 32 - 4 x 16mm Screw <span data-bbox="224 710 280 750">sl</span>	 8 x Bracket <span data-bbox="425 710 481 750">bl</span>
--	---



# EkoSystem 90° Workstation

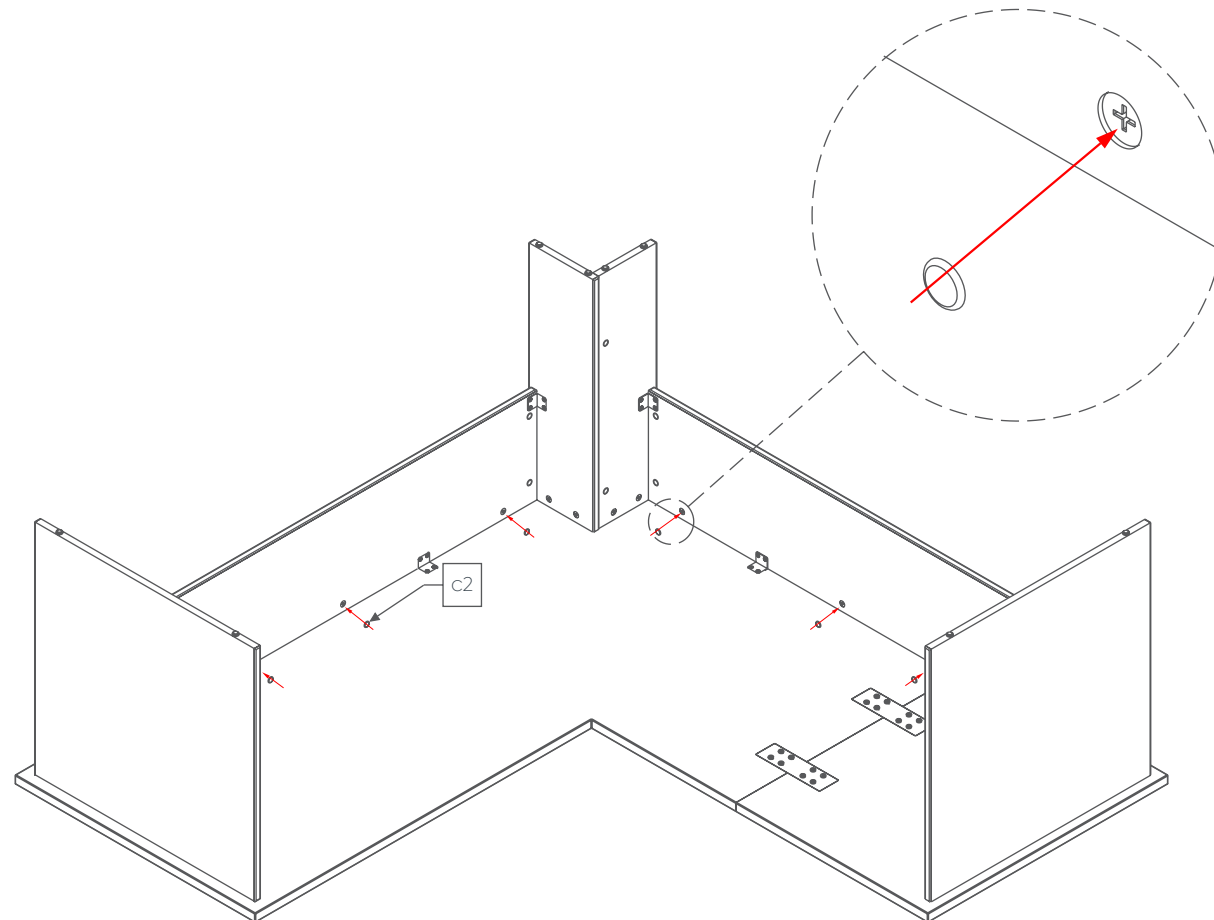
## Assembly Instructions

### STEP 6.5:



16 - 5/8" Cam  
Cover

c2



**STEP 7:**

