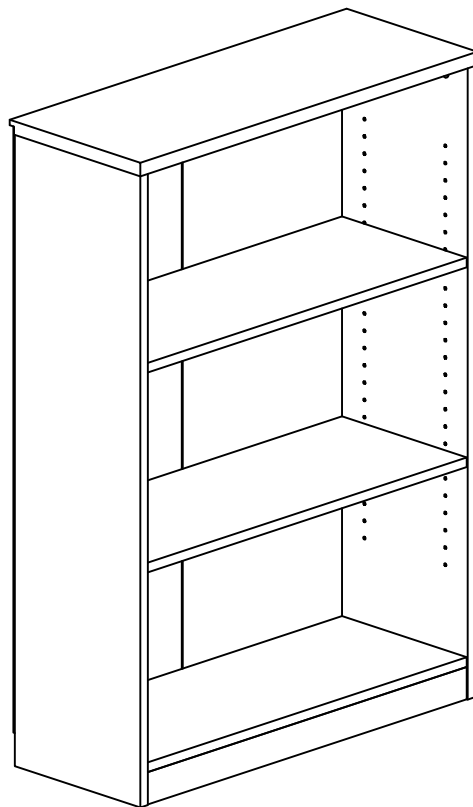

ASSEMBLY INSTRUCTION

Cupboard

ITEM NO. : OG-EKB812

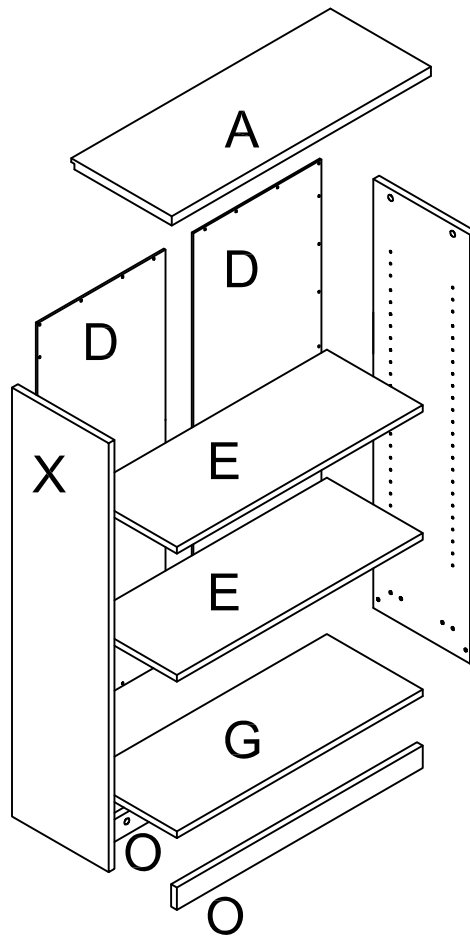




The turning direction of attaching



The arrow direction=front



PARTS LIST

ITEM	DESCRIPTION	QTY.	ITEM	DESCRIPTION	QTY.
A	Top panel	1	(c2)	(5/8") Cam Cover	16
X	Left side panel	1	(p1)	Threaded Dowel Pin	8
Z	Right side panel	1	(s1)	3.5*14 Screw	32
D	Back panel	2	(b1)	Backing Strip	1
G	Bottom panel	1			
E	Moveable shelf	2			
O	Batten	2			



(c2) (5/8") Cam Cover-16



(s1) 3.5*14 Screw-32

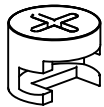


(p1) Threaded Dowel Pin-8



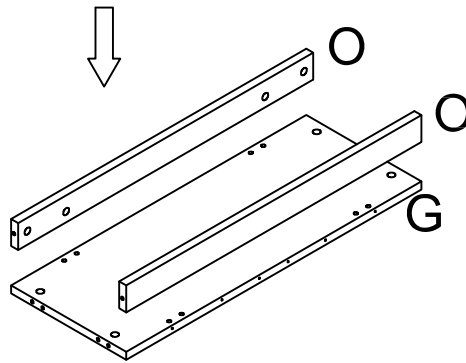
(b1) Backing Strip-1

Pre-installed parts



(c5) Cam

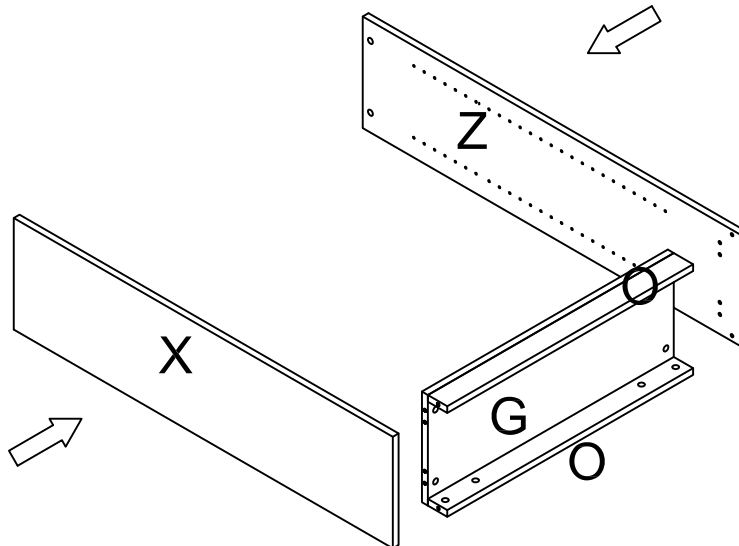
STEP 1



Preparation for Panels O and G.

1. Connect Cam bolts and dowels on panel O to the holes on panel G and tighten in a clockwise direction as illustrated above.

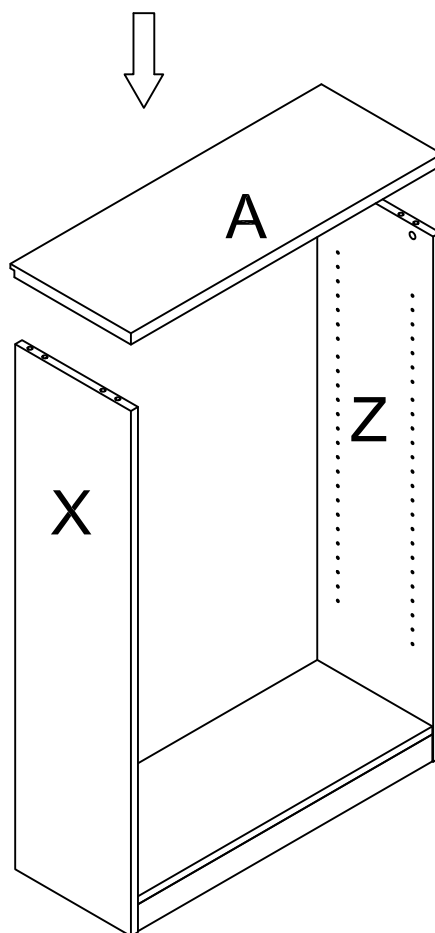
STEP 2



Preparation for Panels X and Z.

1. Connect Cam bolts and dowels on panel O and G to the holes on panel X and Z and tighten in a clockwise direction as illustrated above.

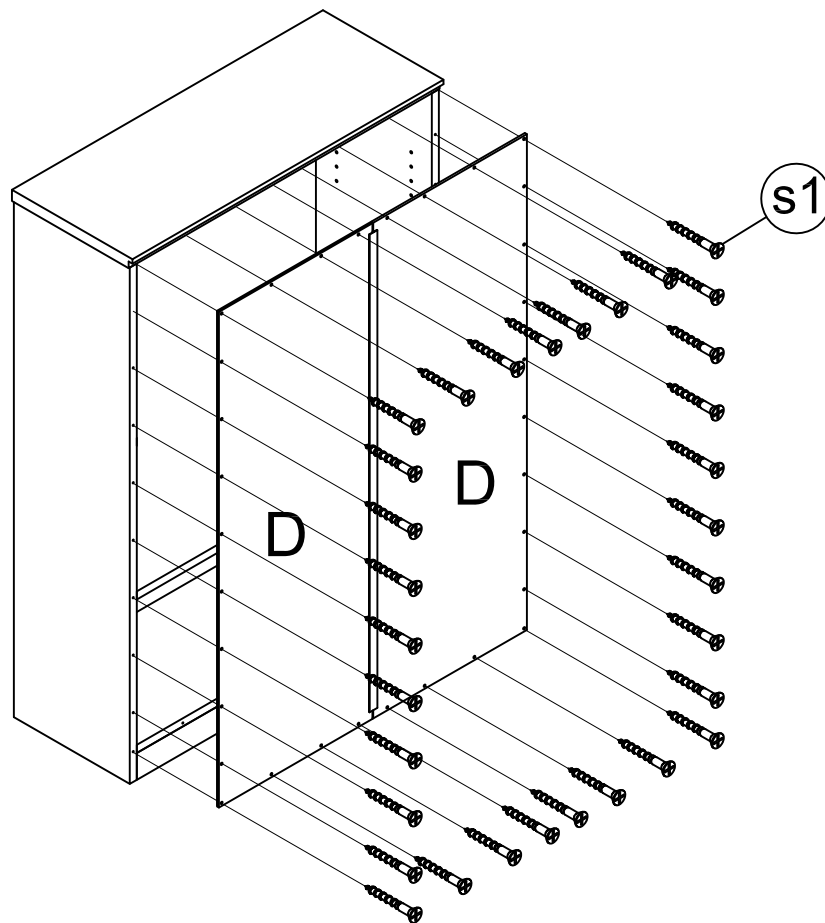
STEP 3



Preparation for Panels A.

1. Connect Cam bolts and dowels on panel X and Z to the holes on panel A and tighten in a clockwise direction as illustrated above.

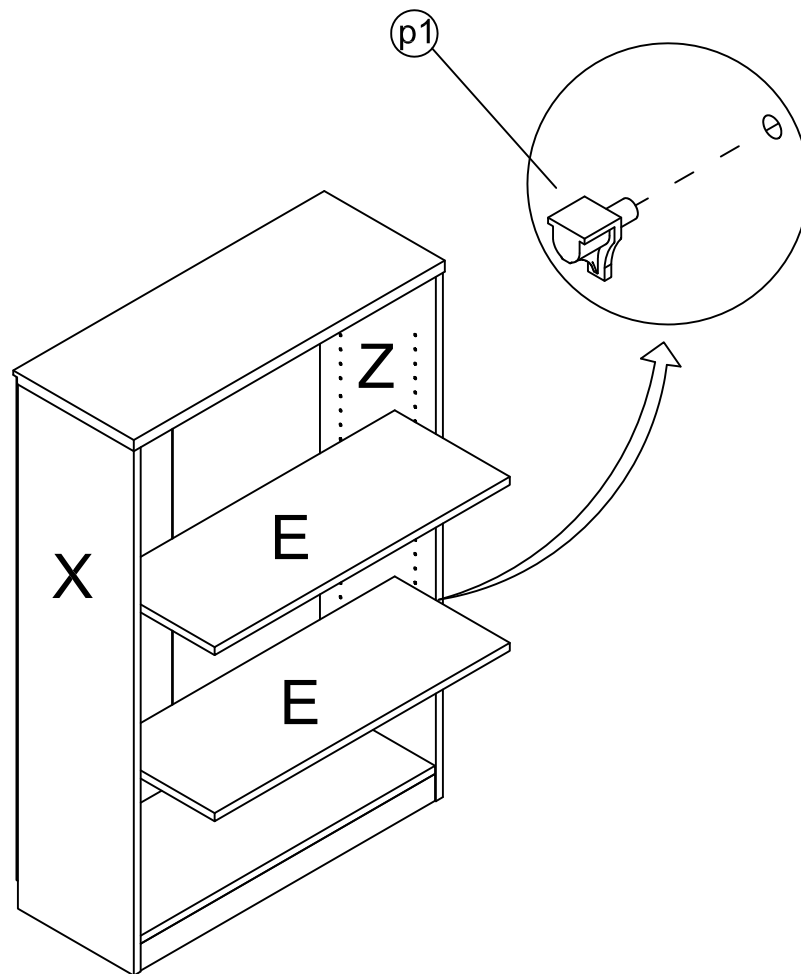
STEP 4



Bookcase back panel D assembly.

1. Connect back panel D and panel X,Z,G,A with screw (s1) as illustrated above.

STEP 5



Moveable shelf E assembly.

1. Insert threaded dowel pins (p1) into panels X and Z as illustrated above.
2. Put the two panels E on the top of threaded dowel pins (p1) as illustrated above.

You have now successfully completed the assembly on item:

Cupboard

ITEM NO. : OG-EKB812

