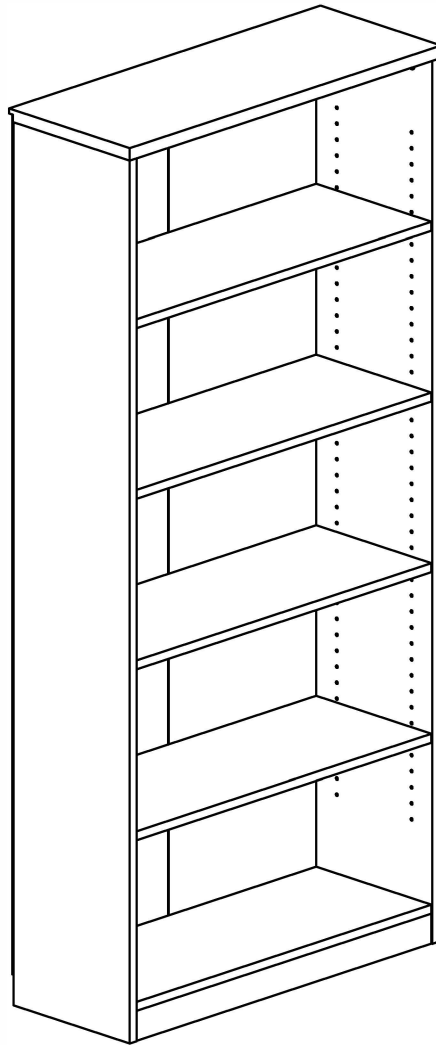


# ASSEMBLY INSTRUCTION

## Cupboard

**ITEM NO. : OG-EKB818**

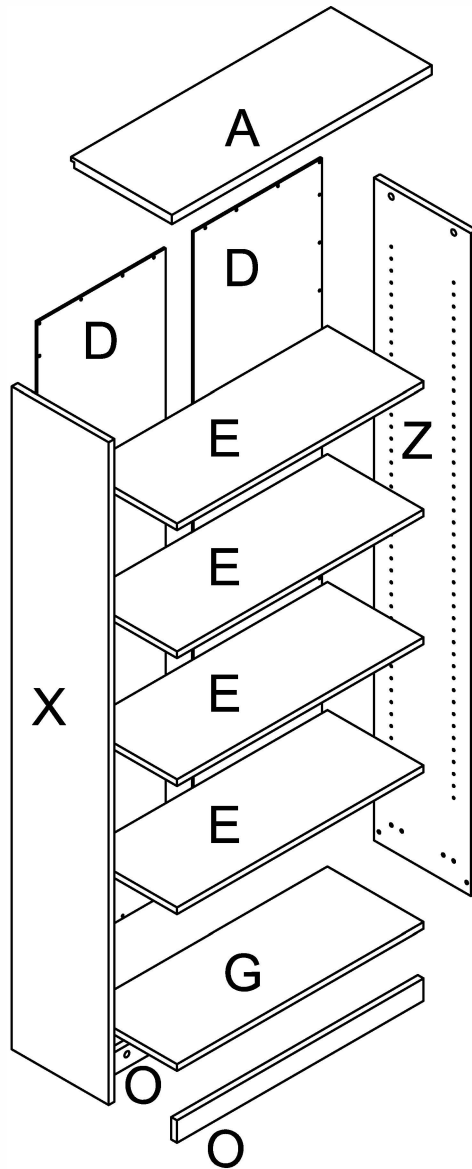




The turning direction of attaching



The arrow direction=front



# PARTS LIST

ITEM	DESCRIPTION	QTY.	ITEM	DESCRIPTION	QTY.
A	Top panel	1	@	(%) Cam Cover	16
X	Left side panel	1	@	Threaded Dowel Pin	16
Z	Right side panel	1	Ⓡ	3.5*14 Screw	42
D	Back panel	2	Ⓡ	Backing Strip	1
G	Bottom panel	1			
E	Moveable shelf	4			
O	Batten	2			

\J

@ (¼") Cam Cover-16

i

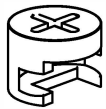
◆ 3.5\*14 Screw-42

@ Threaded Dowel Pin-16



Backing Strip-1

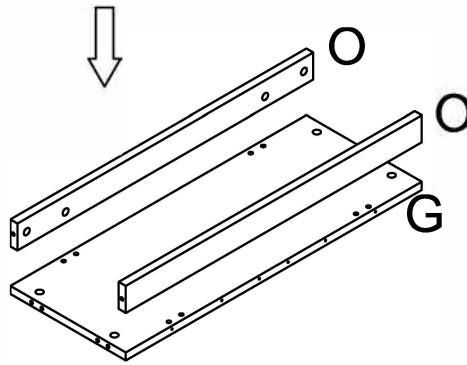
## Pre-installed parts



@ Cam

## STEP 1

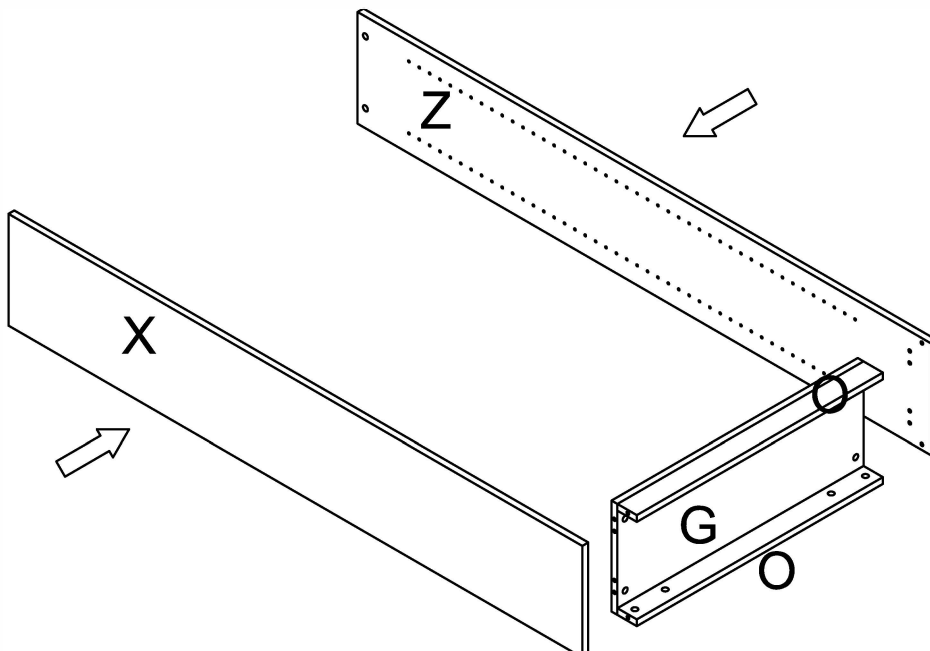
---



### Preparation for Panels O and G.

1. Connect Cam bolts and dowels on panel O to the holes on panel G and tighten in a clockwise direction as illustrated above.

## STEP 2

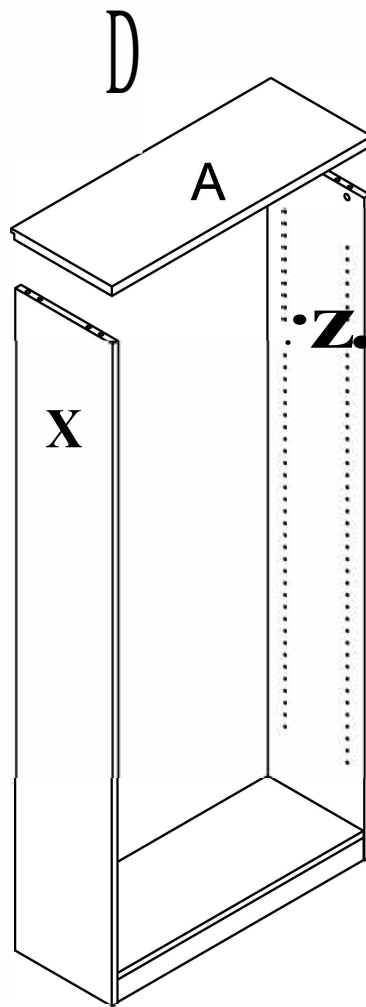


### Preparation for Panels X and Z.

1. Connect Cam bolts and dowels on panel O and G to the holes on panel X and Z and tighten in a clockwise direction as illustrated above.

## STEP 3

---

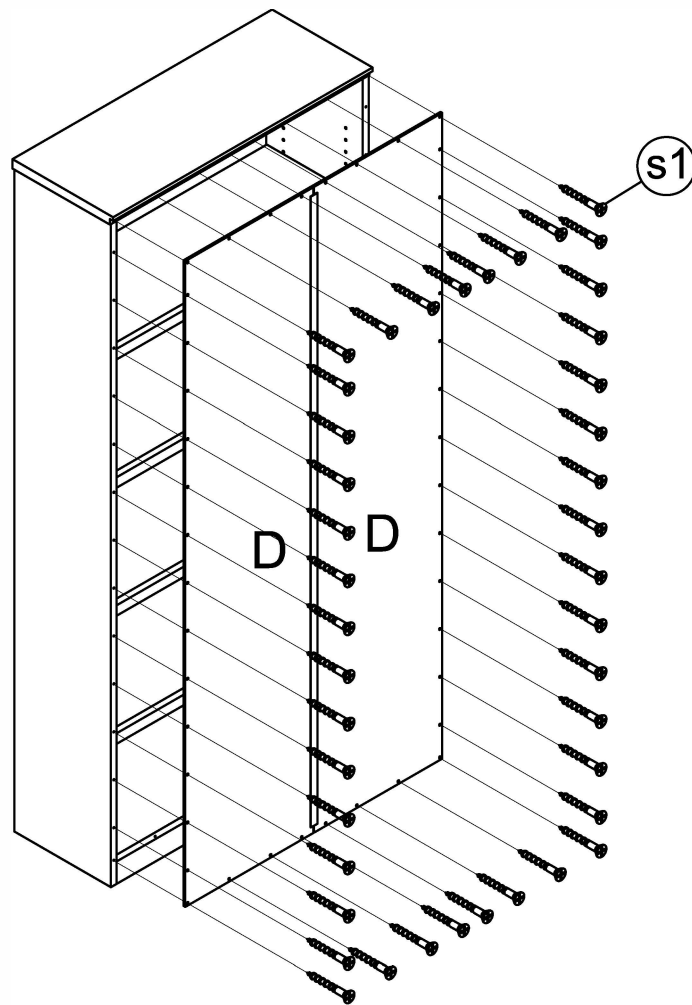


### Preparation for Panels A.

1. Connect Cam bolts and dowels on panel X and Z to the holes on panel A and tighten in a clockwise direction as illustrated above.

# STEP 4

---

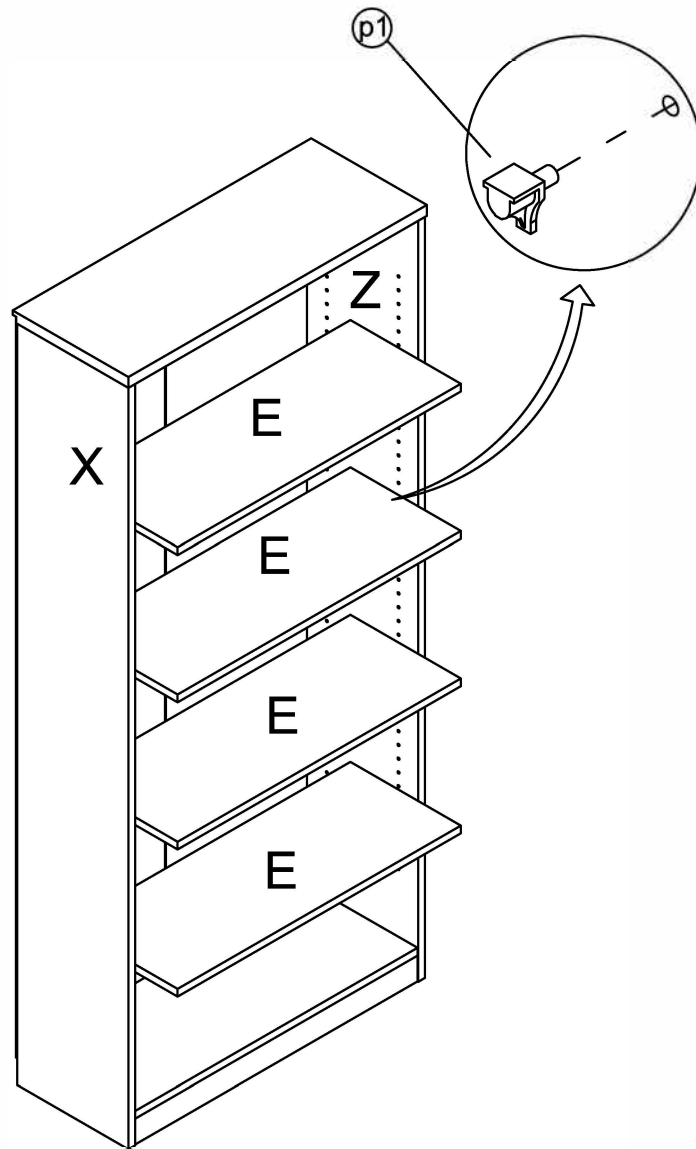


## Bookcase back panel D assembly.

1. Connect back panel D and panel X,Z,G,A with screw(S1)as illustrated above.

## STEP 5

---



### **Moveable shelf E assembly.**

1. Insert threaded dowel pins (a) into panels X and Z as illustrated above.
2. Put the two panels E on the top of threaded dowel pins (a) as illustrated above.

---

You have now successfully completed the assembly on item:

Cupboard

ITEM NO. : OG-EKB818

