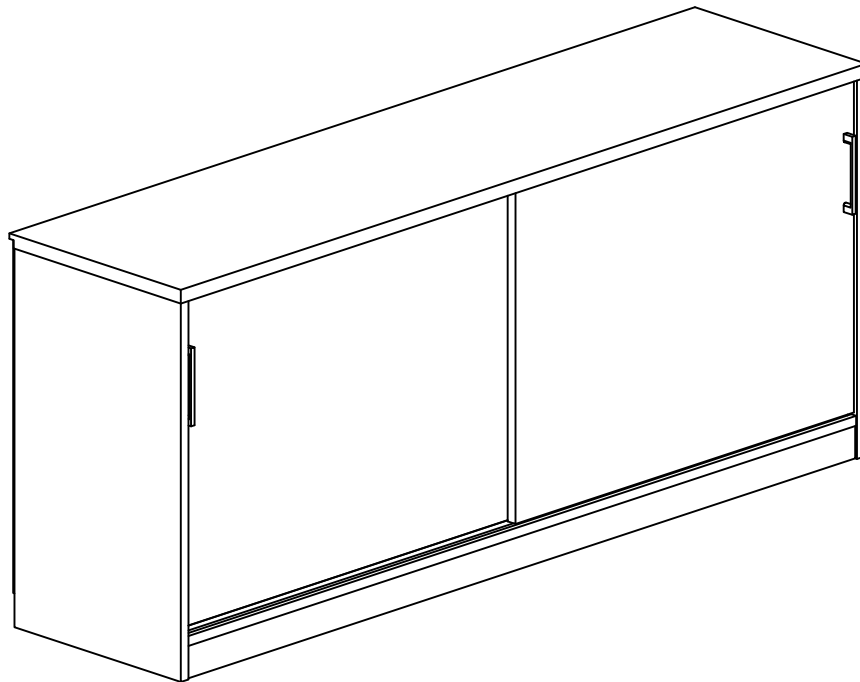
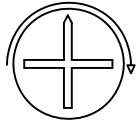


ASSEMBLY INSTRUCTION

Cupboard

ITEM NO. : OG-EKCZ167

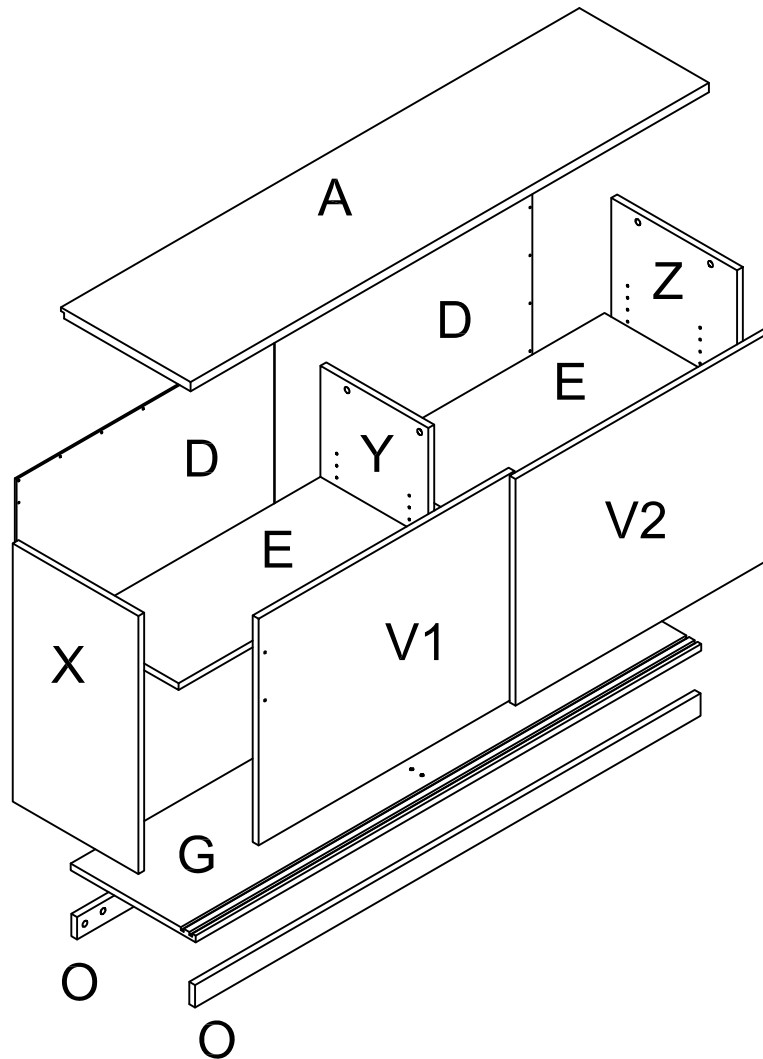




The turning direction of attaching



The arrow direction=front



PARTS LIST

ITEM	DESCRIPTION	QTY.	ITEM	DESCRIPTION	QTY.
A	Top panel	1	(c2)	(⁵ / ₈ ") Cam Cover	24
X	Left side panel	1	(p1)	Threaded Dowel Pin	8
Z	Right side panel	1	(S ₁)	3.5*14 Screw	38
D	Back panel	2	(F ₁)	∅12 Foot nail	3
G	Bottom panel	1	(S ₂)	4*22 Fix Bolt	4
E	Moveable shelf	2	(h ₁)	Handle	2
Y	Partition	1			
O	Batten	2			
V1	Door panel	1			
V2	Door panel	1			



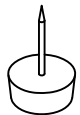
(c2) (⁵/₈") Cam Cover-24



(p1) Threaded Dowel Pin-8



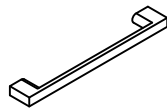
(S₁) 3.5*14 Screw-38



(F₁) ∅12 Foot nail-3

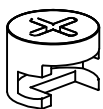


(S₂) 4*22 Fix Bolt-4



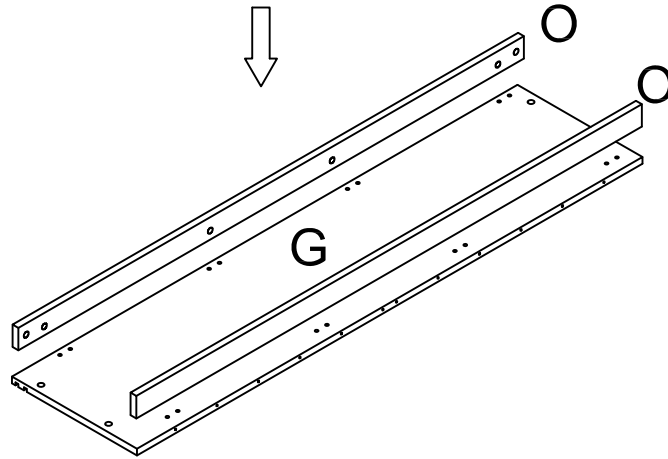
(h₁) Handle-2

Pre-installed parts



(c5) Cam

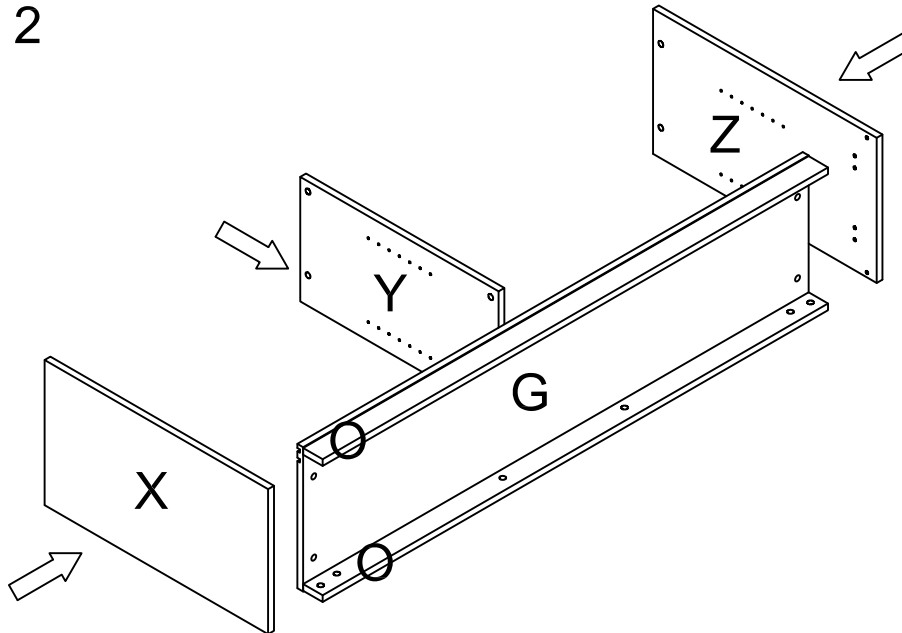
STEP 1



Preparation for Panels O and G.

1. Connect Cam bolts and dowels on panel O to the holes on panel G and tighten in a clockwise direction as illustrated above.

STEP 2

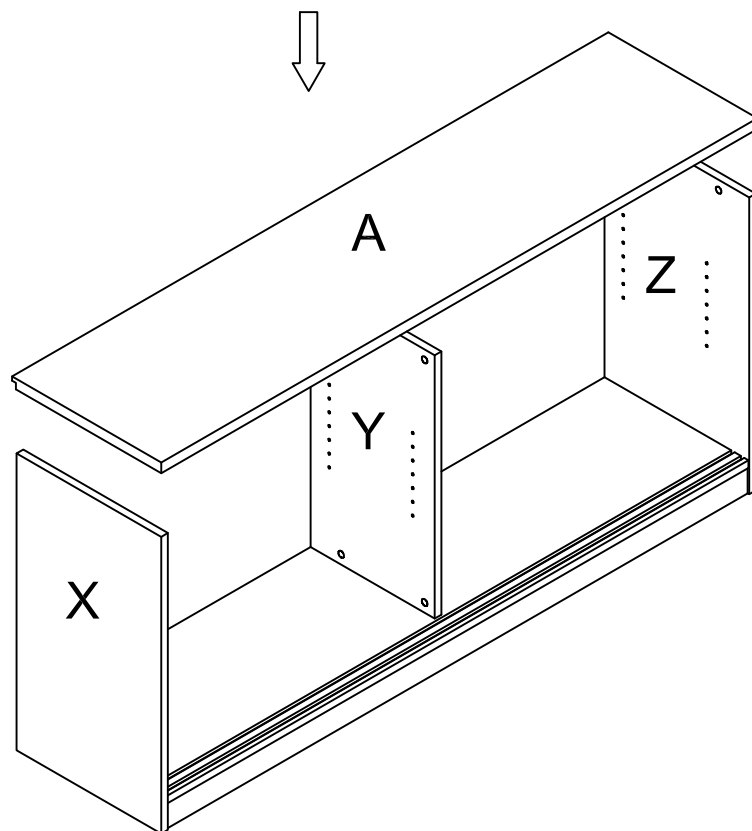


Preparation for Panels X,Z and Y.

1. Connect Cam bolts and dowels on panel Y to the holes on panel G and tighten in a clockwise direction as illustrated above.

2. Connect Cam bolts and dowels on panel O and G to the holes on panel X and Z and tighten in a clockwise direction as illustrated above.

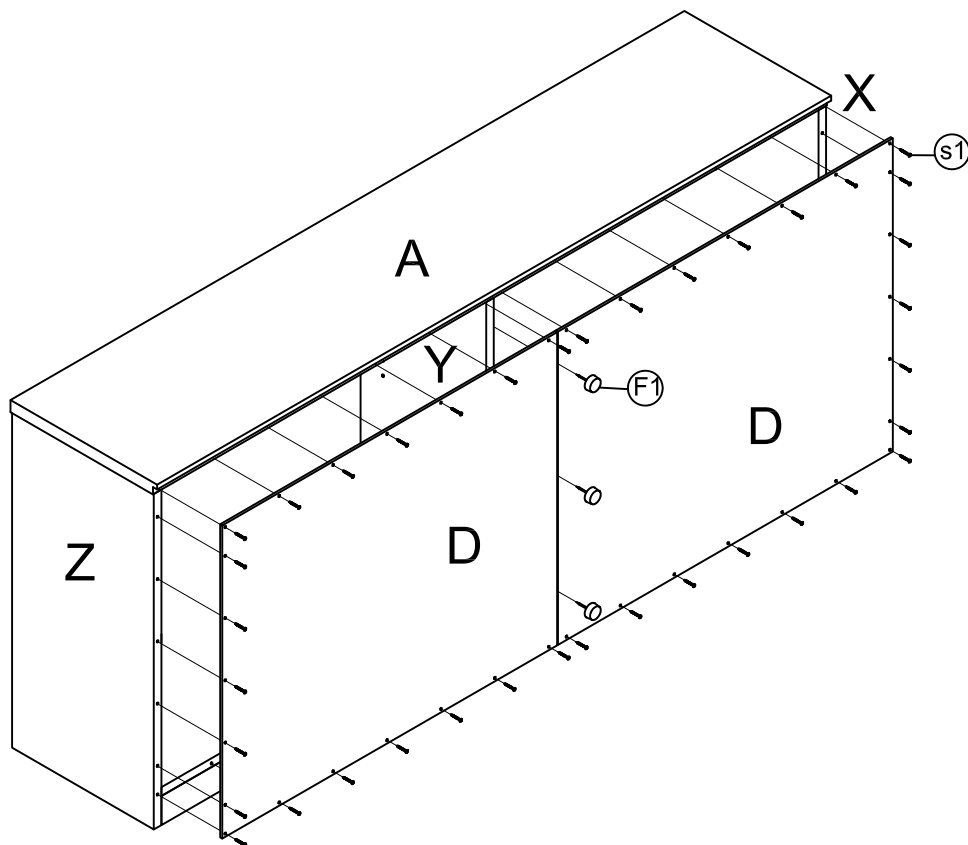
STEP 3



Preparation for Panels A.

1. Connect Cam bolts and dowels on panel X ,Z and Y to the holes on panel G and tighten in a clockwise direction as illustrated above.

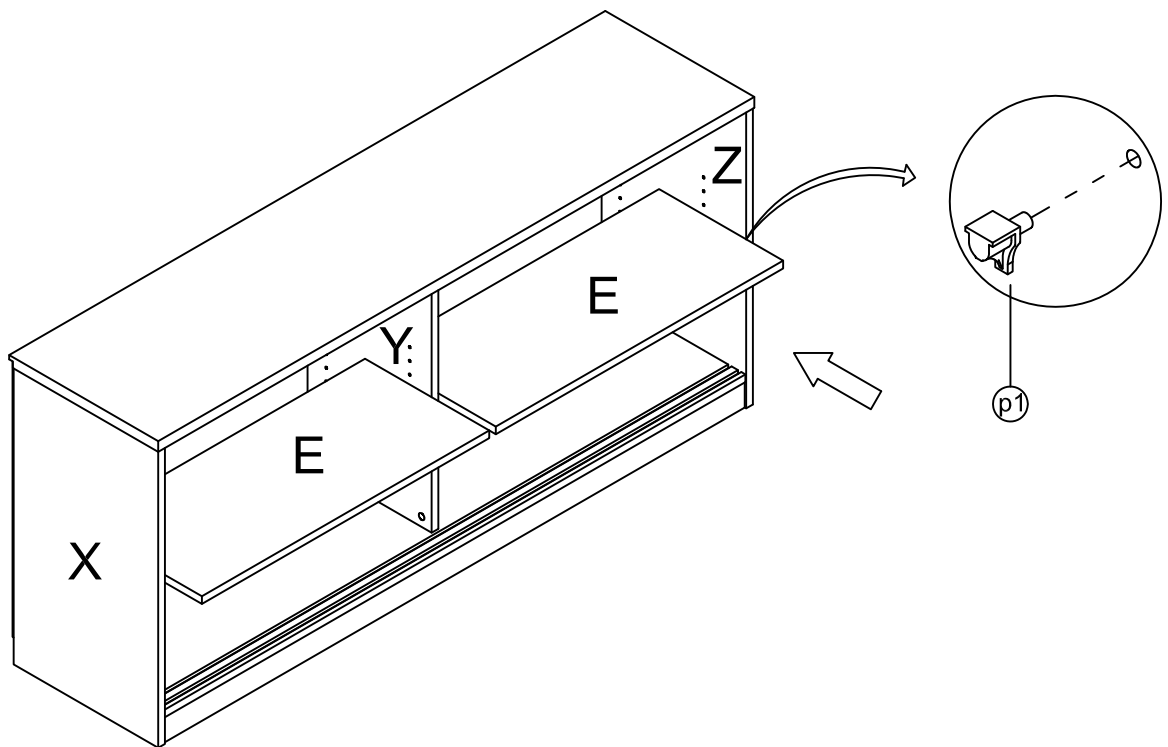
STEP 4



Preparation for Panels D.

1. Connect back panel D and panel X,Z,Y,G,A with screw (s1) as illustrated above.
2. Connect back panel D and panel Y with Foot nail (F1) as illustrated above.

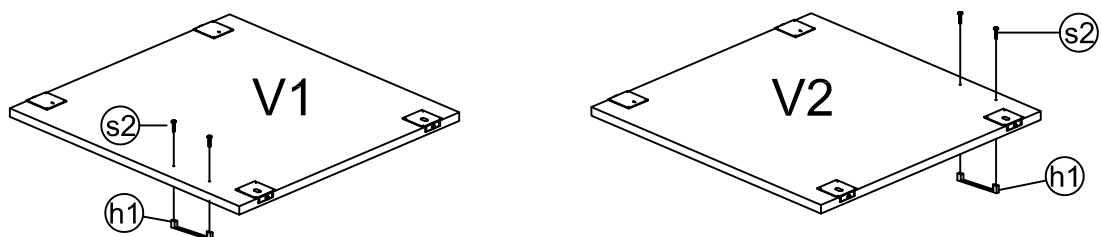
STEP 5



Moveable shelf E assembly.

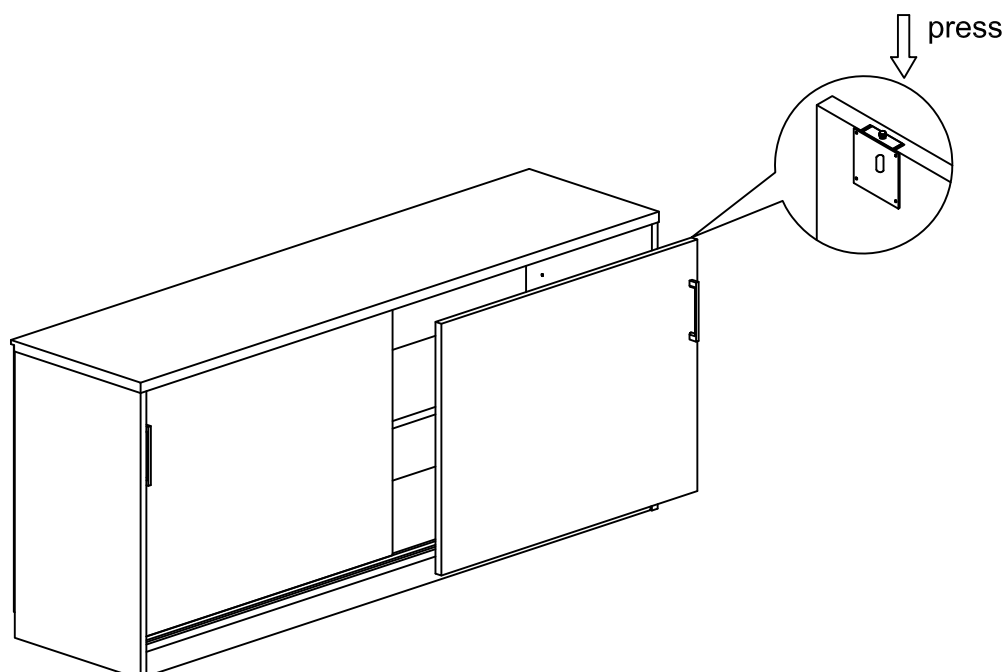
1. Insert threaded dowel pins (p1) into panels X ,Z and Y as illustrated above.
2. Put the three panels E on the top of threaded dowel pins (p1) as illustrated above.

STEP 6



1. Fix handles (h1) to panels V1 and V2 with fix bolts (s2) as illustrated above.

STEP 7



1. Credenza door V1 and V2 assembly.

You have now successfully completed the assembly on item:

Cupboard

ITEM NO. : OG-EKCZ167

