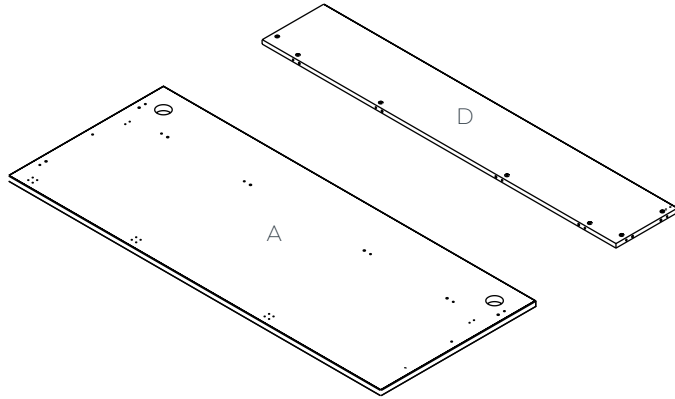


EkoSystem SSD

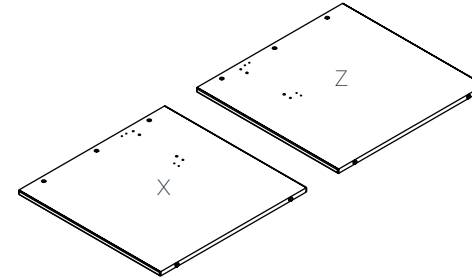
Assembly Instructions

EkoSystem SSD

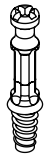
Components List



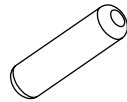
Top Panel (A) & Back Panel (D)



Left Side Panel (X) & Right Side Panel (Z)



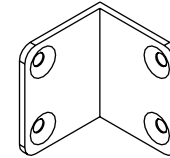
14 - 6 x 35mm Cam Bolts



12 - 8 x 30mm Dowel Pin



14 - 5/8" Cam Cover



4 x Bracket



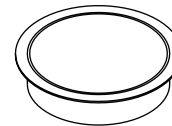
16 - 4 x 16mm Screw



Pre-installed Parts:



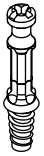
Cam



Cable Port Cover

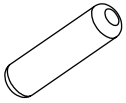


STEP 1:



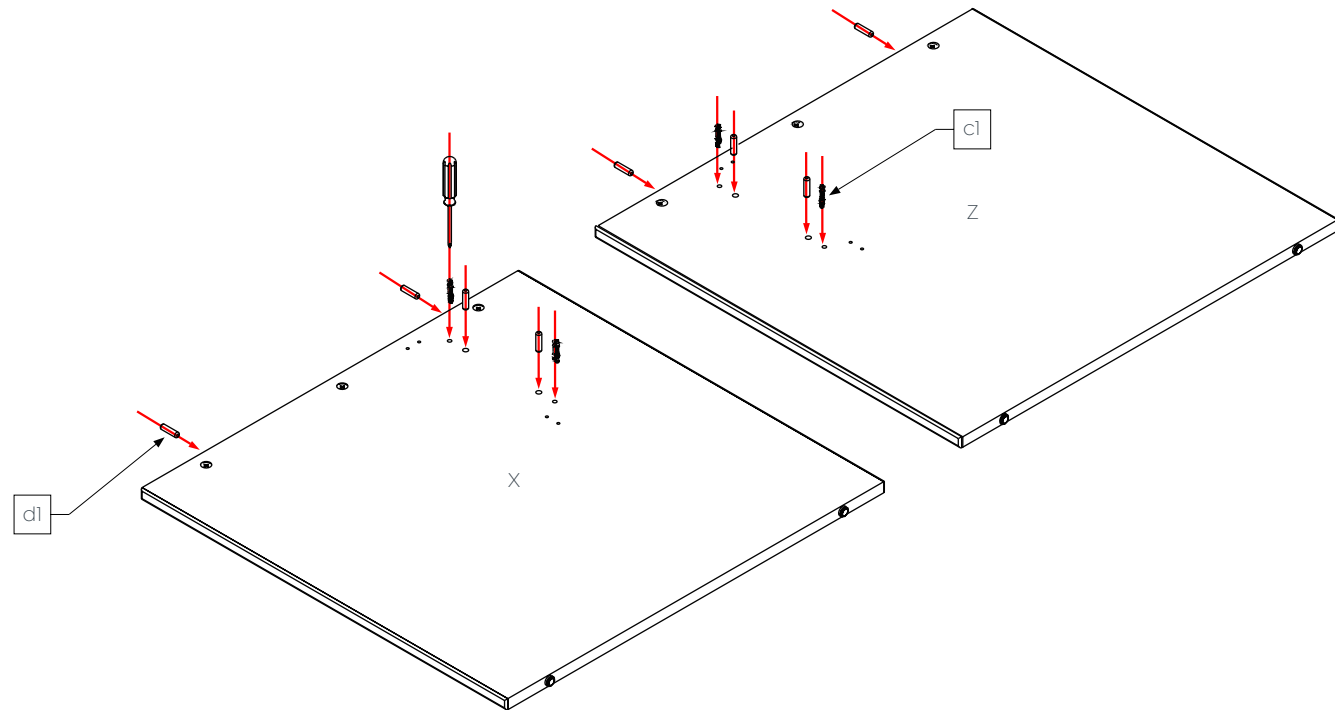
4 - 6 x 35mm
Cam Bolts

cl



4 - 8 x 30mm
Dowel Pin

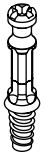
dl



EkoSystem SSD

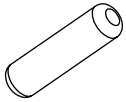
Assembly Instructions

STEP 1.5:



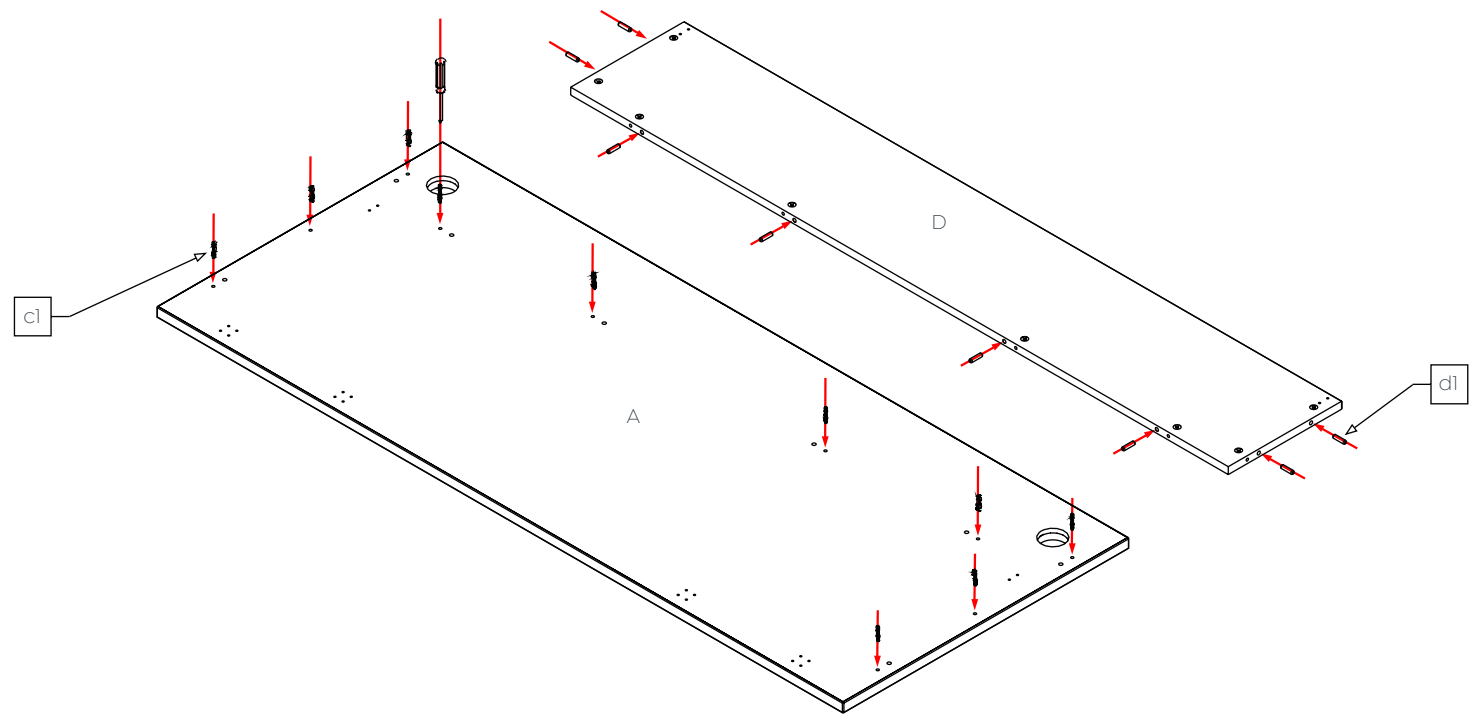
10 - 6 x 35mm
Cam Bolts

cl

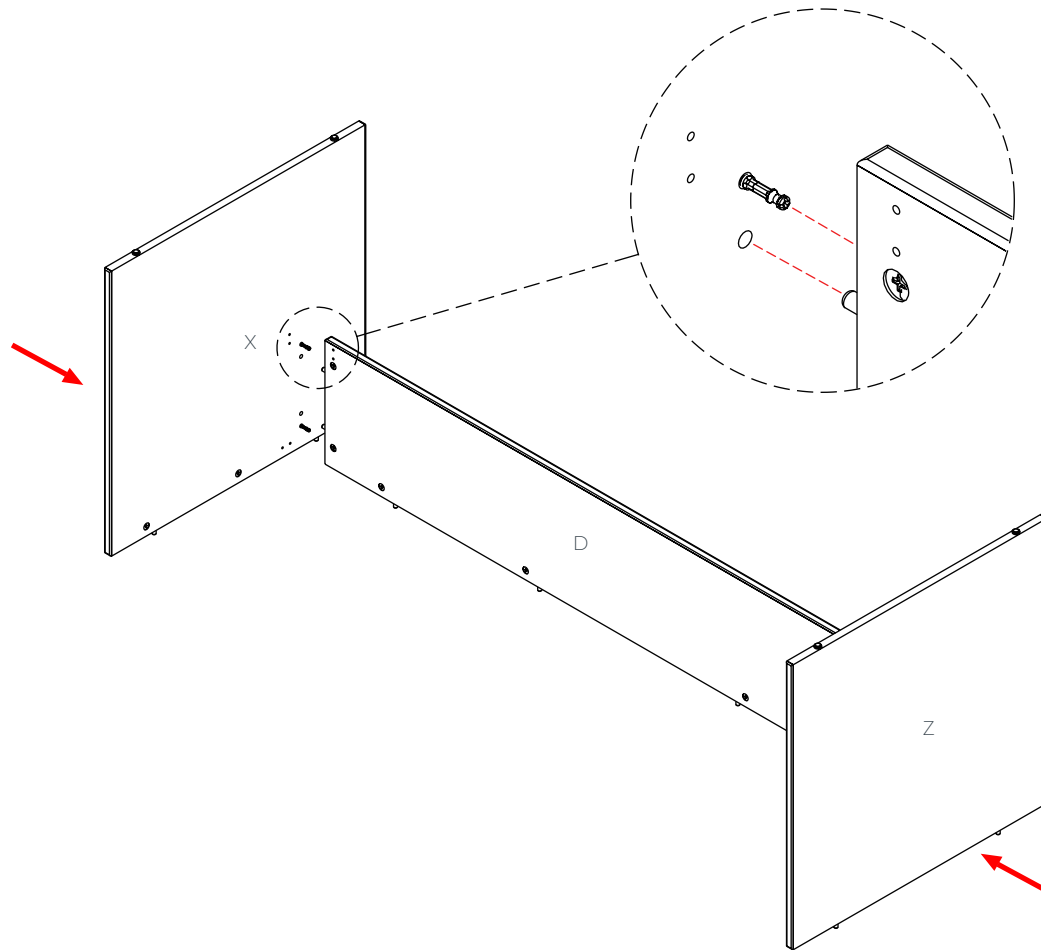


8 - 8 x 30mm
Dowel Pin

dl



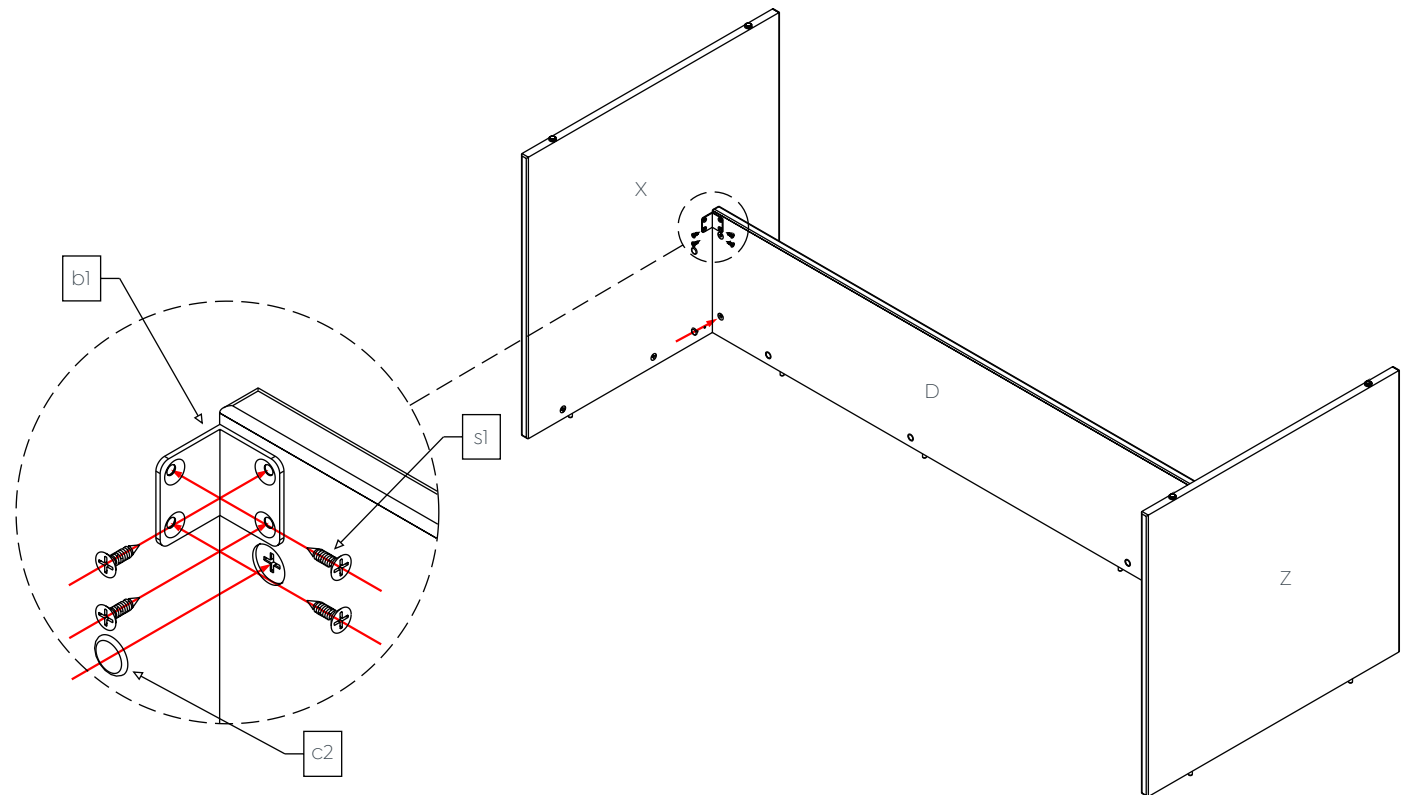
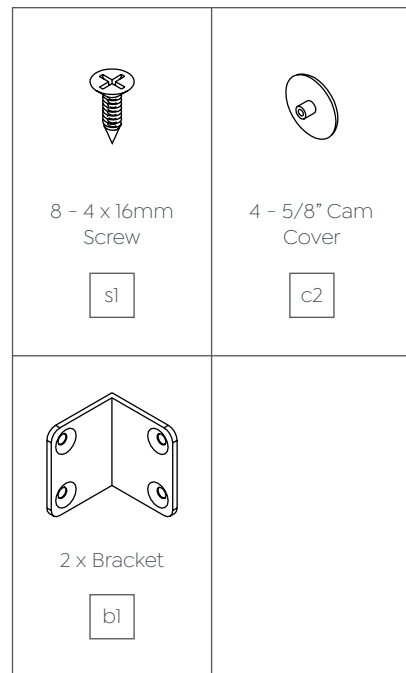
STEP 2:



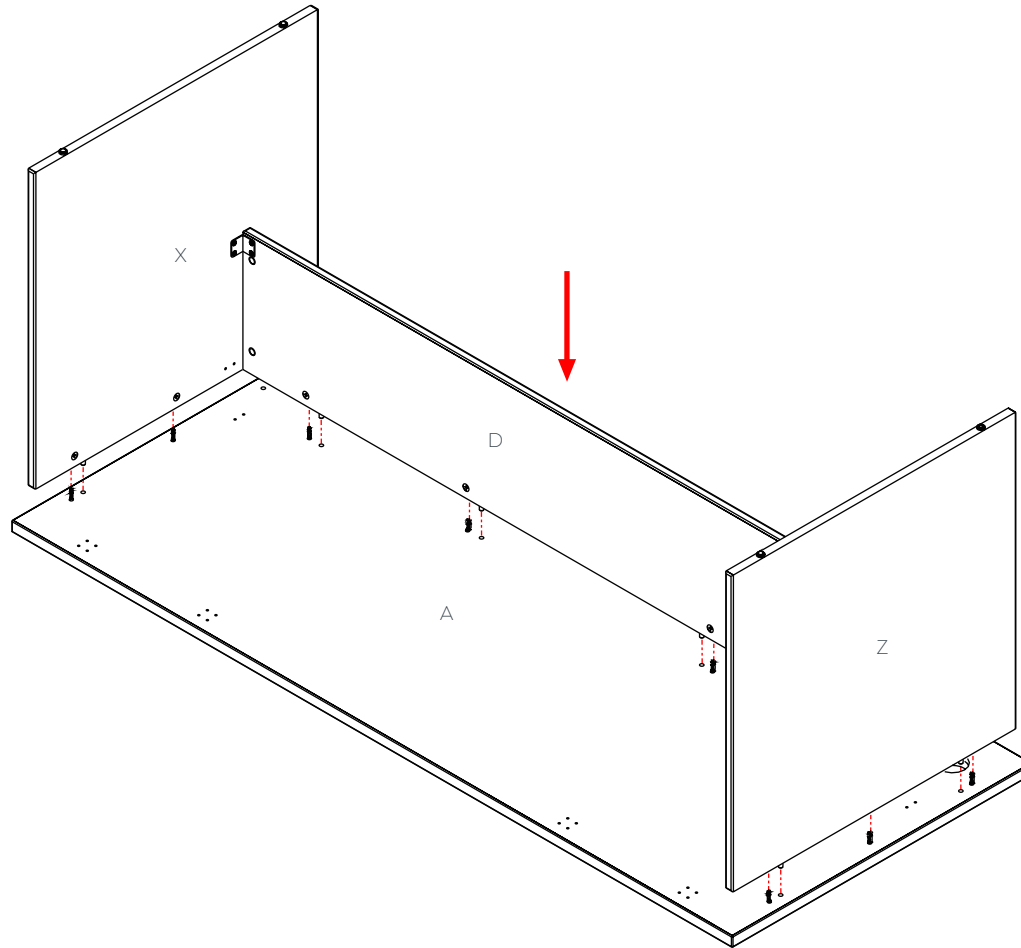
EkoSystem SSD

Assembly Instructions

STEP 3:





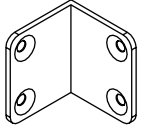
STEP 4:

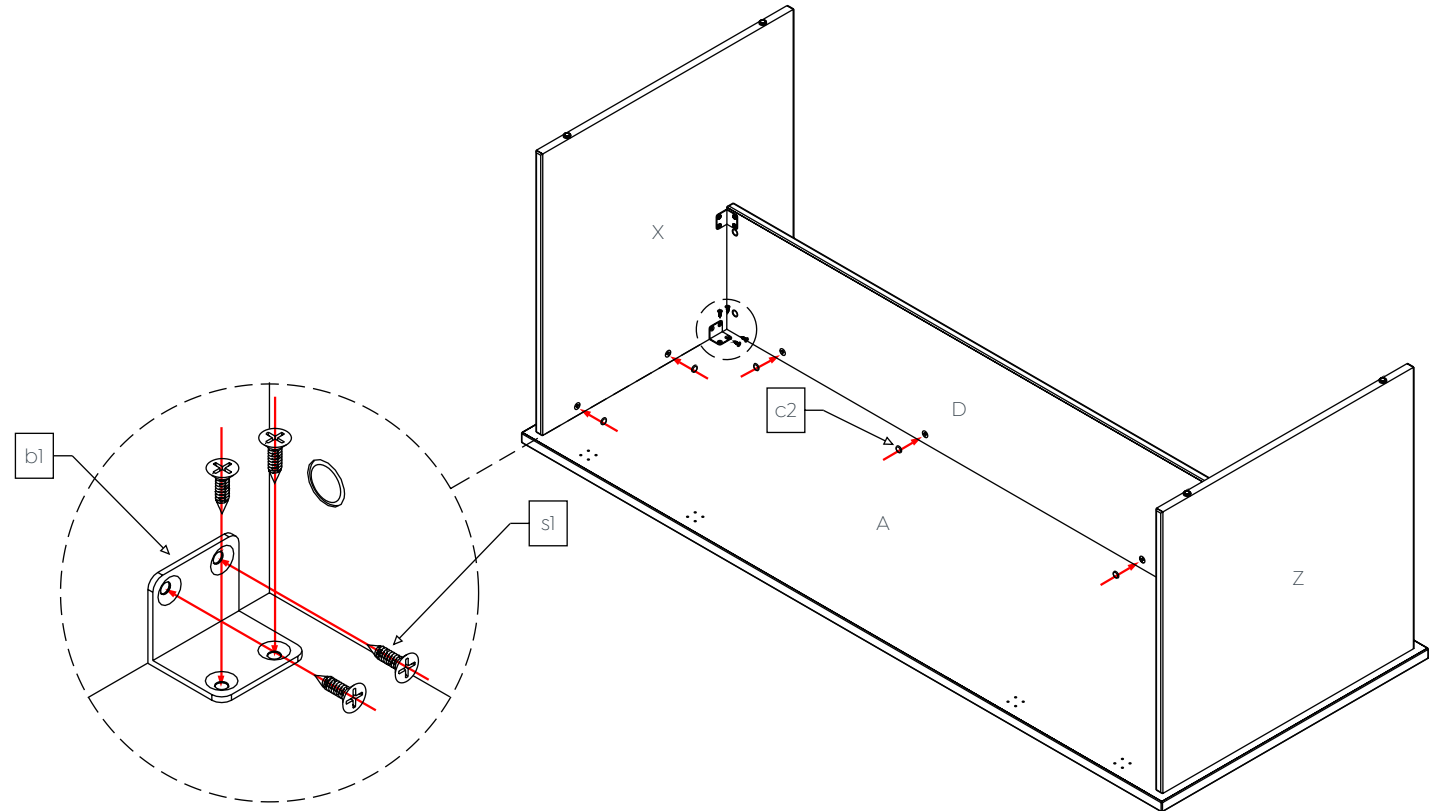


EkoSystem SSD

Assembly Instructions

STEP 5:

 <p>8 - 4 x 16mm Screw</p> <p>s1</p>	 <p>10 - 5/8" Cam Cover</p> <p>c2</p>
 <p>2 x Bracket</p> <p>b1</p>	



STEP 6:

