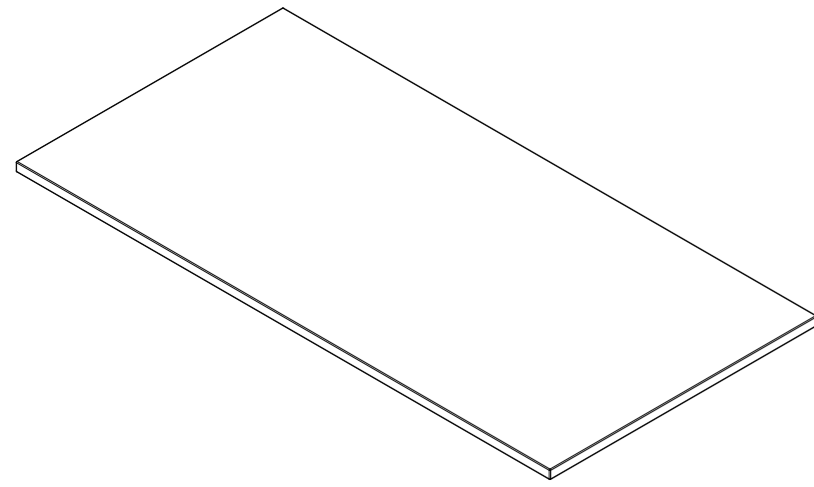
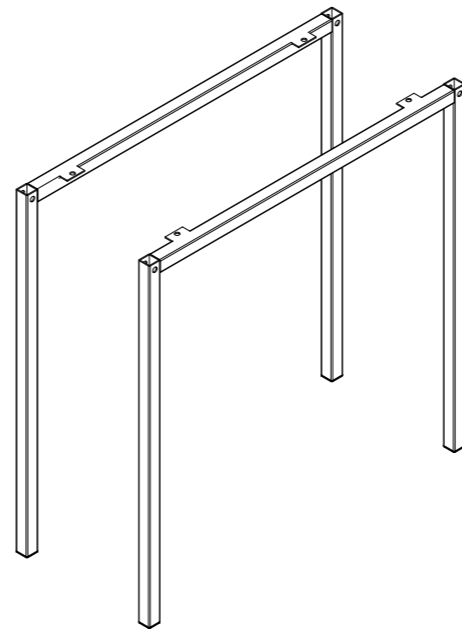


Ekosystem Canteen Table

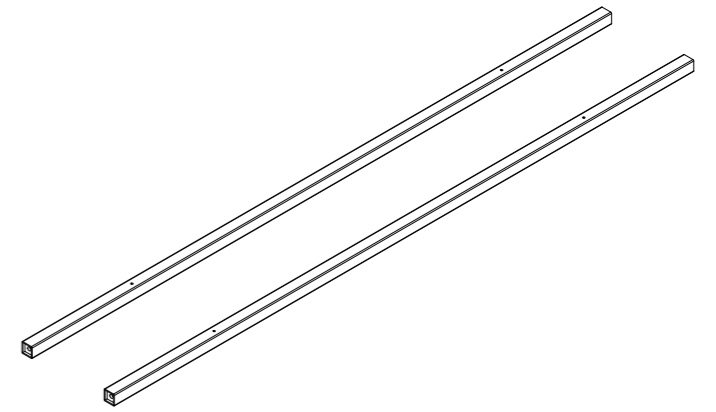
Parts:



Axis Worktop

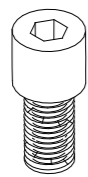


2 x End Leg



2 x Rails

Tools:



4 - M8 x 25mm

s1



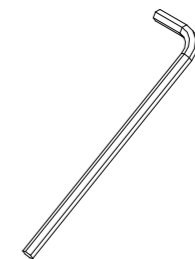
6 - ST4 x 40mm

s2



4 - ST4 x 16mm

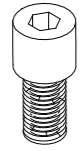
s3



Allen Key

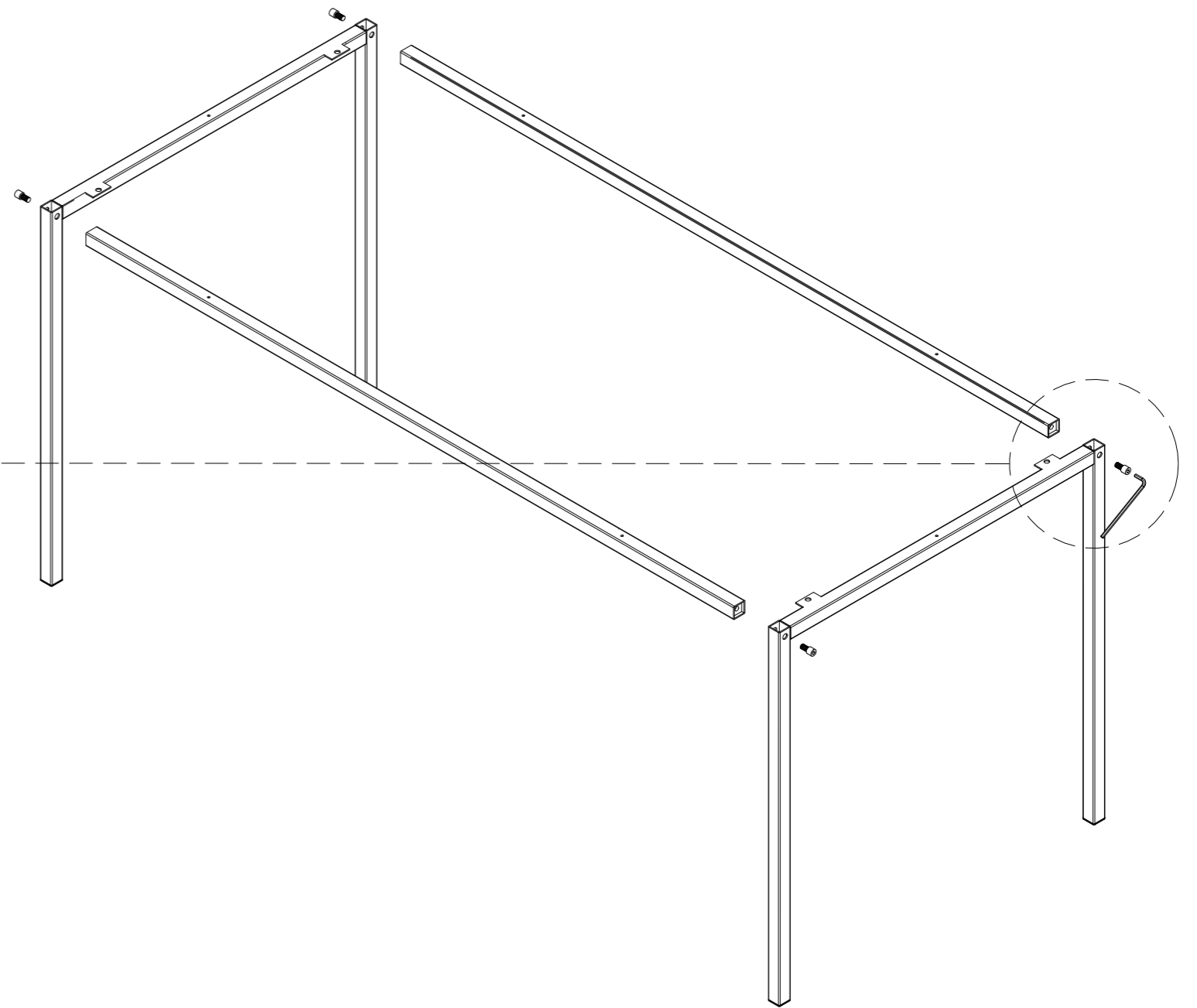
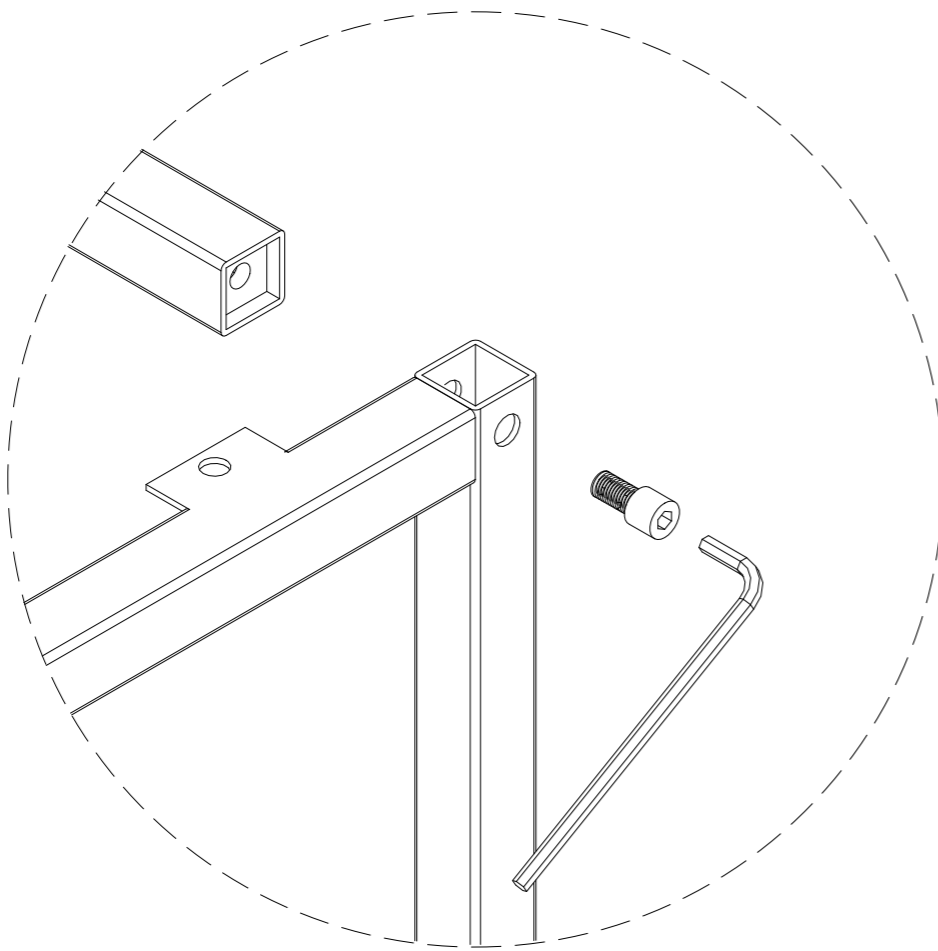
a1

Step 1

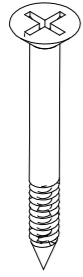


4 - M8 x 25mm

s1



Step 2



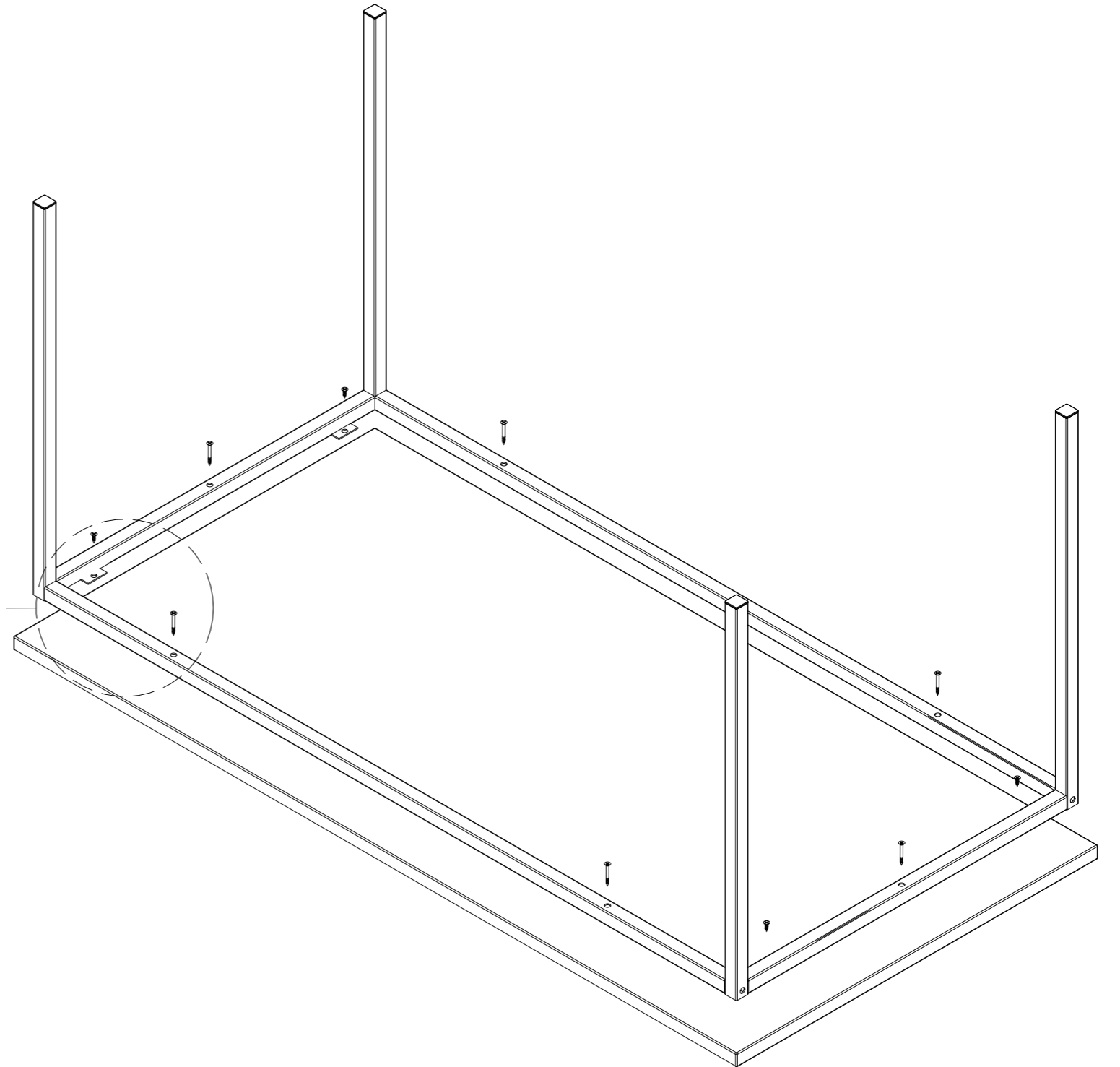
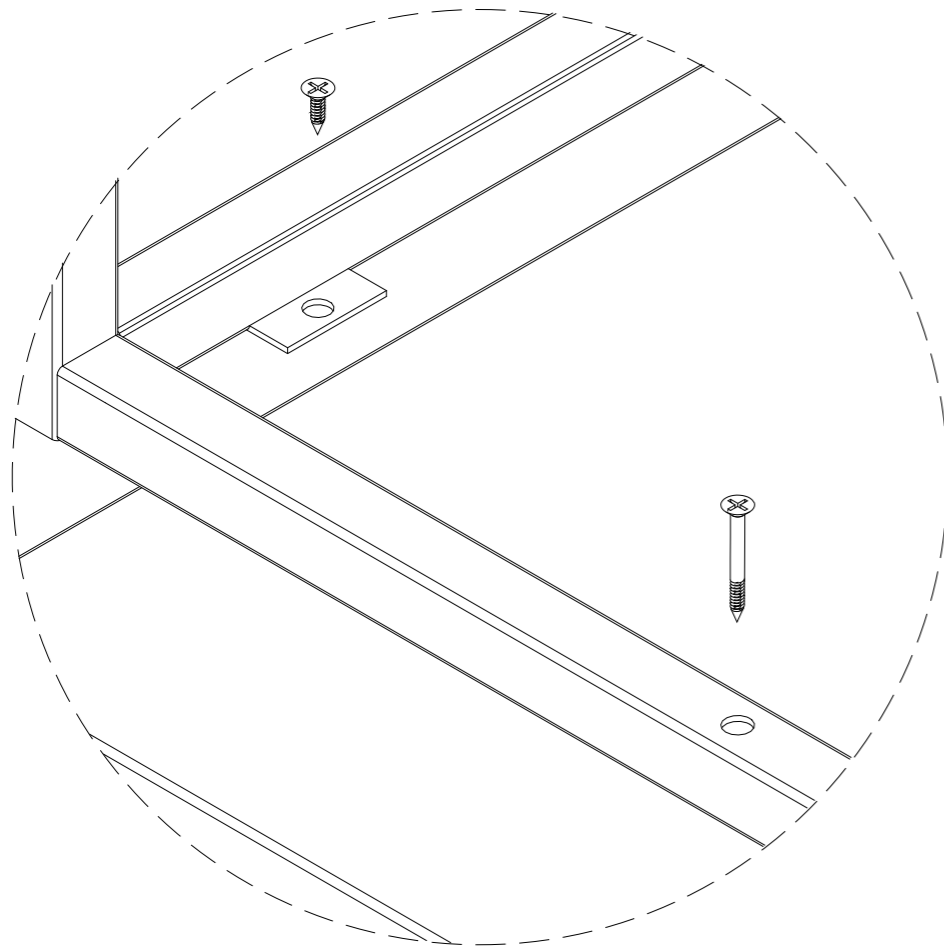
6 - ST4 x 25mm

s2



4 - ST4 x 16mm

s3



Complete

