

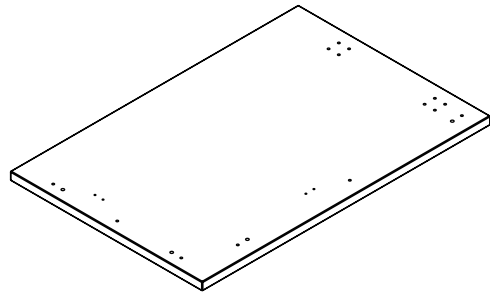
---

## **EkoSystem 900 x 600mm Fixed Return**

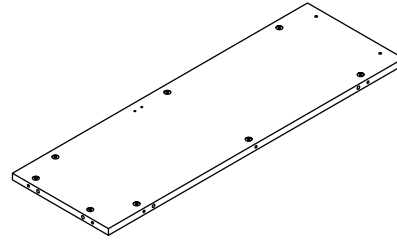
Assembly Instructions

# EkoSystem 900 x 600mm Fixed Return

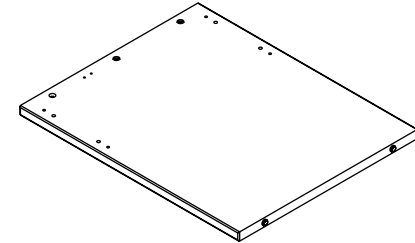
## Components List



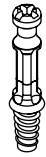
Partition (Y1)



Back Panel (D1)

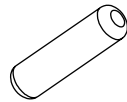


Top Panel (A1)



8 - 6 x 35mm Cam Bolts

c1



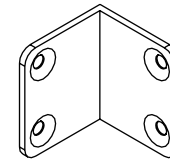
6 - 8 x 30mm Dowel Pin

d1



11 - 5/8" Cam Cover

c2



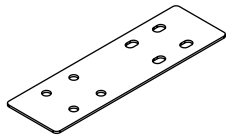
2 x Bracket

b1



16 - 4 x 16mm Screw

s1



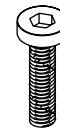
2 - 60mm x 200mm Connector

c5



16 - 6 x 12mm Screw

c5



2 - 6 x 25mm Screw

c5

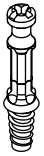
### Pre-installed Parts:



Cam

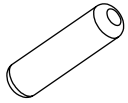
c5

## STEP 1:



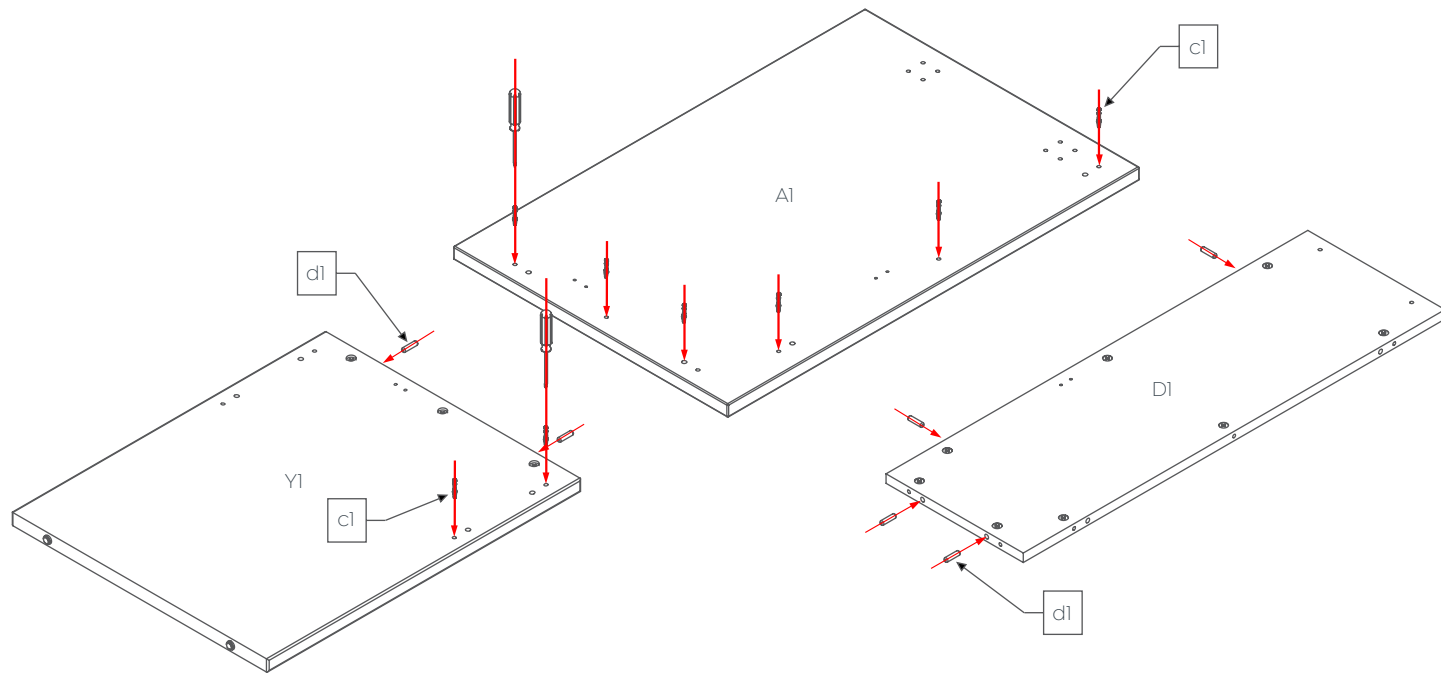
8 - 6 x 35mm  
Cam Bolts

cl



6 - 8 x 30mm  
Dowel Pin

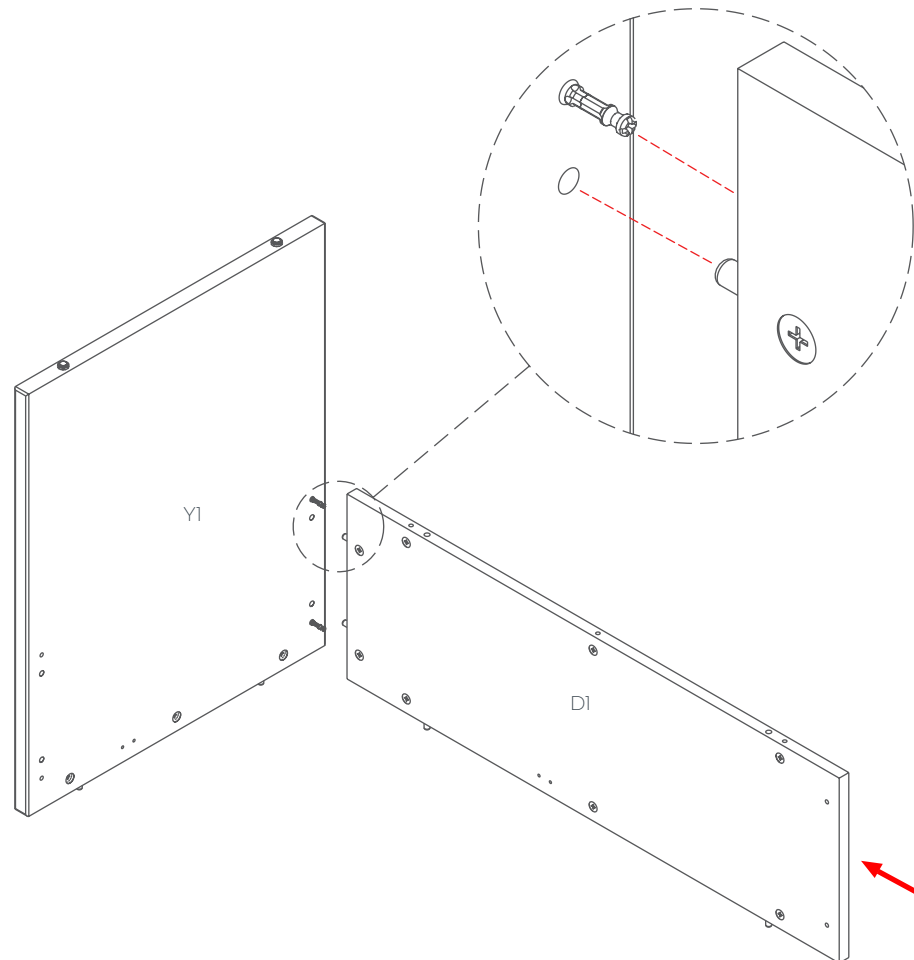
dl



# EkoSystem 900 x 600mm Fixed Return

## Assembly Instructions

### STEP 2:

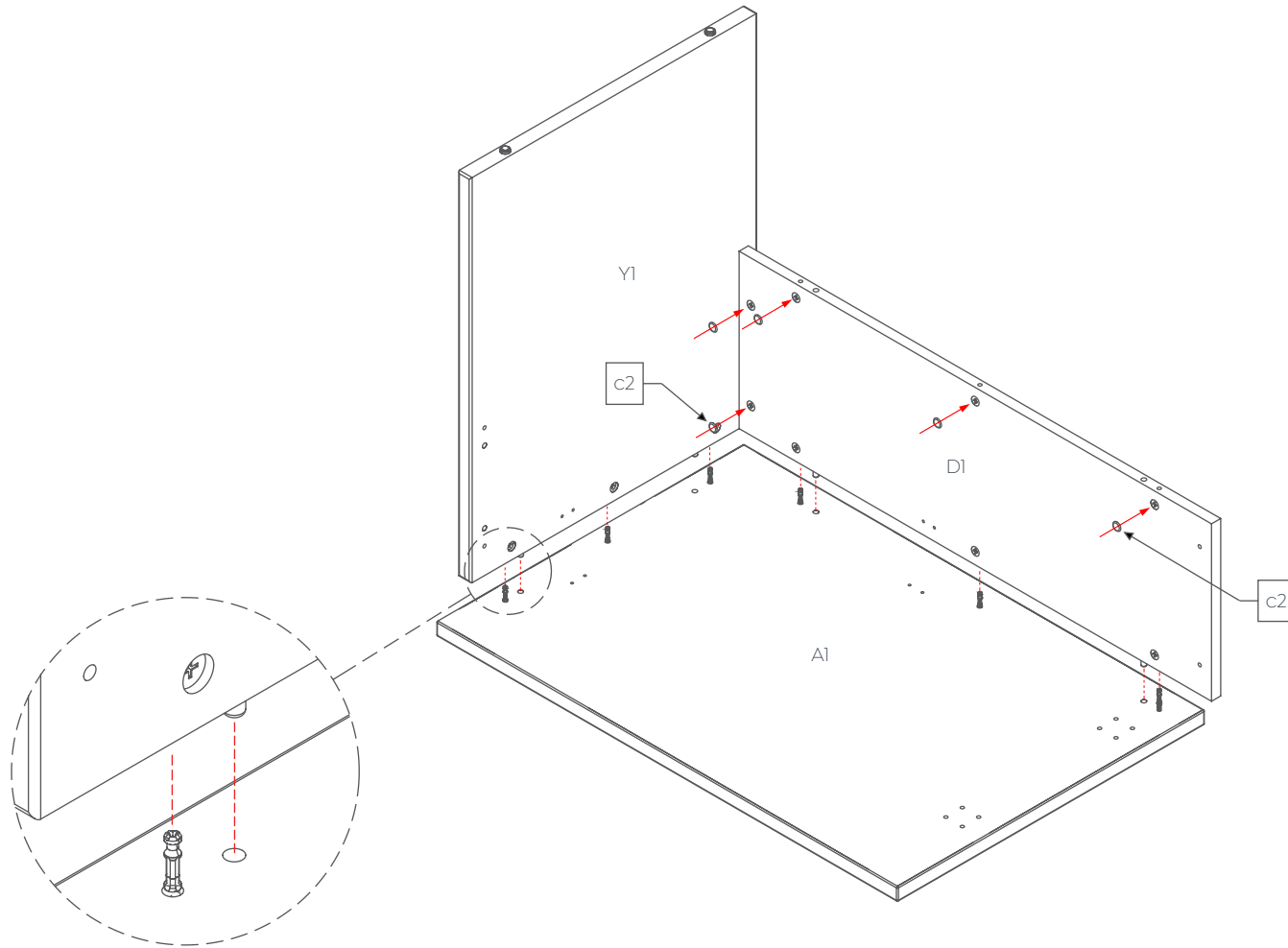


## STEP 3:



5 - 5/8" Cam  
Cover

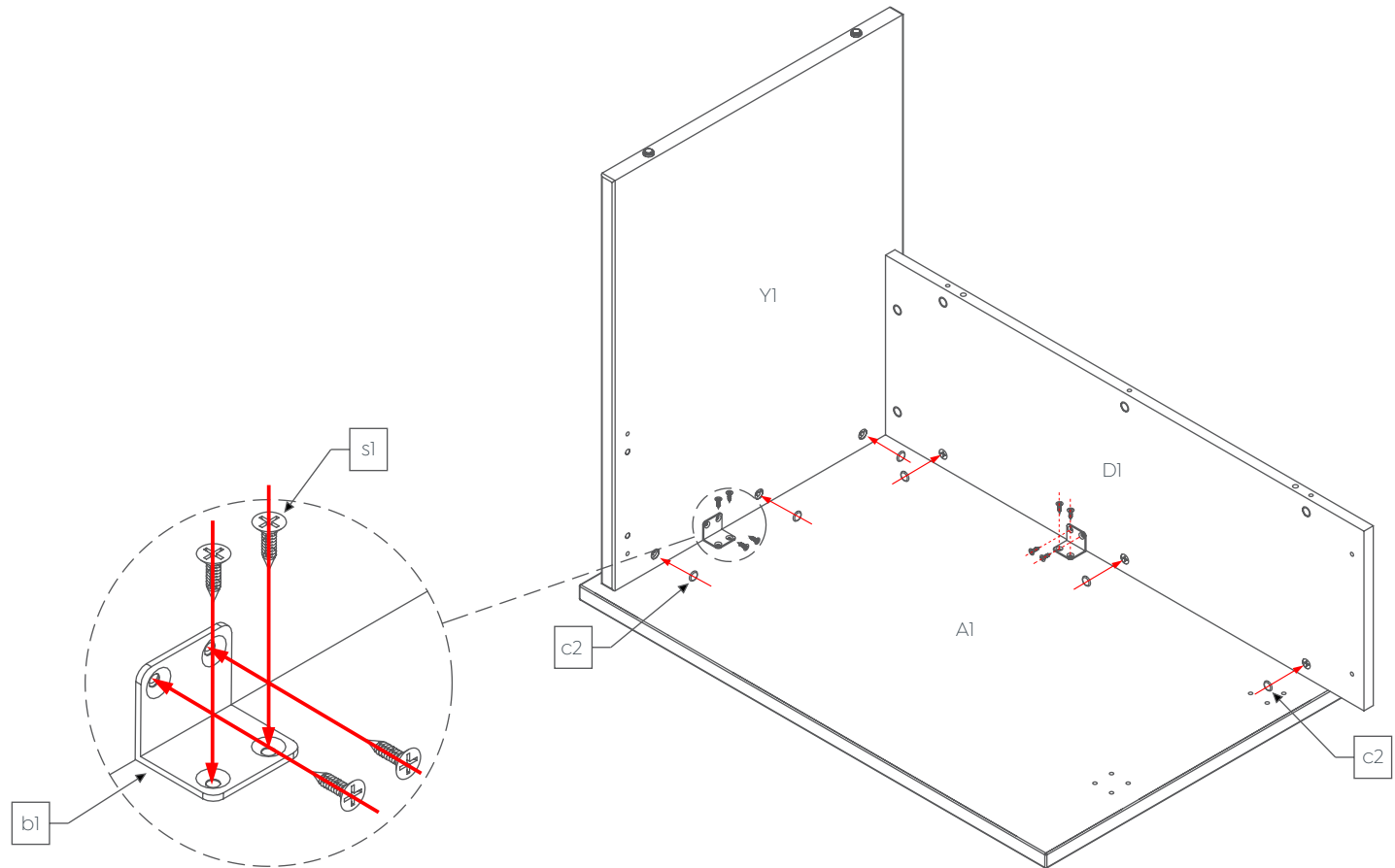
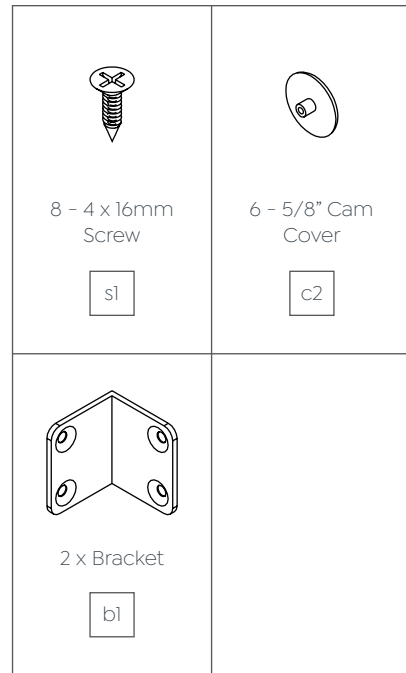
c2



# EkoSystem 900 x 600mm Fixed Return

## Assembly Instructions

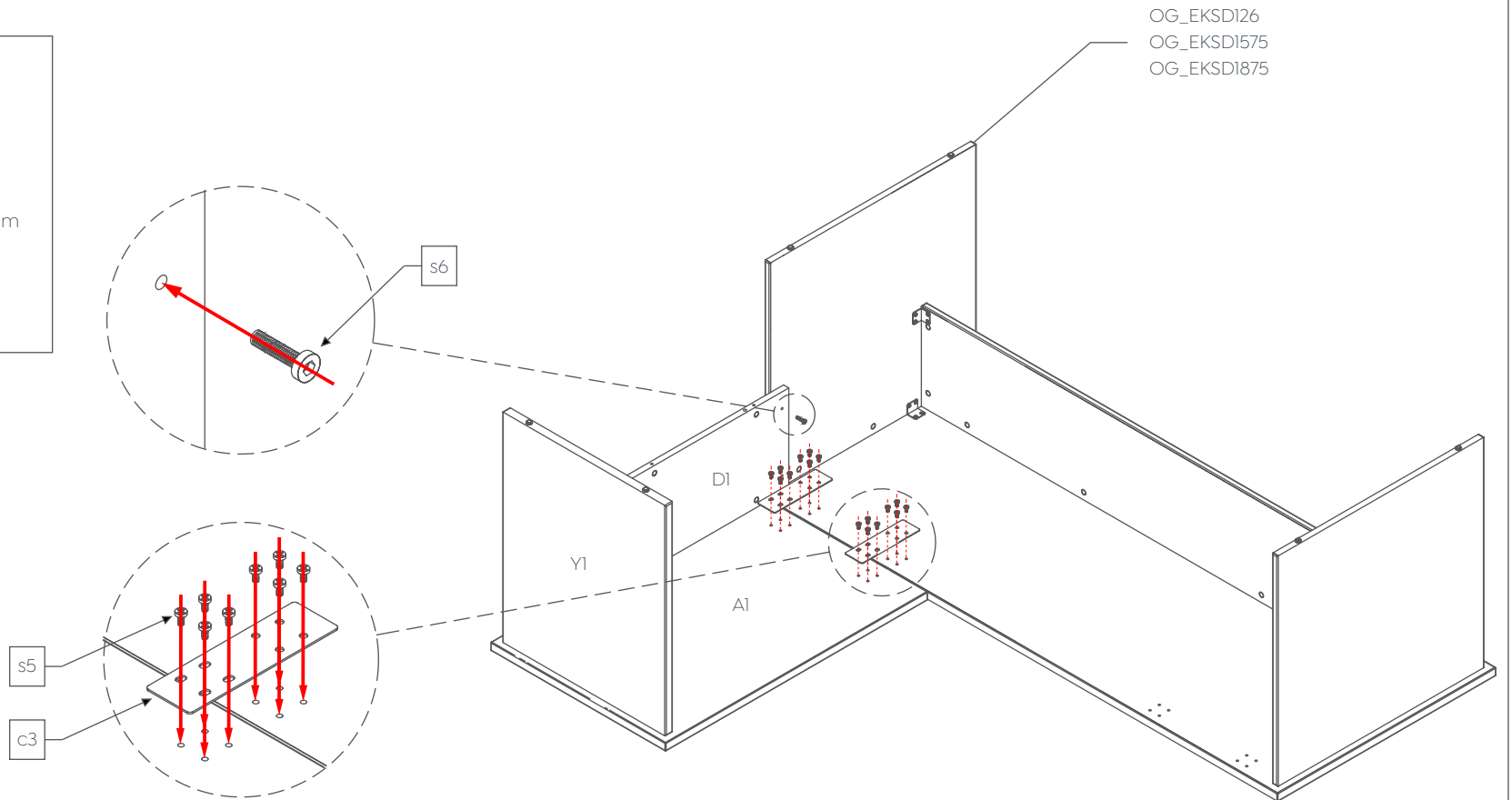
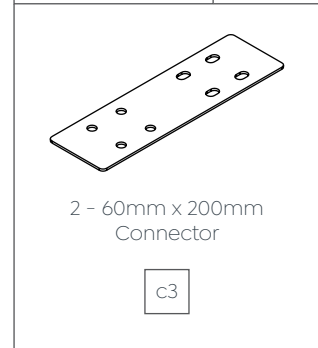
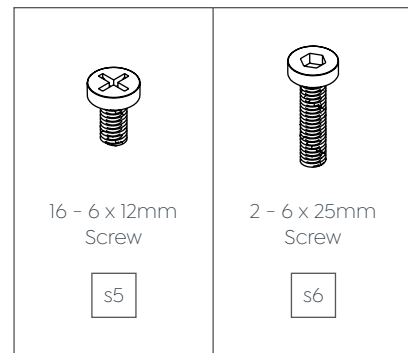
### STEP 4:



# EkoSystem 900 x 600mm Fixed Return

Assembly Instructions

## STEP 5:



# EkoSystem 900 x 600mm Fixed Return

Assembly Instructions

---

## STEP 6:

