



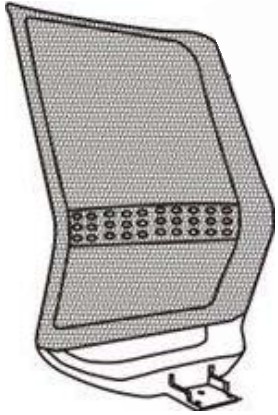
Motion Sync Chair

Assembly Instructions

Motion Sync Chair

Components List

1



Backrest

2



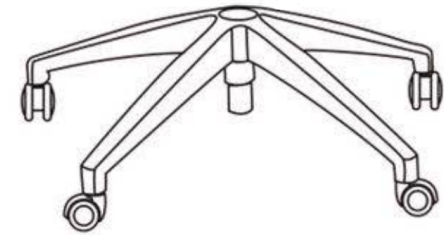
Seat

3



Gas lift cylinder

4



Castor base

5 M8 x 20



3 pcs

6 M8 Washer



3 pcs

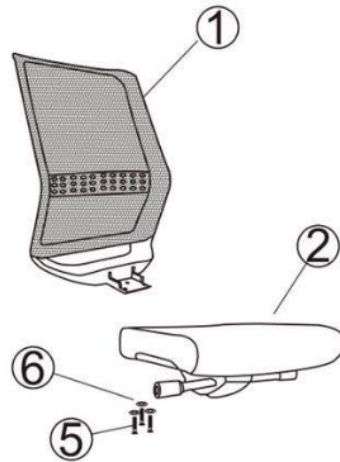


Allen Key

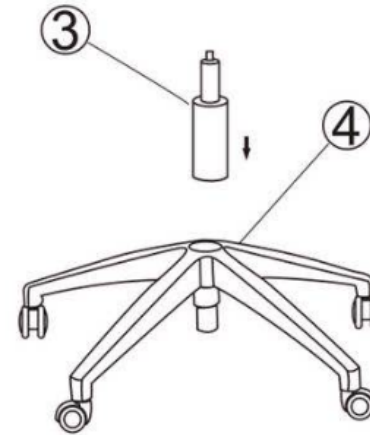
Motion Sync Chair

Assembly Instructions

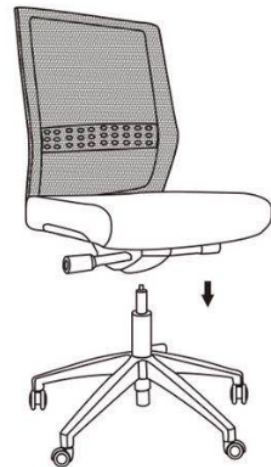
STEP 1:



STEP 2:



STEP 3:



COMPLETE:

