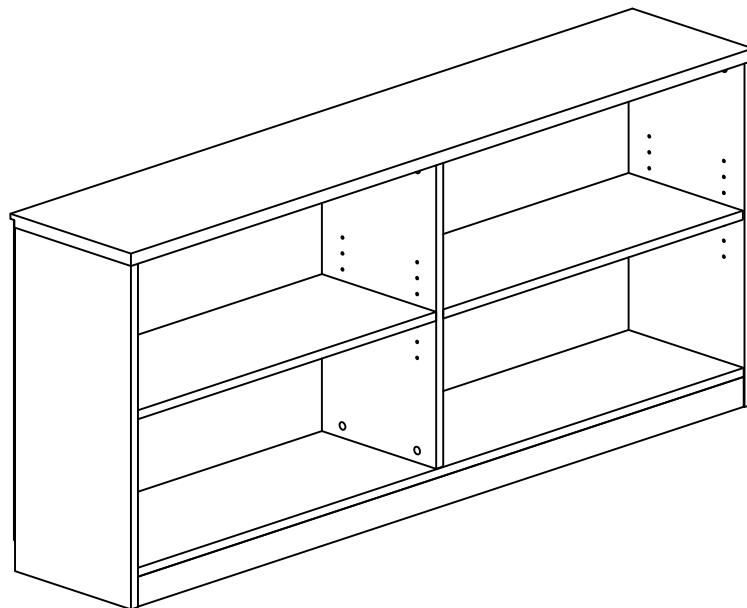
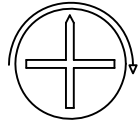

ASSEMBLY INSTRUCTION

Cupboard

ITEM NO. : OG-EKB167

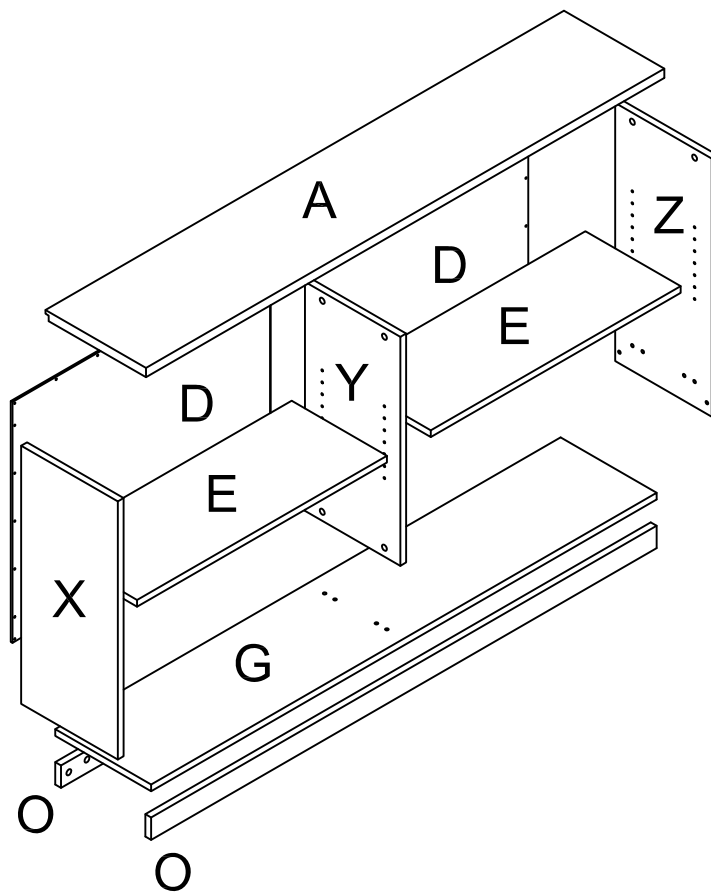




The turning direction of attaching



The arrow direction=front



PARTS LIST

ITEM	DESCRIPTION	QTY.	ITEM	DESCRIPTION	QTY.
A	Top panel	1	(C2)	(5/8") Cam Cover	24
X	Left side panel	1	(P1)	Threaded Dowel Pin	8
Z	Right side panel	1	(S1)	3.5*14 Screw	38
D	Back panel	2	(F1)	φ12 Foot nail	3
G	Bottom panel	1			
E	Moveable shelf	2			
Y	Partition	1			
O	Batten	2			



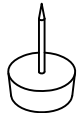
(C2) (5/8") Cam Cover-24



(P1) Threaded Dowel Pin-8

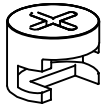


(S1) 3.5*14 Screw-38



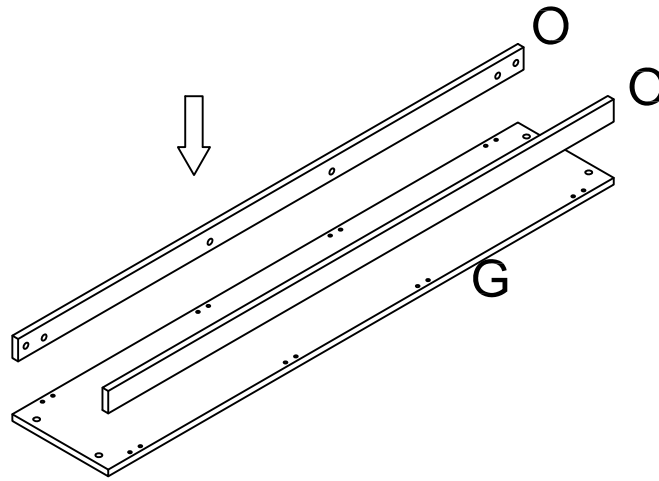
(F1) φ12 Foot nail-3

Pre-installed parts



(C5) Cam

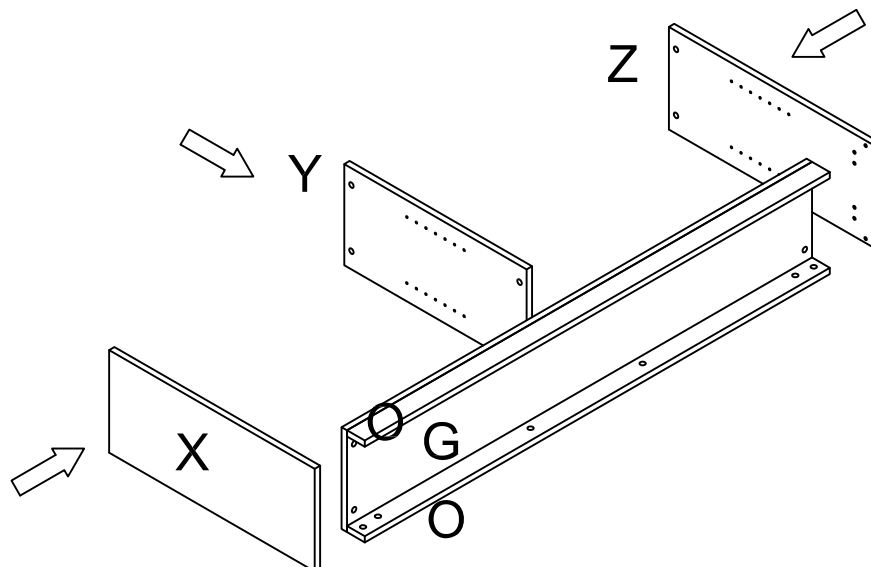
STEP 1



Preparation for Panels O and G.

1. Connect Cam bolts and dowels on panel O to the holes on panel G and tighten in a clockwise direction as illustrated above.

STEP 2

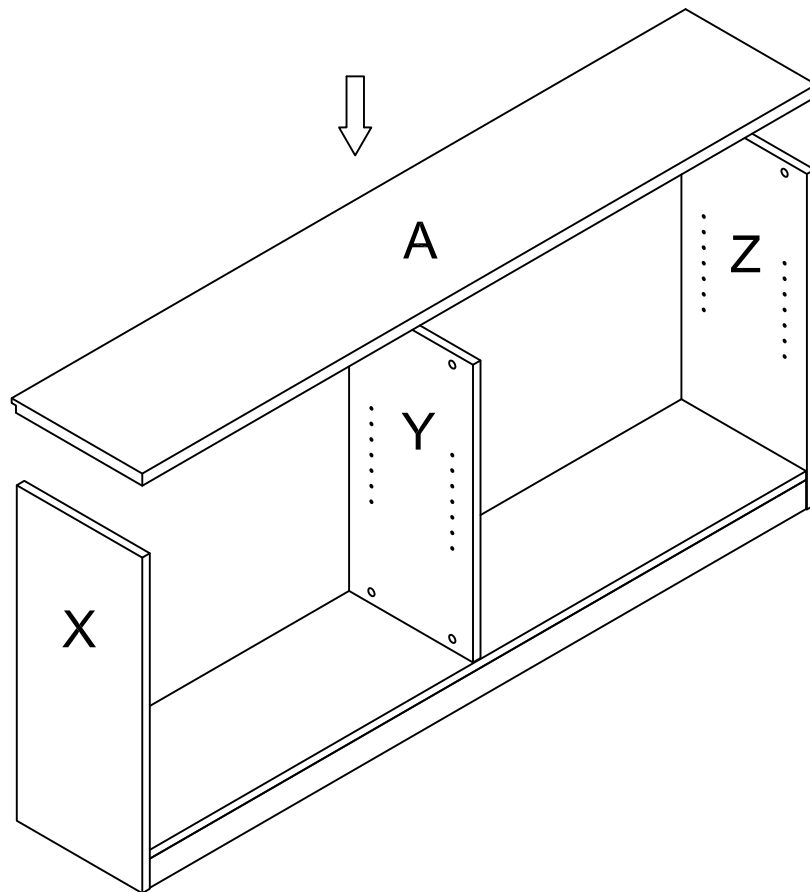


Preparation for Panels X,Z and Y.

1. Connect Cam bolts and dowels on panel Y to the holes on panel G and tighten in a clockwise direction as illustrated above.

2. Connect Cam bolts and dowels on panel O and G to the holes on panel X and Z and tighten in a clockwise direction as illustrated above.

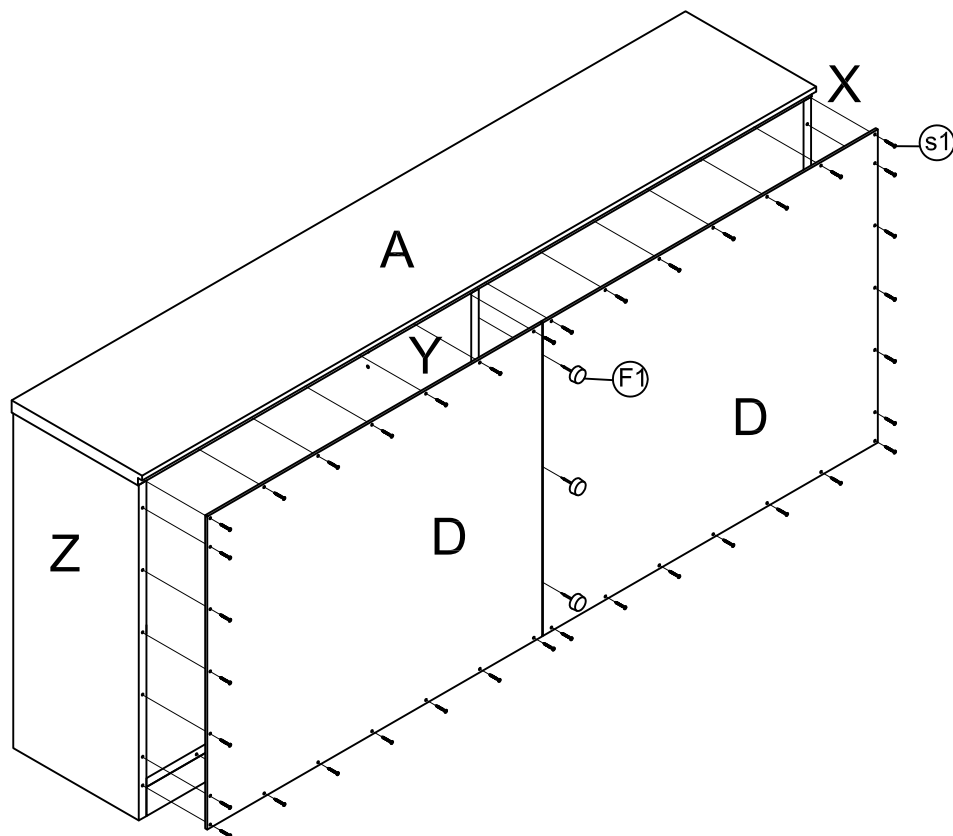
STEP 3



Preparation for Panels A.

1. Connect Cam bolts and dowels on panel X ,Z and Y to the holes on panel G and tighten in a clockwise direction as illustrated above.

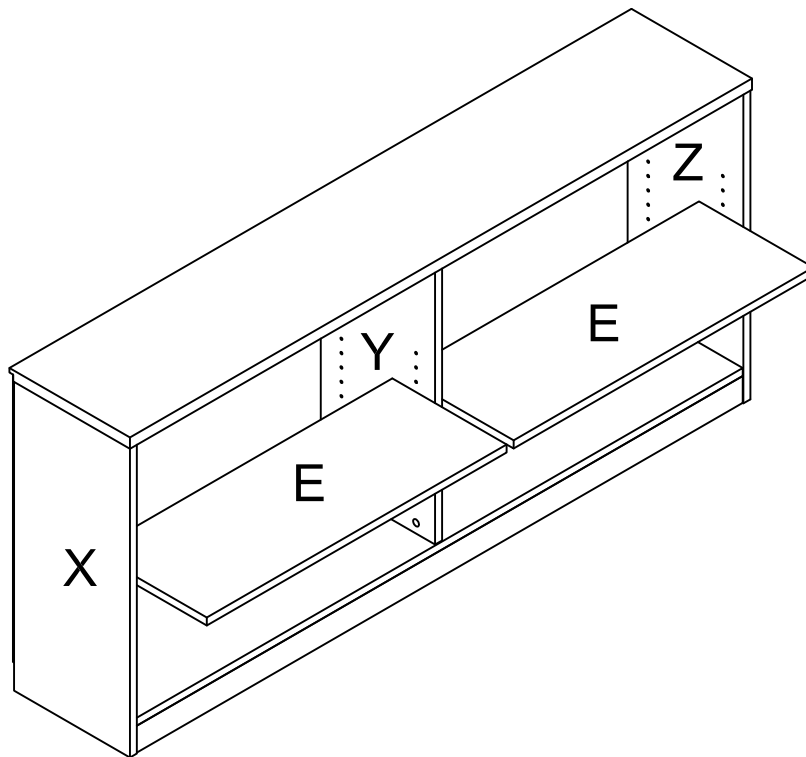
STEP 4



Preparation for Panels D.

1. Connect back panel D and panel X,Z,Y,G,A with screw (S1) as illustrated above.
2. Connect back panel D and panel Y with Foot nail (F1) as illustrated above.

STEP 5



Moveable shelf E assembly.

1. Insert threaded dowel pins (p1) into panels X ,Z and ZY as illustrated above.
2. Put the three panels E on the top of threaded dowel pins (p1) as illustrated above.

You have now successfully completed the assembly on item:

Cupboard

ITEM NO. : OG-EKB167

