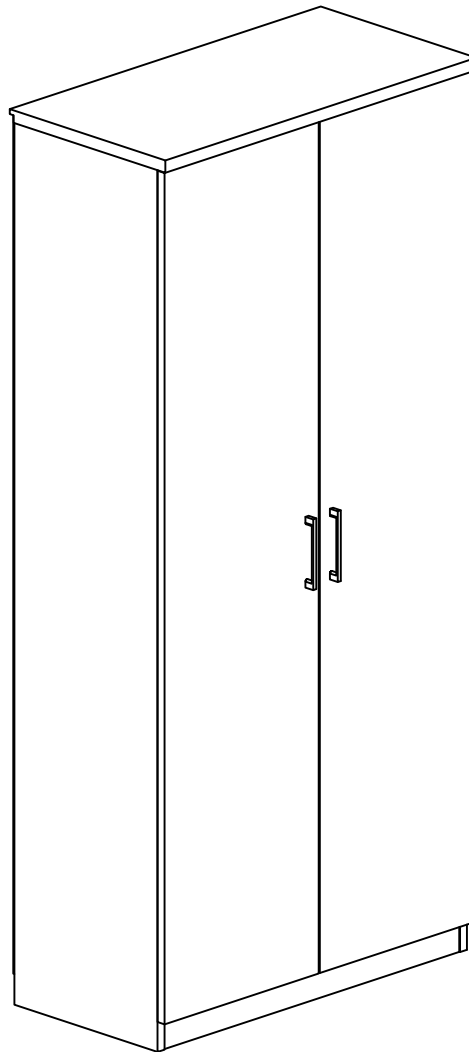


# ASSEMBLY INSTRUCTION

Cupboard

ITEM NO. : OG-EKC818

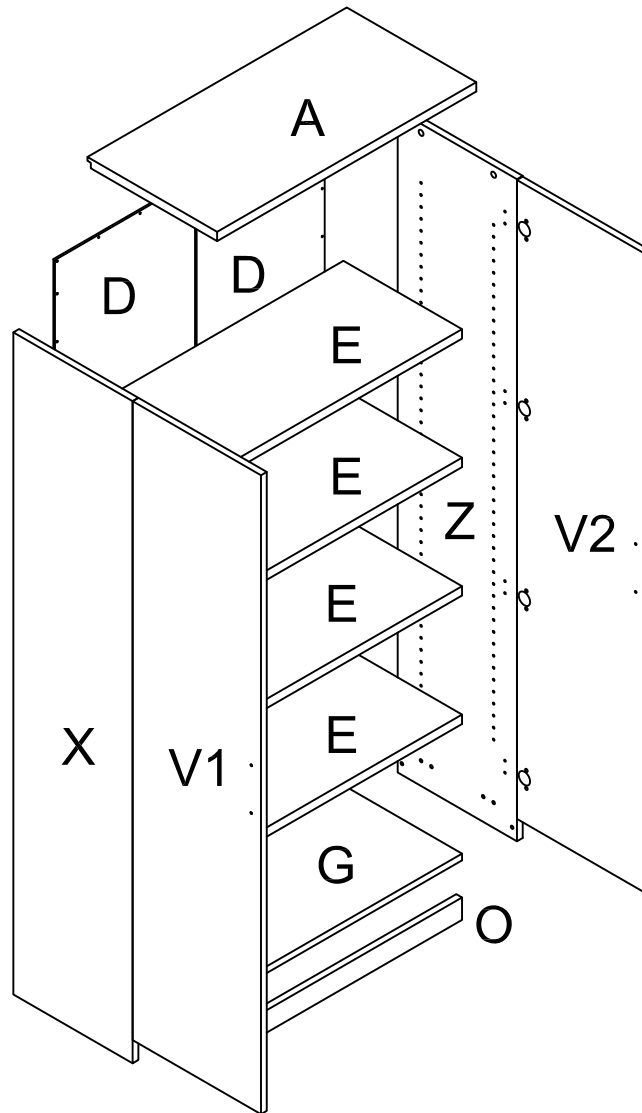




The turning direction of attaching



The arrow direction=front



# PARTS LIST

ITEM	DESCRIPTION	QTY.	ITEM	DESCRIPTION	QTY.
A	Top panel	1	(c2)	(5/8") Cam Cover	16
X	Left side panel	1	(p1)	Threaded Dowel Pin	16
Z	Right side panel	1	(s1)	3.5*14 Screw	42
D	Back panel	2	(b1)	Backing Strip	1
G	Bottom panel	1	(s2)	4*16 Screw	32
E	Moveable shelf	4	(s3)	4*22 Fix Bolt	4
O	Batten	2	(g4)	Hinge Body	8
V1	Door panel	1	(g1)	Hinge Stand	8
V2	Door panel	1	(h4)	Handle	2



(c2) (5/8") Cam Cover-16



(s1) 3.5\*14 Screw-42



(p1) Threaded Dowel Pin-16



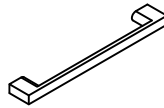
(b1) Backing Strip-1



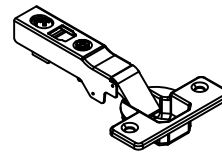
(s2) 4\*16 Screw-32



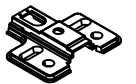
(s3) 4\*22 Fix Bolt-4



(h4) Handle-2

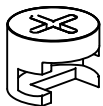


(g4) Hinge Body-8



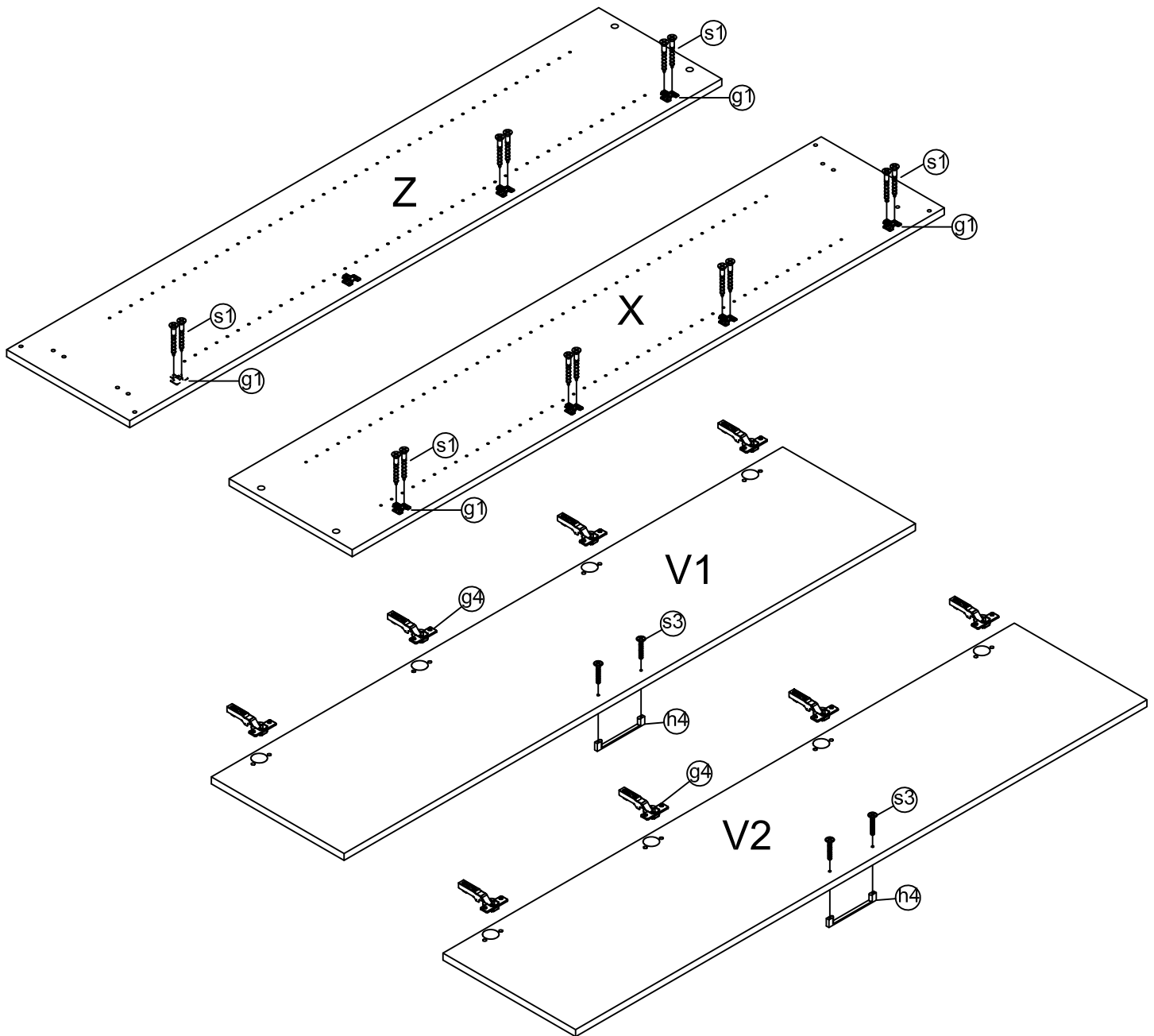
(g1) Hinge Stand-8

## Pre-installed parts



(c5) Cam

# STEP 1

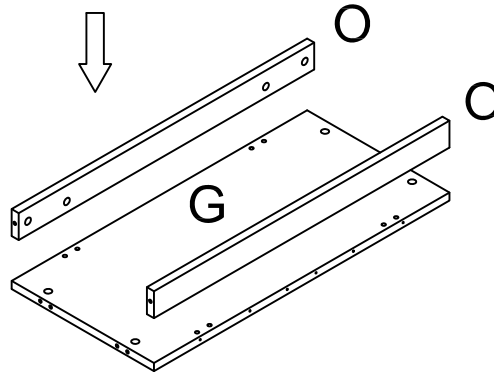


### Preparation for Panels X, Z, V1 and V2.

2. Fix hinge stands (g1) to panels X,Z with screws (s2) as illustrated above.
3. Press the hinge (g4) with pre-installed screws onto panel V1 and V2 perforations using a tool making sure is aligned before fitting
4. Fix handles (h4) to panels V1 and V2 with fix bolts (s3) as illustrated above.

## STEP 2

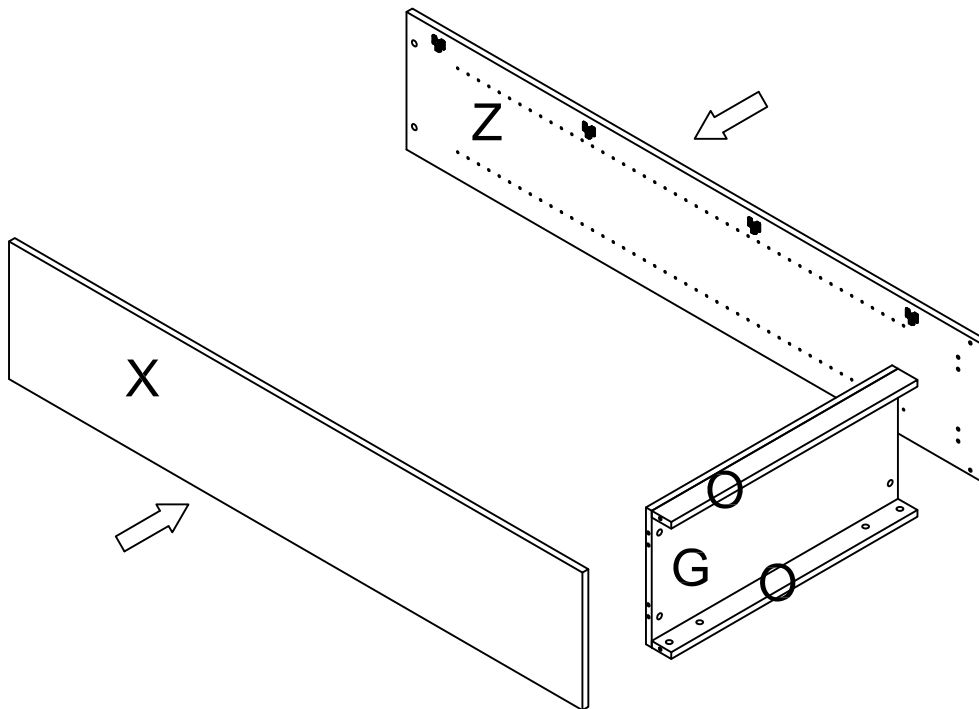
---



### Preparation for Panels O and G.

1. Connect Cam bolts and dowels on panel O to the holes on panel G and tighten in a clockwise direction as illustrated above.

## STEP 3

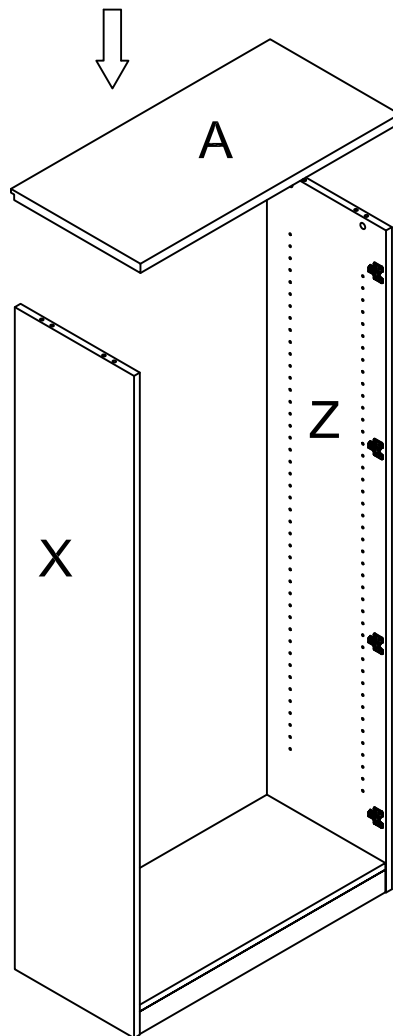


### Preparation for Panels X and Z.

1. Connect Cam bolts and dowels on panel O and G to the holes on panel X and Z and tighten in a clockwise direction as illustrated above.

## STEP 4

---

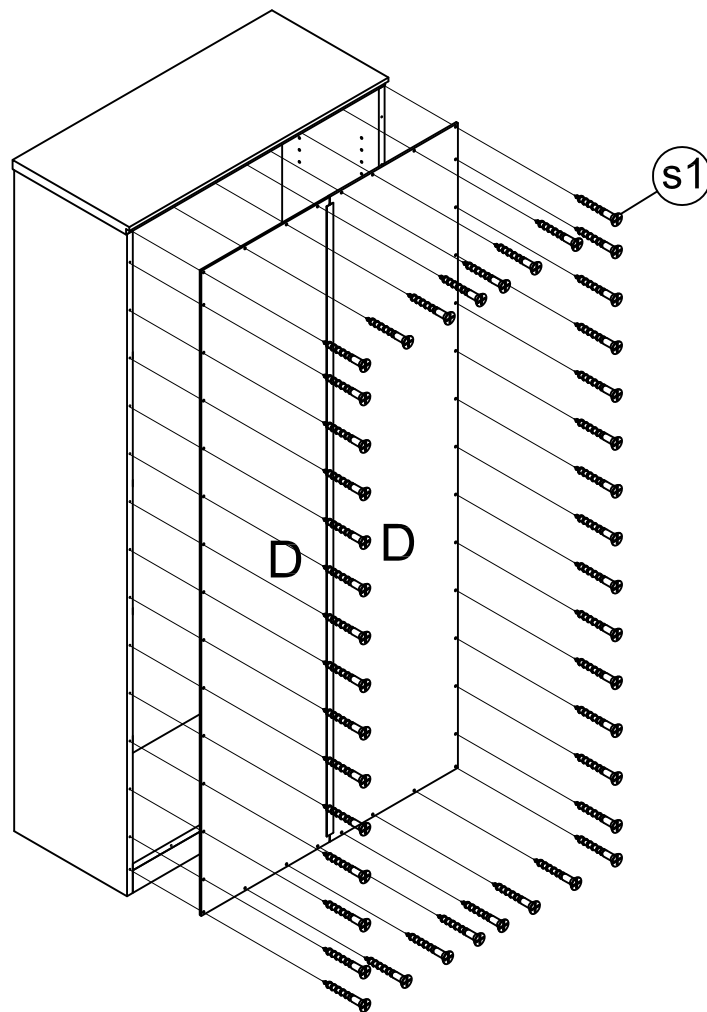


### **Preparation for Panels A.**

1. Connect Cam bolts and dowels on panel X and Z to the holes on panel A and tighten in a clockwise direction as illustrated above.

## STEP 5

---

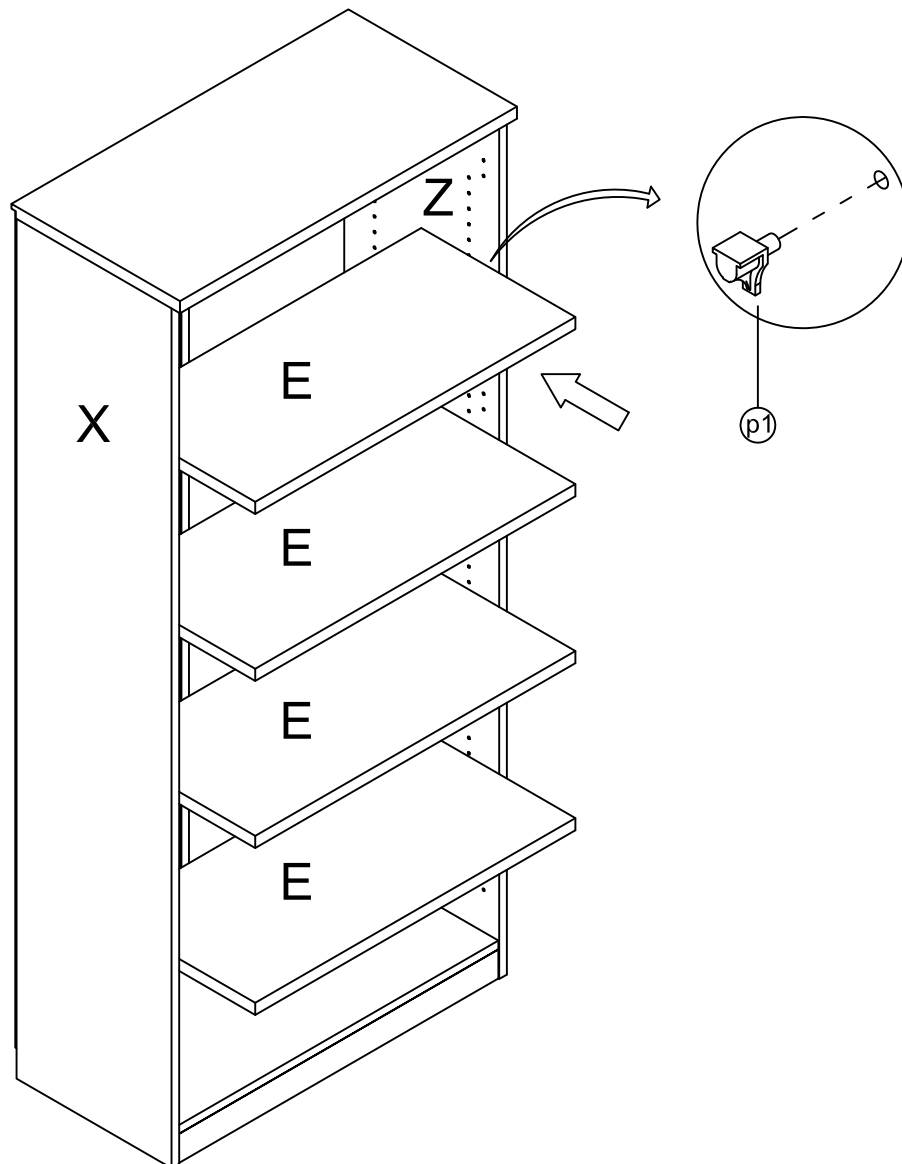


### **Bookcase back panel D assembly.**

1. Connect back panel D and panel X,Z,G,A with screw (s1) as illustrated above.

## STEP 6

---

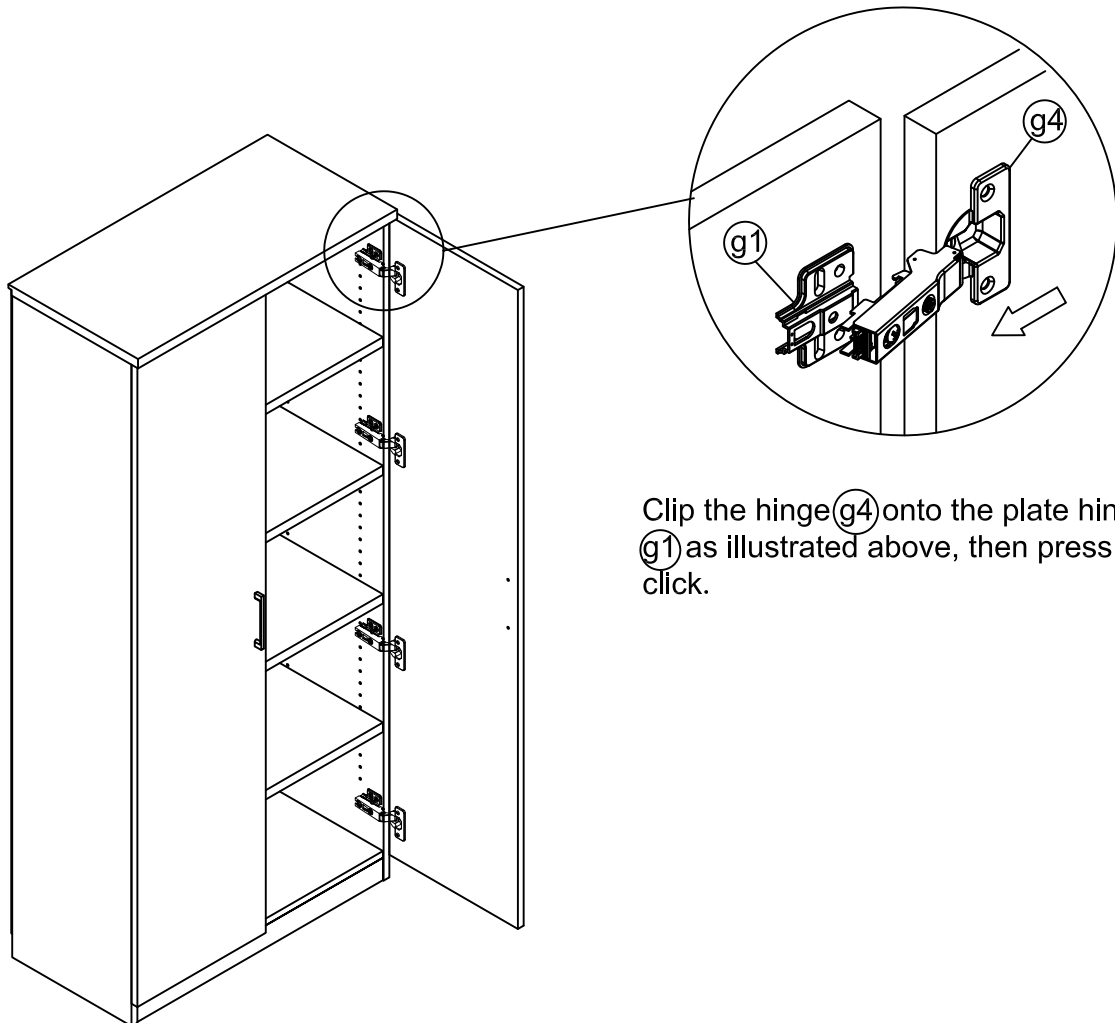


### **Moveable shelf E assembly.**

1. Insert threaded dowel pins (p1) into panels X ,D and Z as illustrated above.
2. Put the three panels E on the top of threaded dowel pins (p1) as illustrated above.



**STEP 7**



Clip the hinge (g4) onto the plate hinge (g1) as illustrated above, then press to click.

**Door Panel V1 and V2 assembly**

**Hinge assembly detail as below**

<p><b>1</b></p>	<p><b>2</b></p>	<p><b>3</b></p>
<p>Fix the screws (s2) into the predrilled hole shown above, and then adjust the door panel upward and downward to the right location.</p>	<p>Fix the rest 2 pcs screws (s2) to the panel to consolidate the hinge shown above</p>	<p>Loosen the screw @ to adjust the forward and backward of the door panel to the right location, and then tighten the screw @.</p>

You have now successfully completed the assembly on item:

Cupboard

ITEM NO. : OG-EKC818

