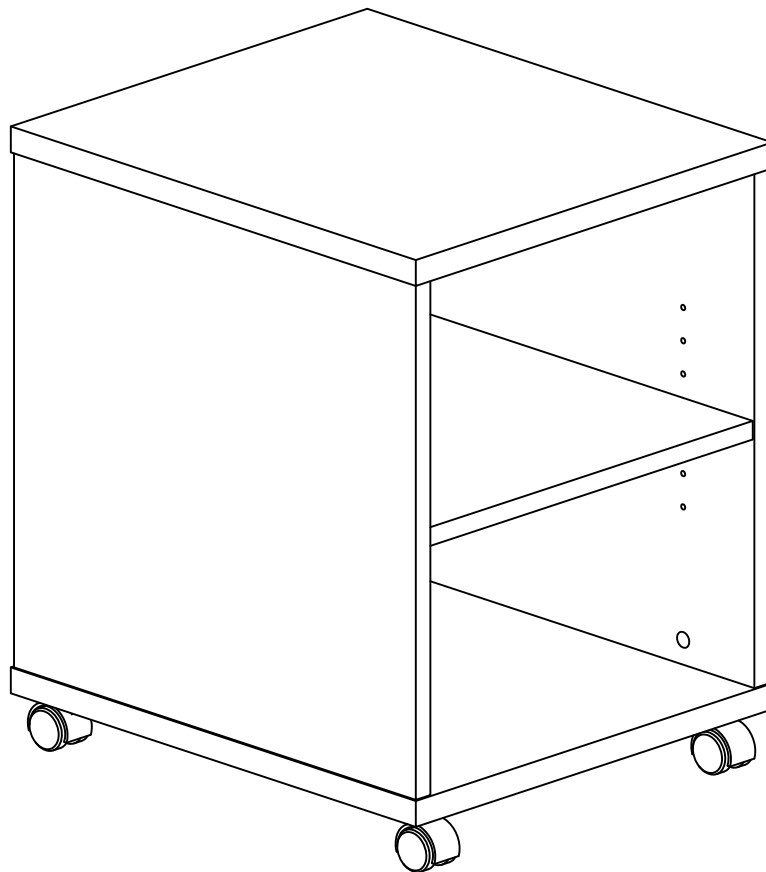
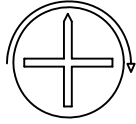

ASSEMBLY INSTRUCTION

Cupboard

ITEM NO. : OG-EKMB

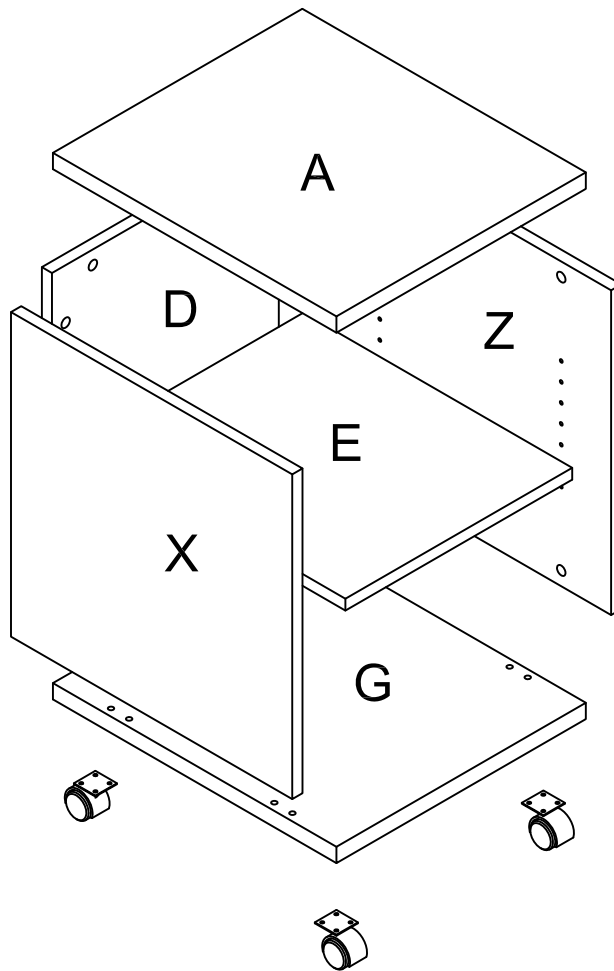




The turning direction of attaching



The arrow direction=front



PARTS LIST

ITEM	DESCRIPTION	QTY.	ITEM	DESCRIPTION	QTY.
A	Top panel	1	(c2)	(5/8") Cam Cover	16
X	Left side panel	1	(c3)	Castor	4
Z	Right side panel	1	(s1)	3.5*14 Screw	16
D	Back panel	1	(p1)	Threaded Dowel Pin	4
G	Bottom panel	1			
E	Moveable shelf	1			



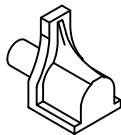
(c2) (5/8") Cam Cover-16



(c3) Castor-4

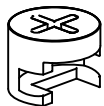


(s1) 4*16 Screw-16



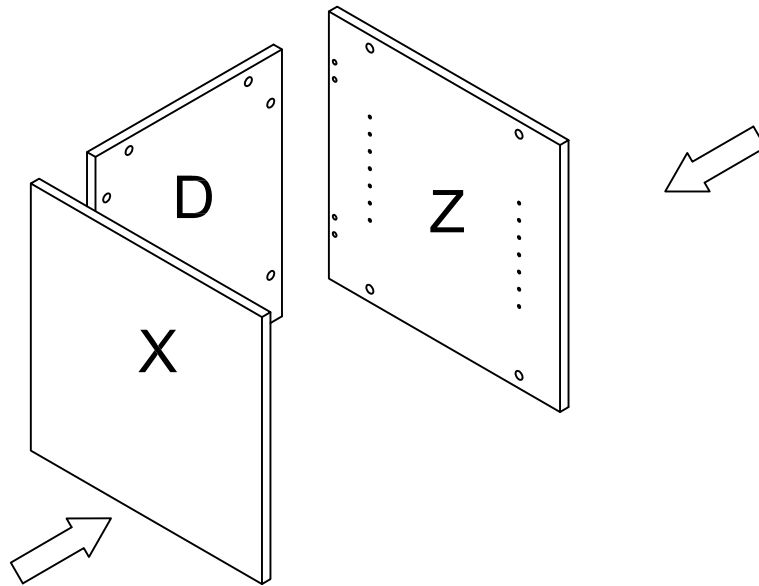
(p1) Threaded Dowel Pin-4

Pre-installed parts



(c5) Cam

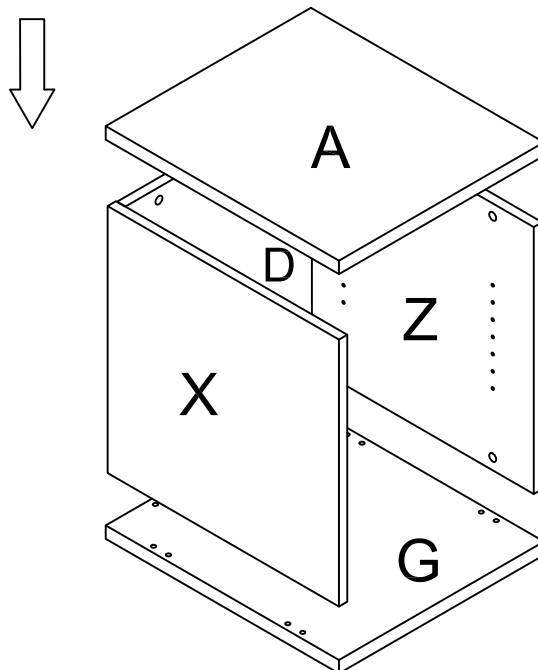
STEP 1



Preparation for Panels X,Z and D.

1.Connect Cam bolts and dowels on panel D to the holes on panel X and Z and tighten in a clockwise direction as illustrated above.

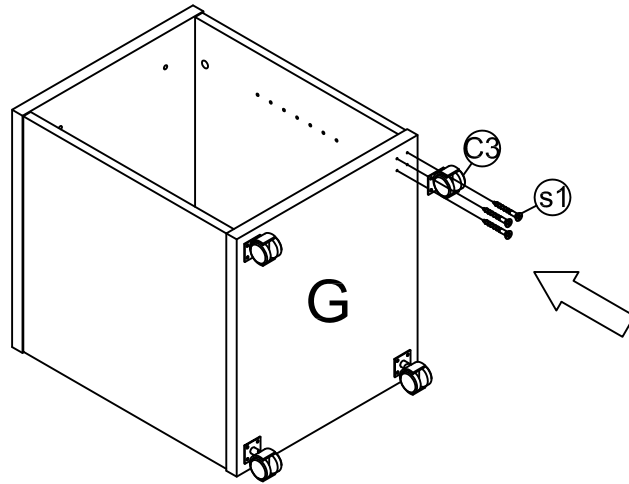
STEP 2



Preparation for Panels A and G.

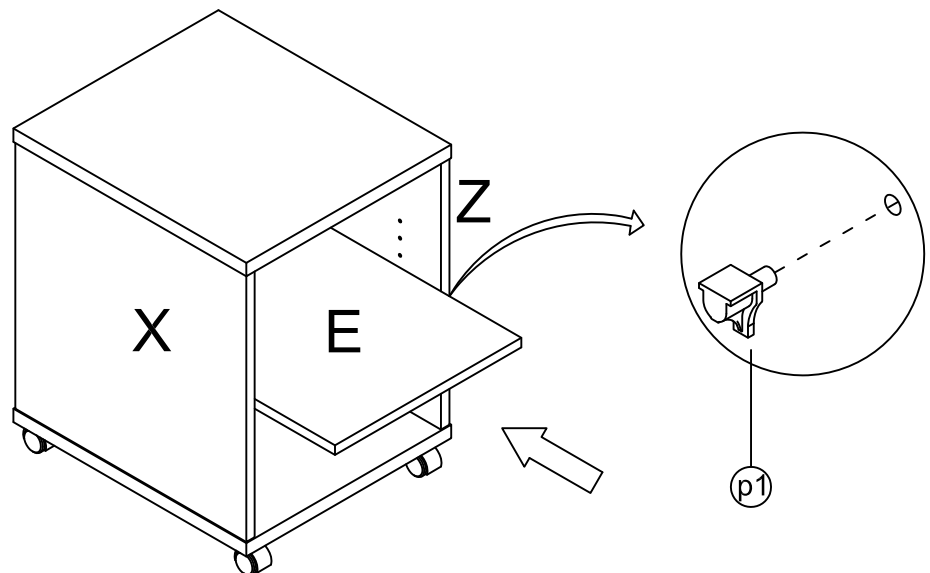
1.Connect Cam bolts and dowels on panel X ,Z and D to the holes on panel A and G and tighten in a clockwise direction as illustrated above.

STEP 3



1. Assemble Castor (C3) with screws (S1) on bottom panel G as illustrated above.

STEP 4



Moveable shelf E assembly.

1. Insert threaded dowel pins (p1) into panels X and Z as illustrated above.
2. Put the three panels E on the top of threaded dowel pins (p1) as illustrated above.

You have now successfully completed the assembly on item:

Cupboard

ITEM NO. : OG-EKMB

