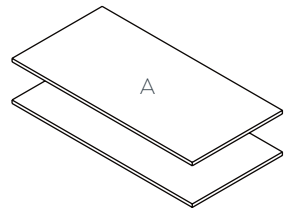


Plantation 2-User Desk

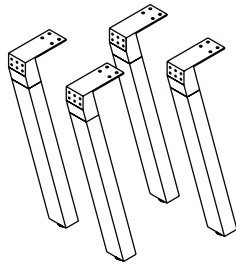
Assembly Instructions

Plantation 2-User Desk

Components List

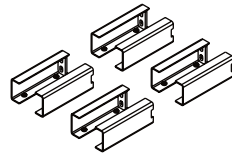


2 x Axis Worktop



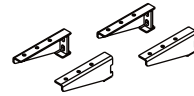
4 x Meeting Table Legs
75° Angle

EL



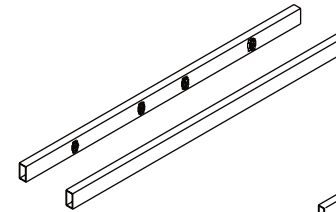
2 x Pair AXKDSPIGE

B



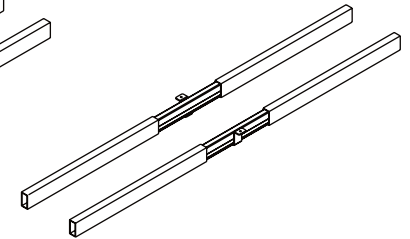
2 x Pair AXKDBRAC

C



2 x Straight Spreader Bar
to suit Straight Legs

SB



2 x Extendable Desk Rail

R



24 x M6 - 20mm



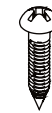
24 x M8 - 16mm



16 x ST8 - 23mm

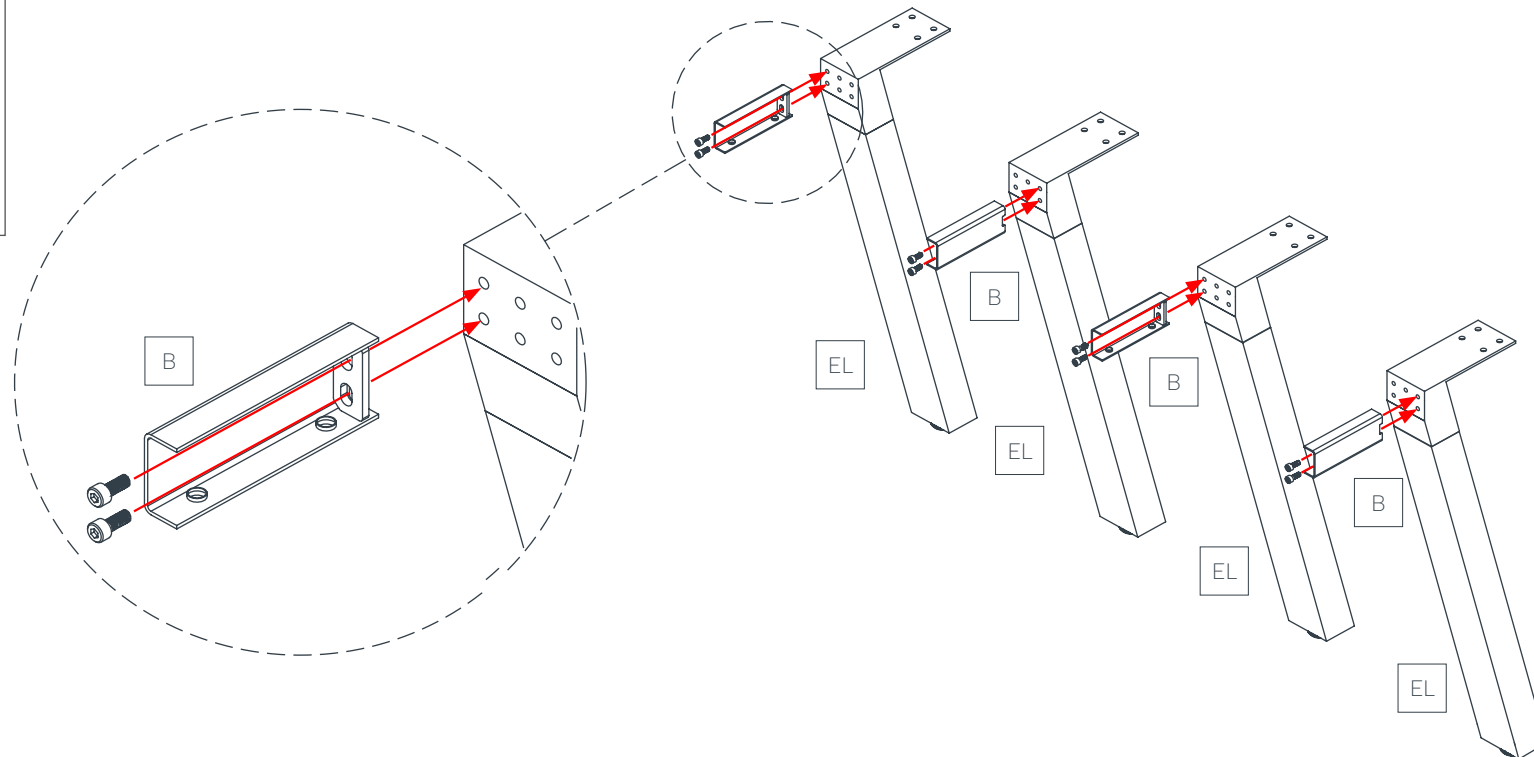
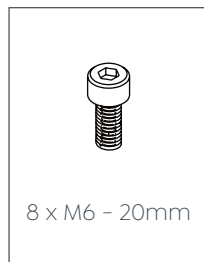


12 x ST6 - 23mm



2 x ST5 - 23mm

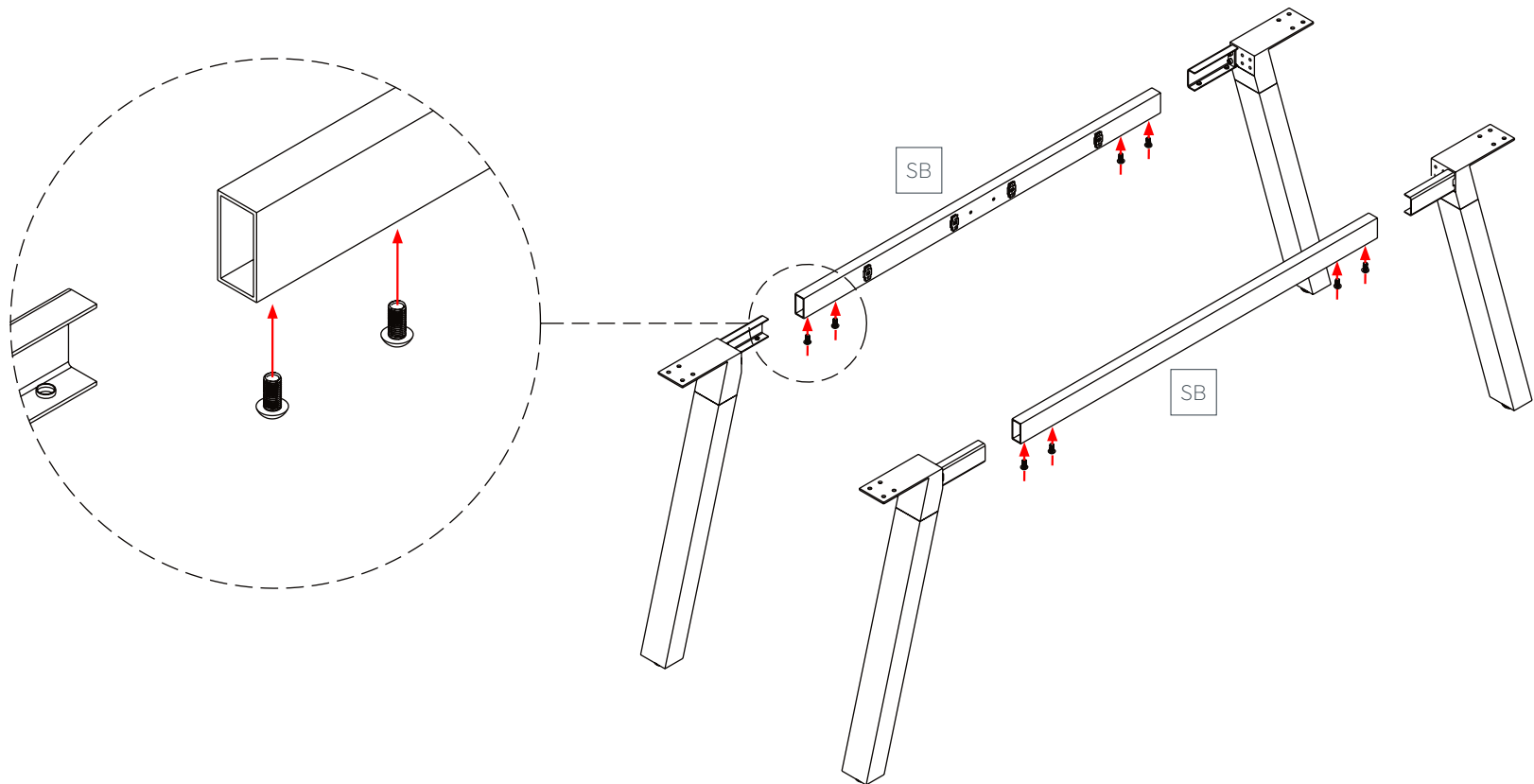
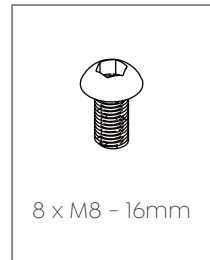
STEP 1:



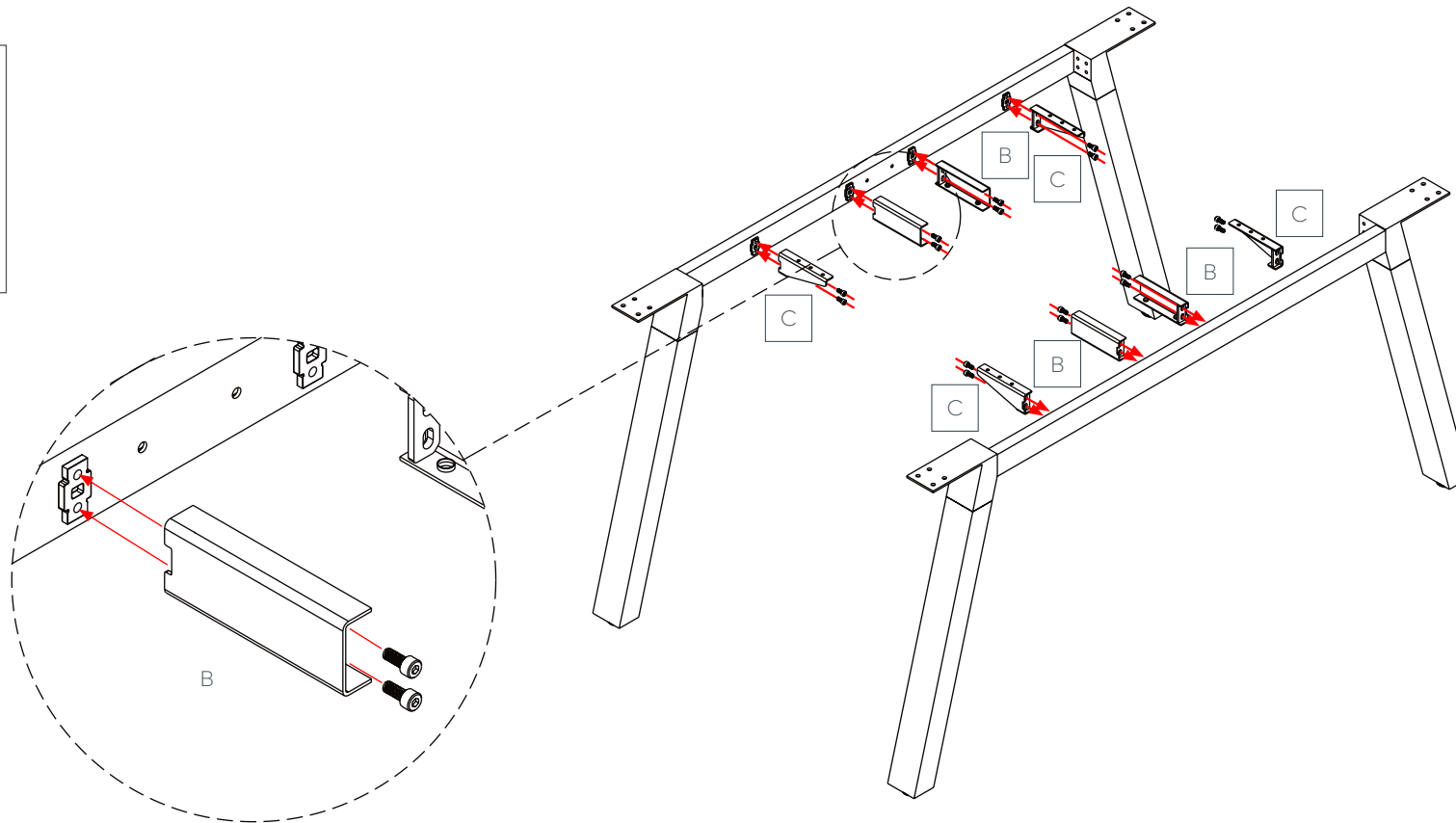
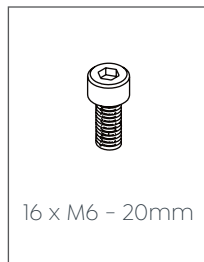
Plantation 2-User Desk

Assembly Instructions

STEP 2:



STEP 3:



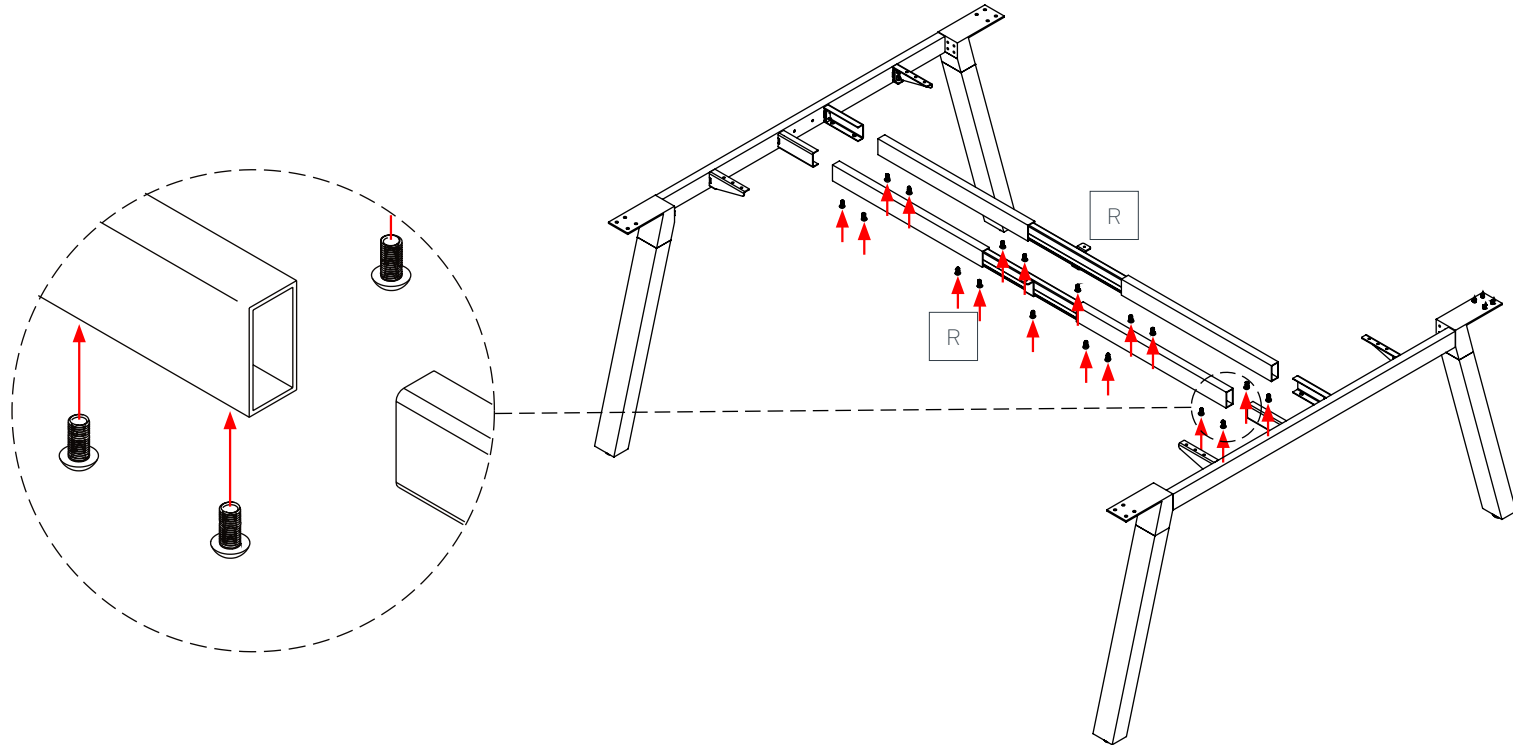
Plantation 2-User Desk

Assembly Instructions

STEP 4:



16 x M8 - 16mm



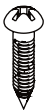
STEP 5:



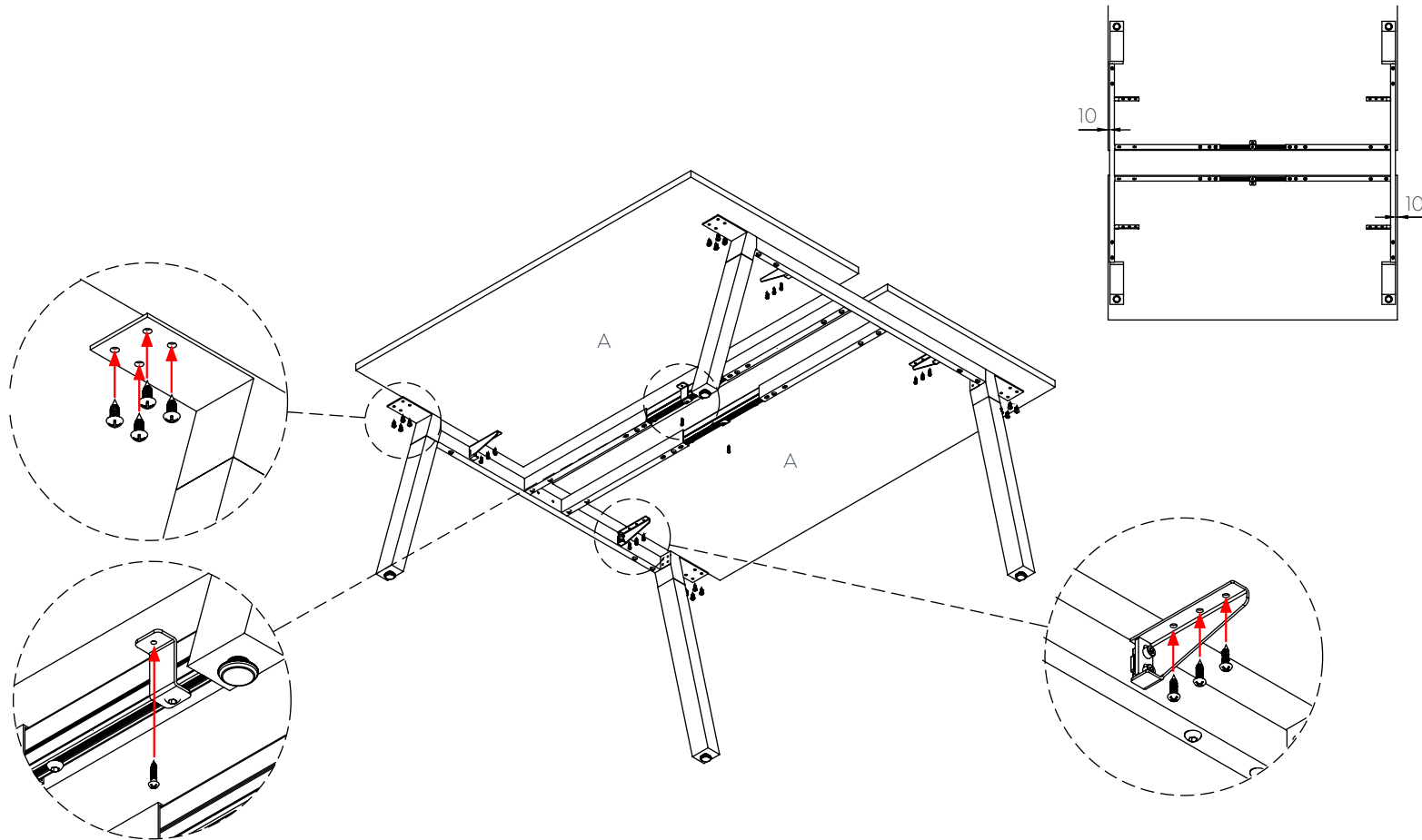
16 x ST8 - 23mm



12 x ST6 - 23mm



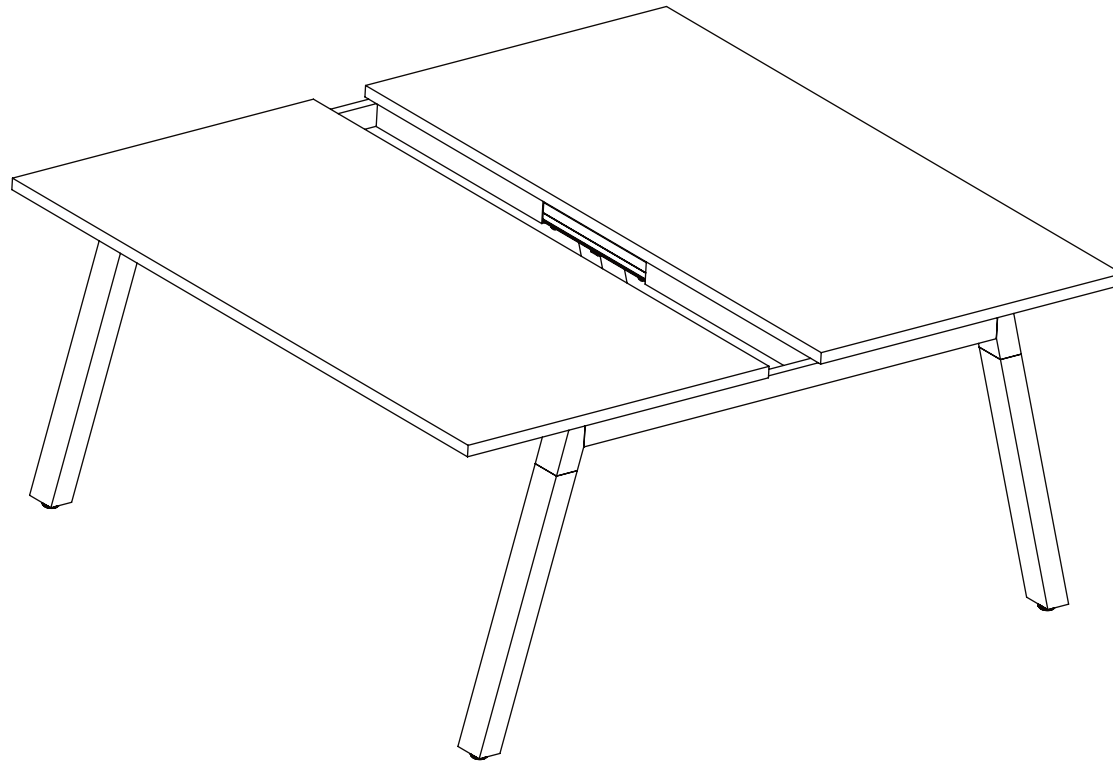
2 x ST5 - 23mm



Plantation 2-User Desk

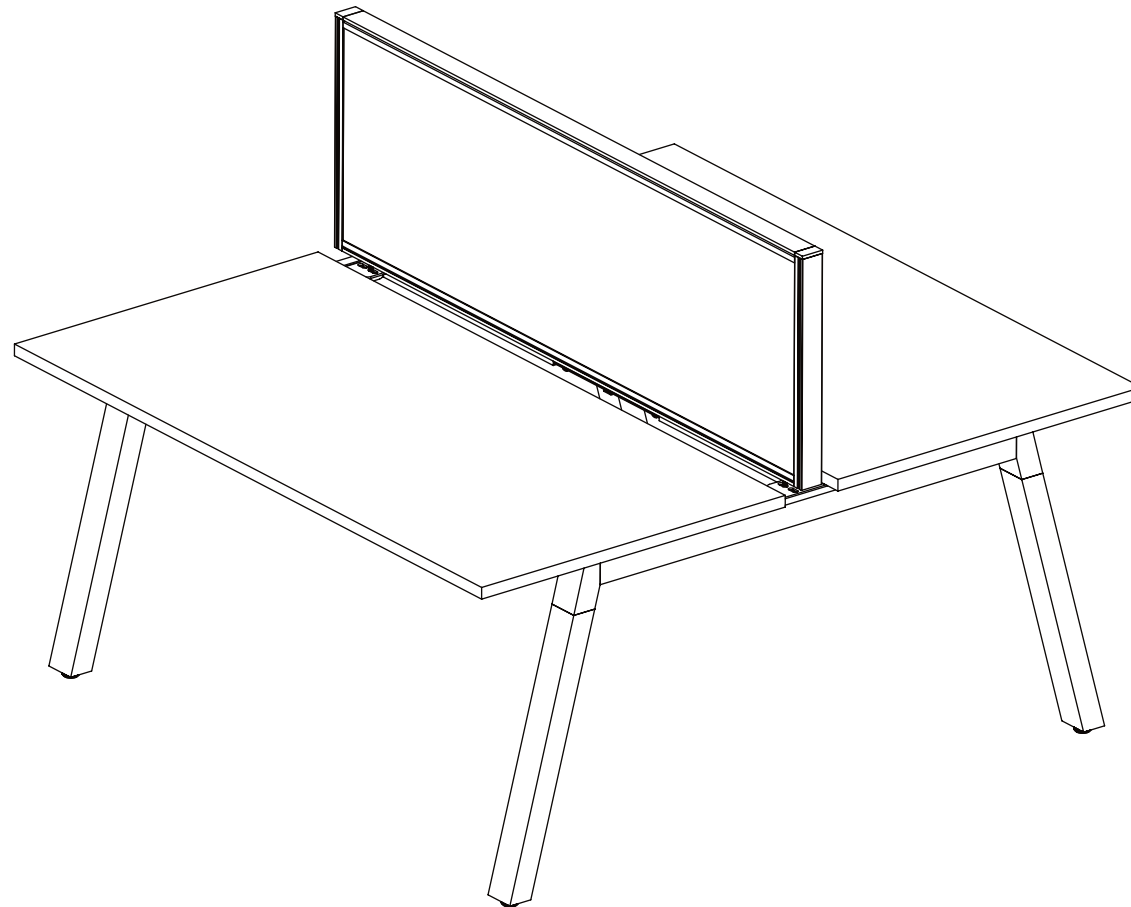
Assembly Instructions

Complete:



Optional Studio50 Screen

Assembly Instructions

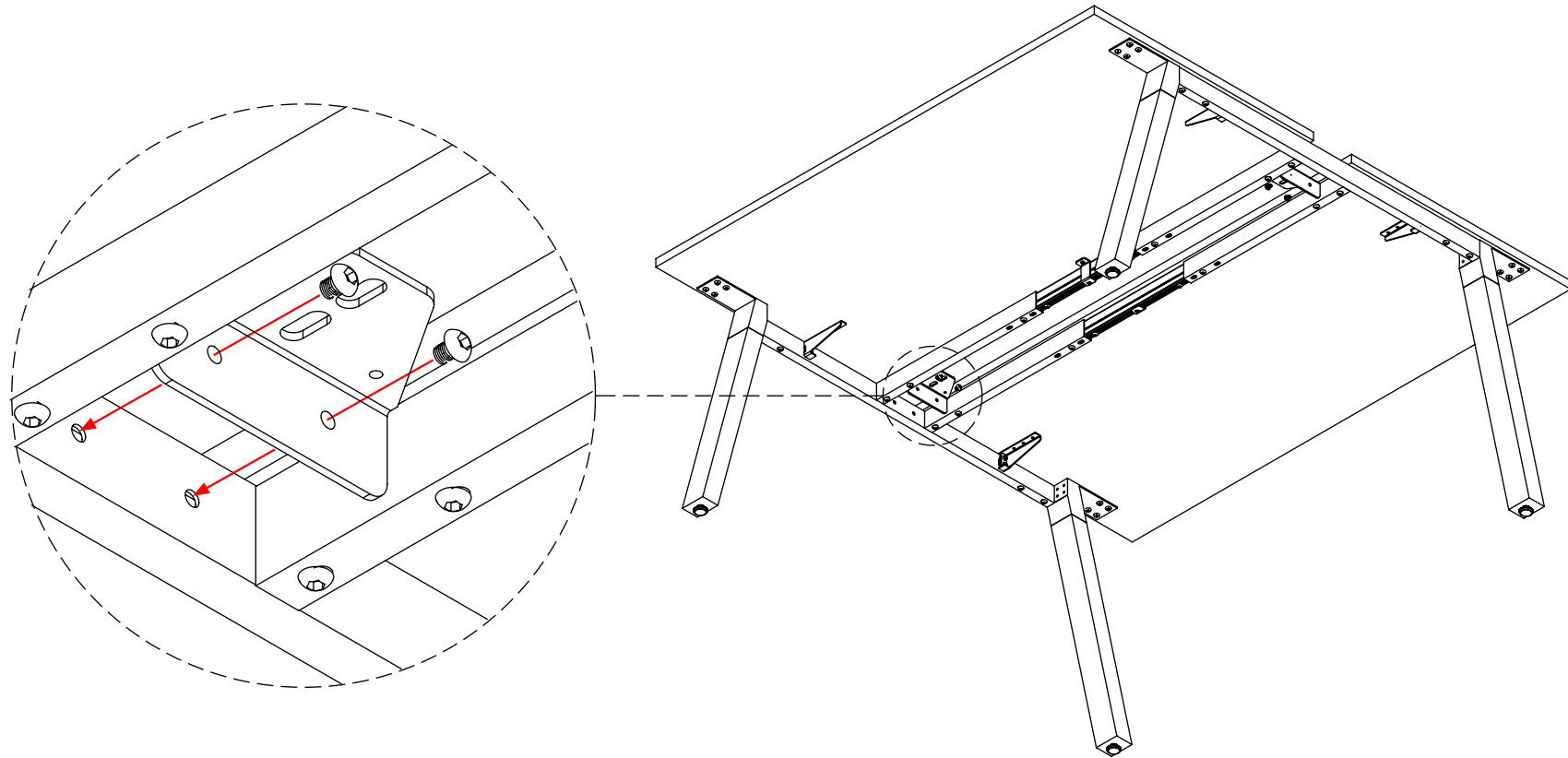


Studio50
Screens are
Australian
Made.

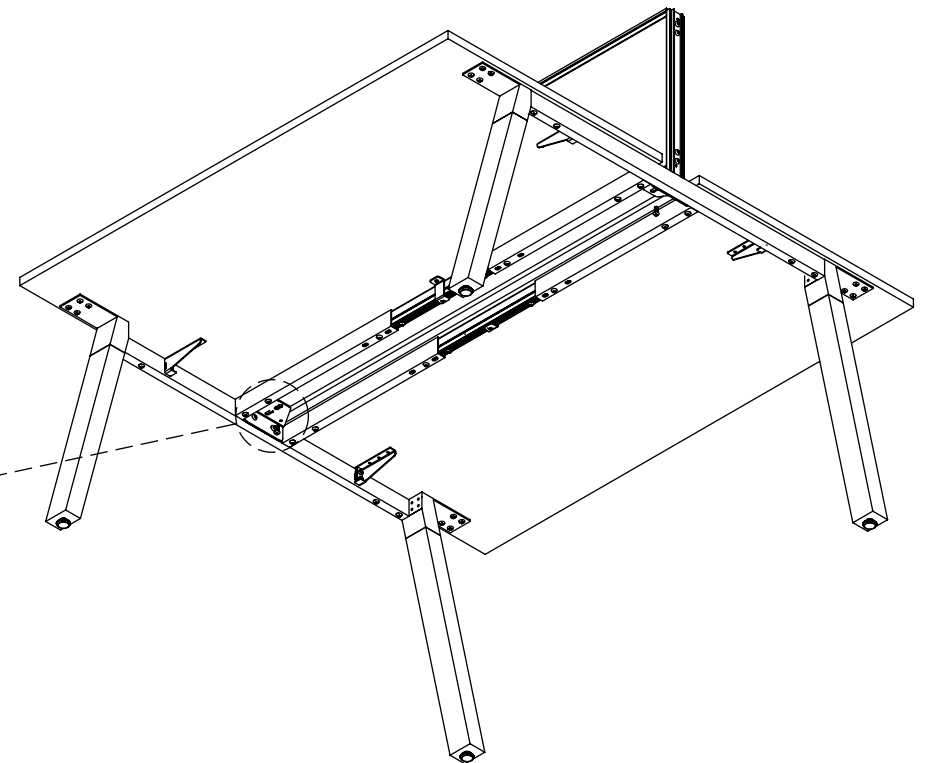
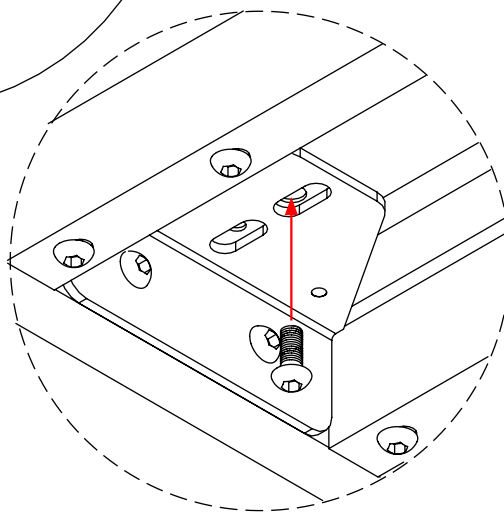
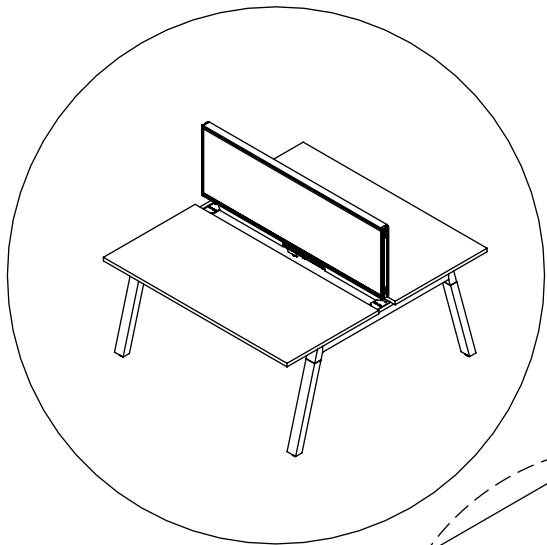
Optional Studio50 Screen

Assembly Instructions

STEP 1:



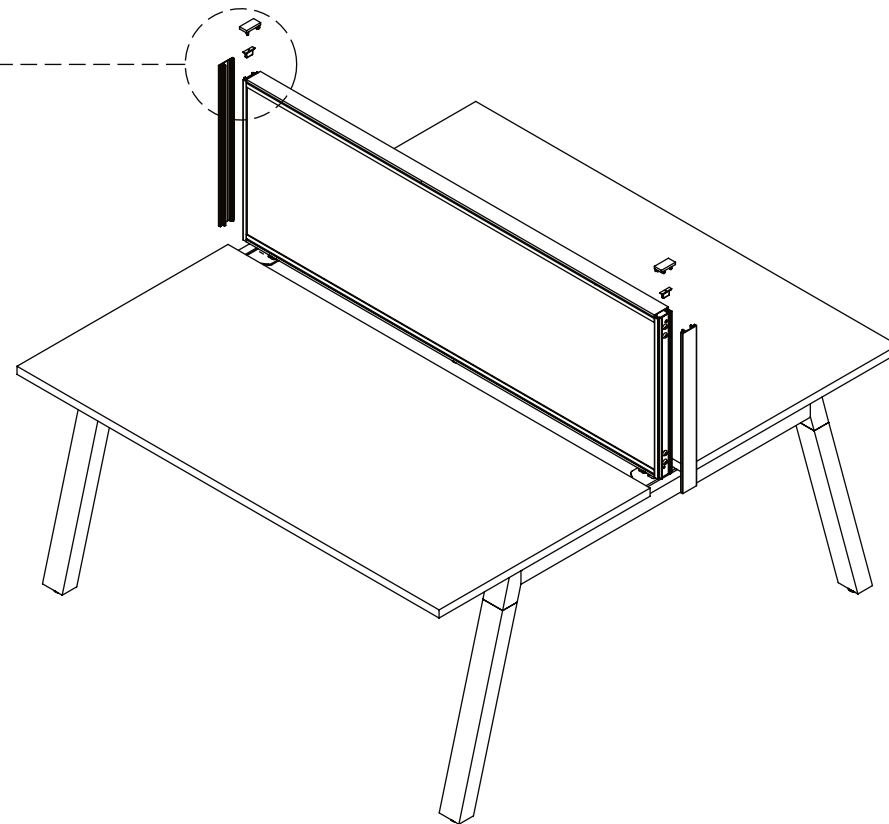
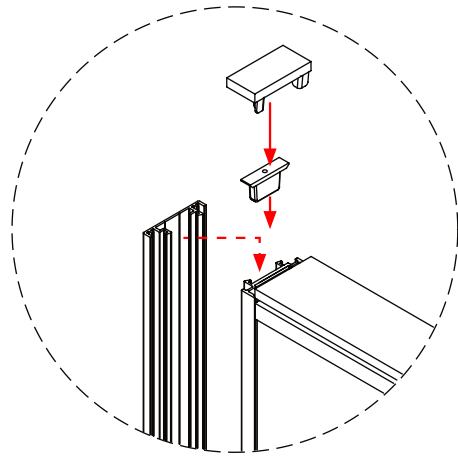
STEP 2:



Optional Studio50 Screen

Assembly Instructions

STEP 3:



Complete:

