

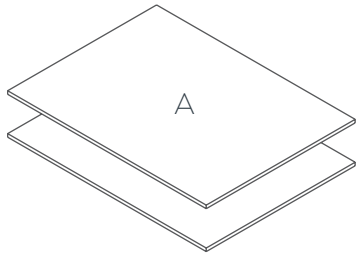
---

## Plantation 6 - Leg Meeting Table

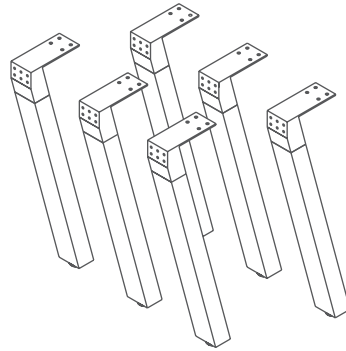
Assembly Instructions

# Plantation 6 - Leg Meeting Table

## Components List

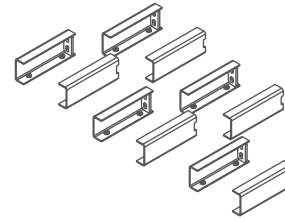


2 x Axis Worktop



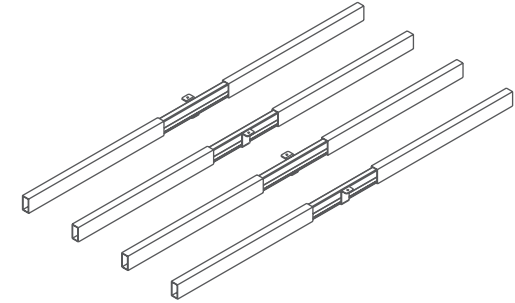
6 x Meeting Table Legs 75° Angle

EL



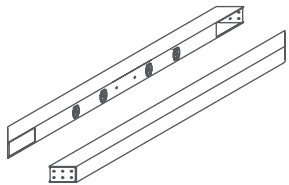
5 x Pair AXKDSPIGE

B



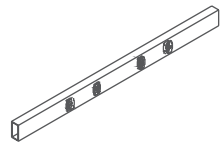
4 x Extendable Desk Rail

R



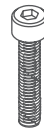
2 x Spreader Bars to Suit Splay Legs

SB



1 x Double Sided Spreader Bar to suit Straight Middle Legs

DB



8 x M6 - 30mm



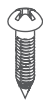
24 x M6 - 20mm



40 x M8 - 16mm



24 x ST8 - 23mm

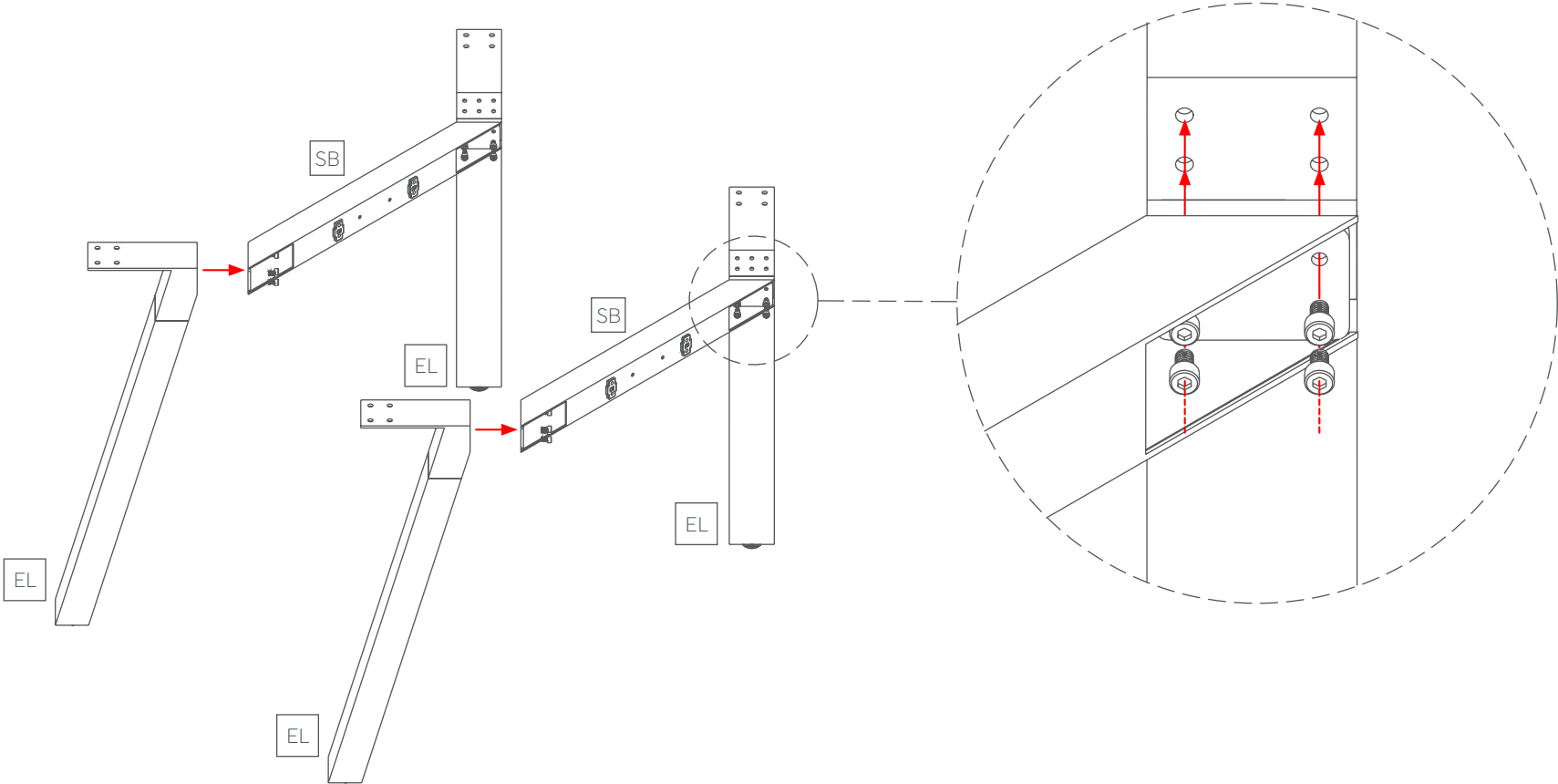


4 x ST5 - 23mm

# Plantation 6 - Leg Meeting Table

Assembly Instructions

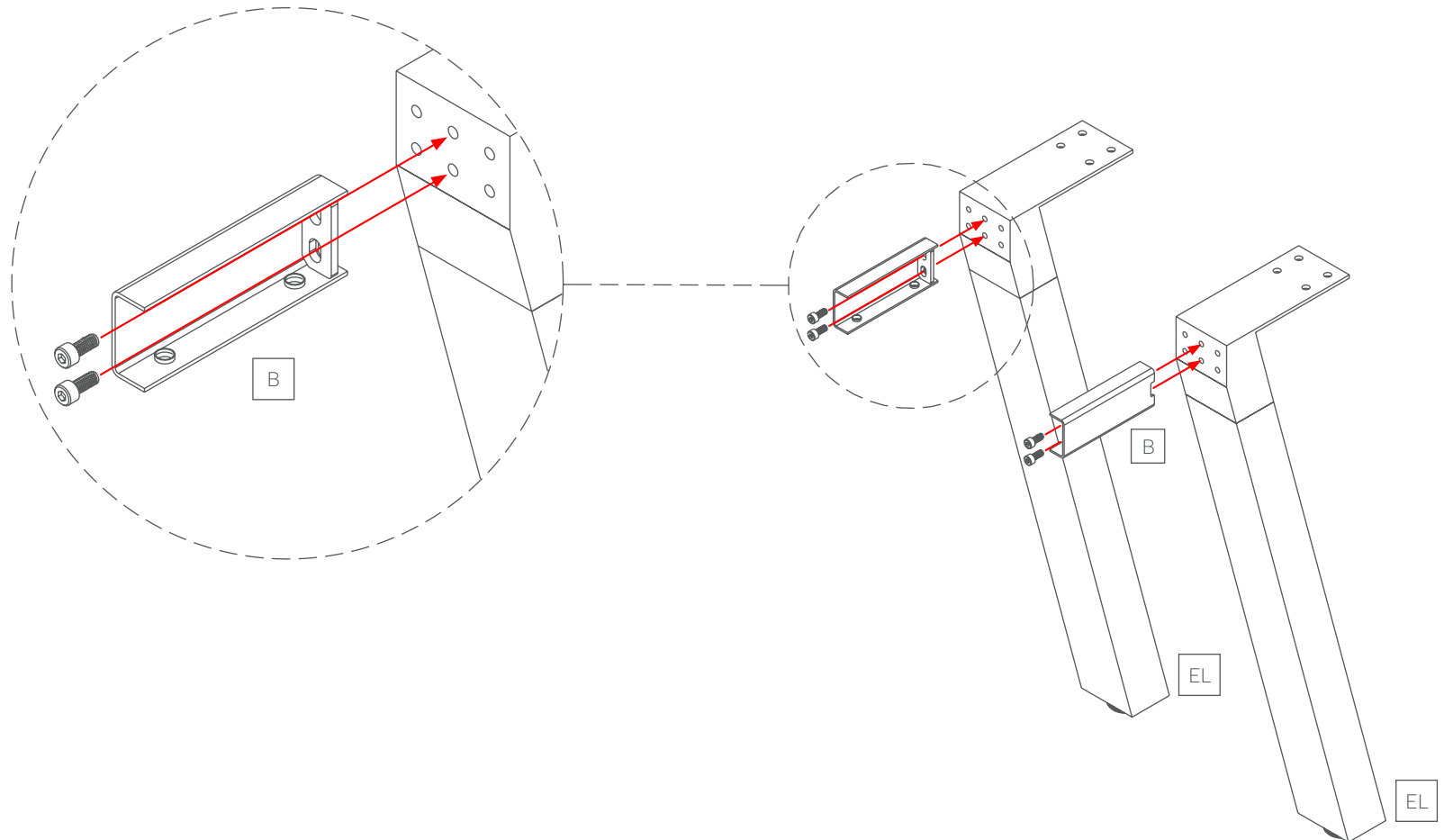
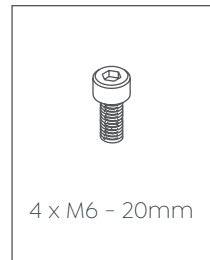
## STEP 1:



# Plantation 6 - Leg Meeting Table

## Assembly Instructions

### STEP 2:

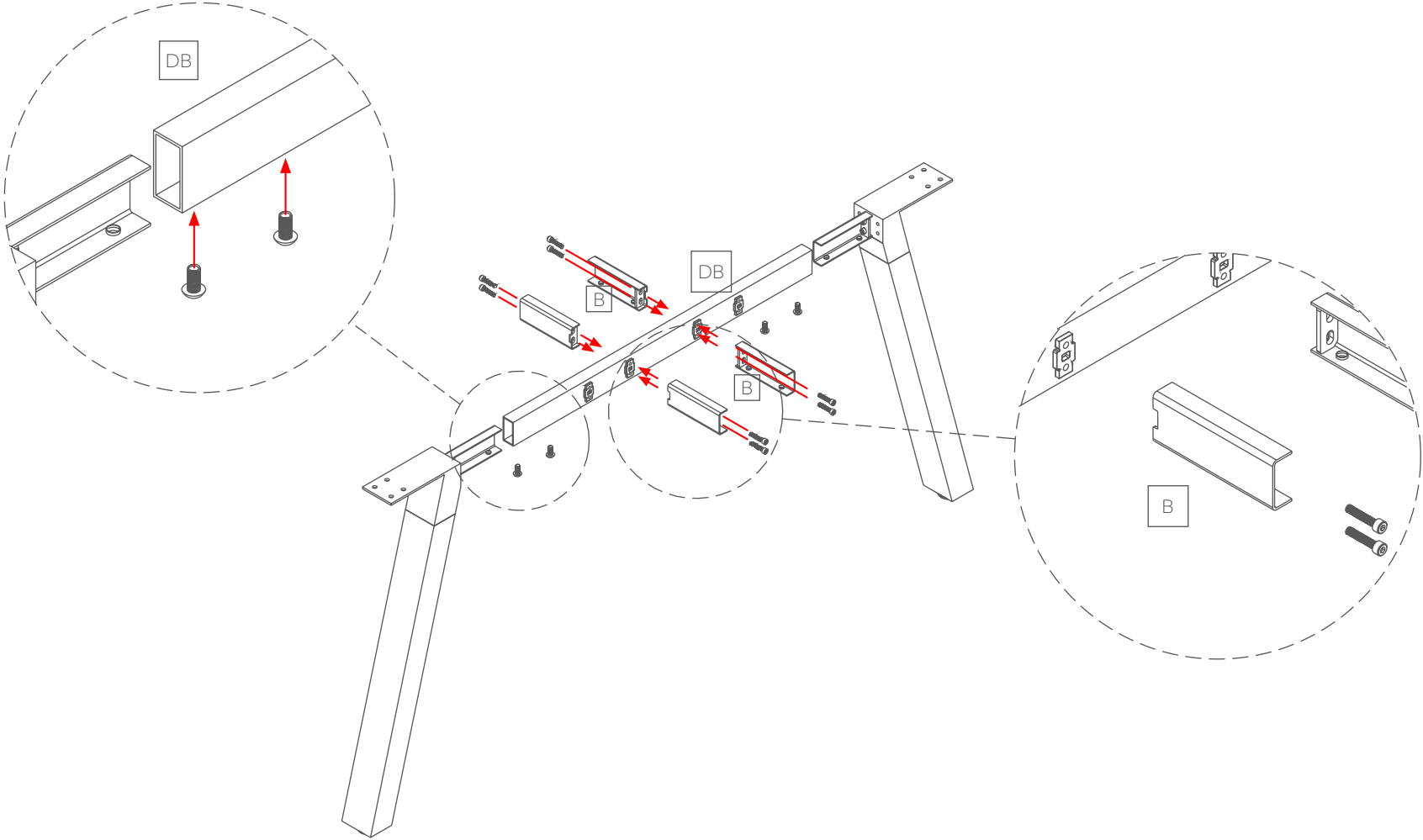


# Plantation 6 - Leg Meeting Table

Assembly Instructions

### STEP 3:

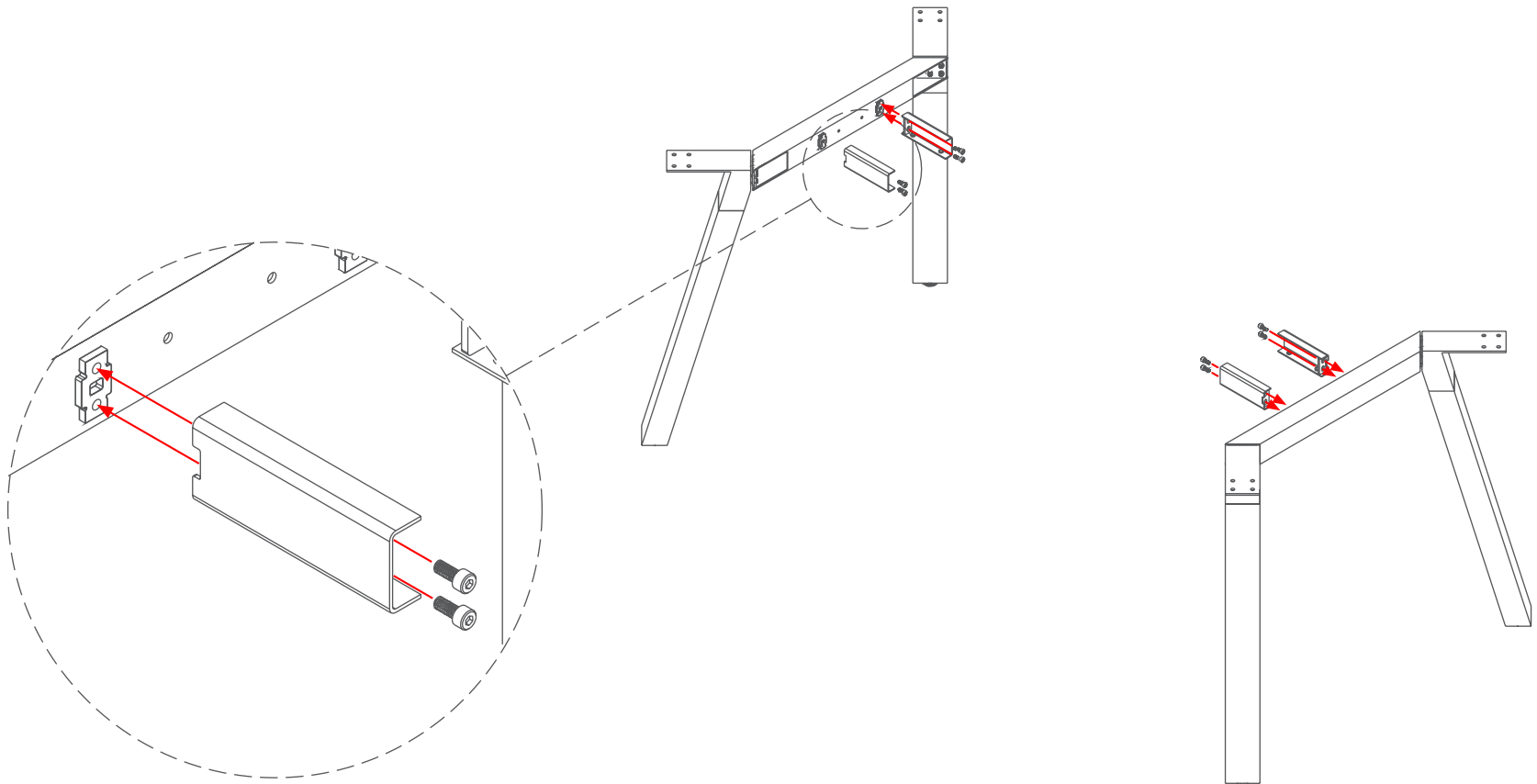
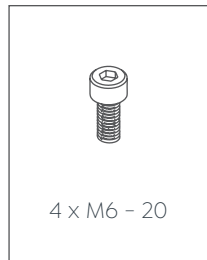
- 8 x M6 - 20
- 4 x M8 - 16



# Plantation 6 - Leg Meeting Table

## Assembly Instructions

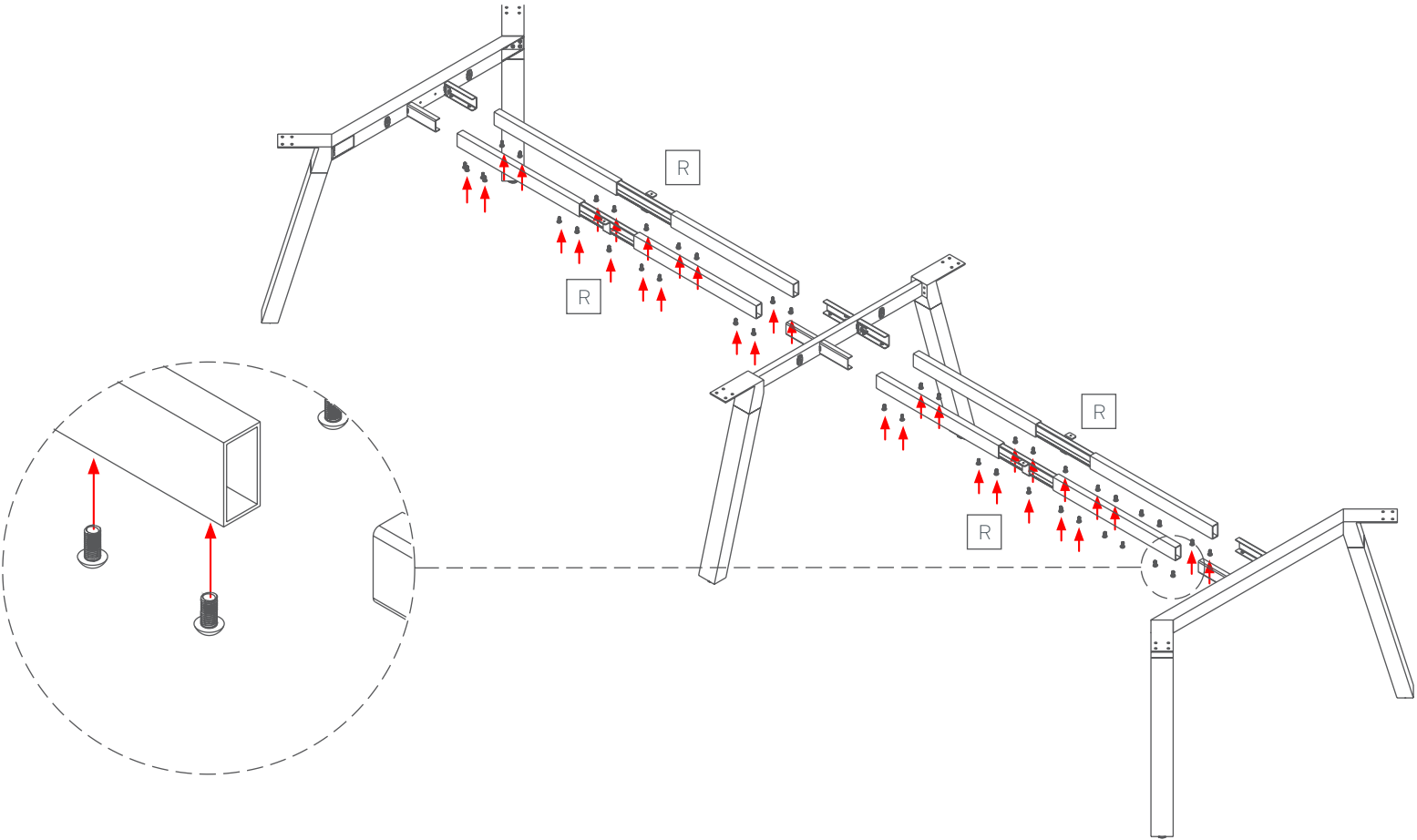
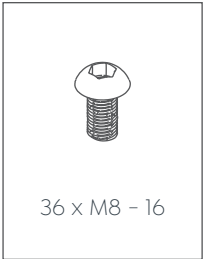
### STEP 4:



# Plantation 6 - Leg Meeting Table

Assembly Instructions

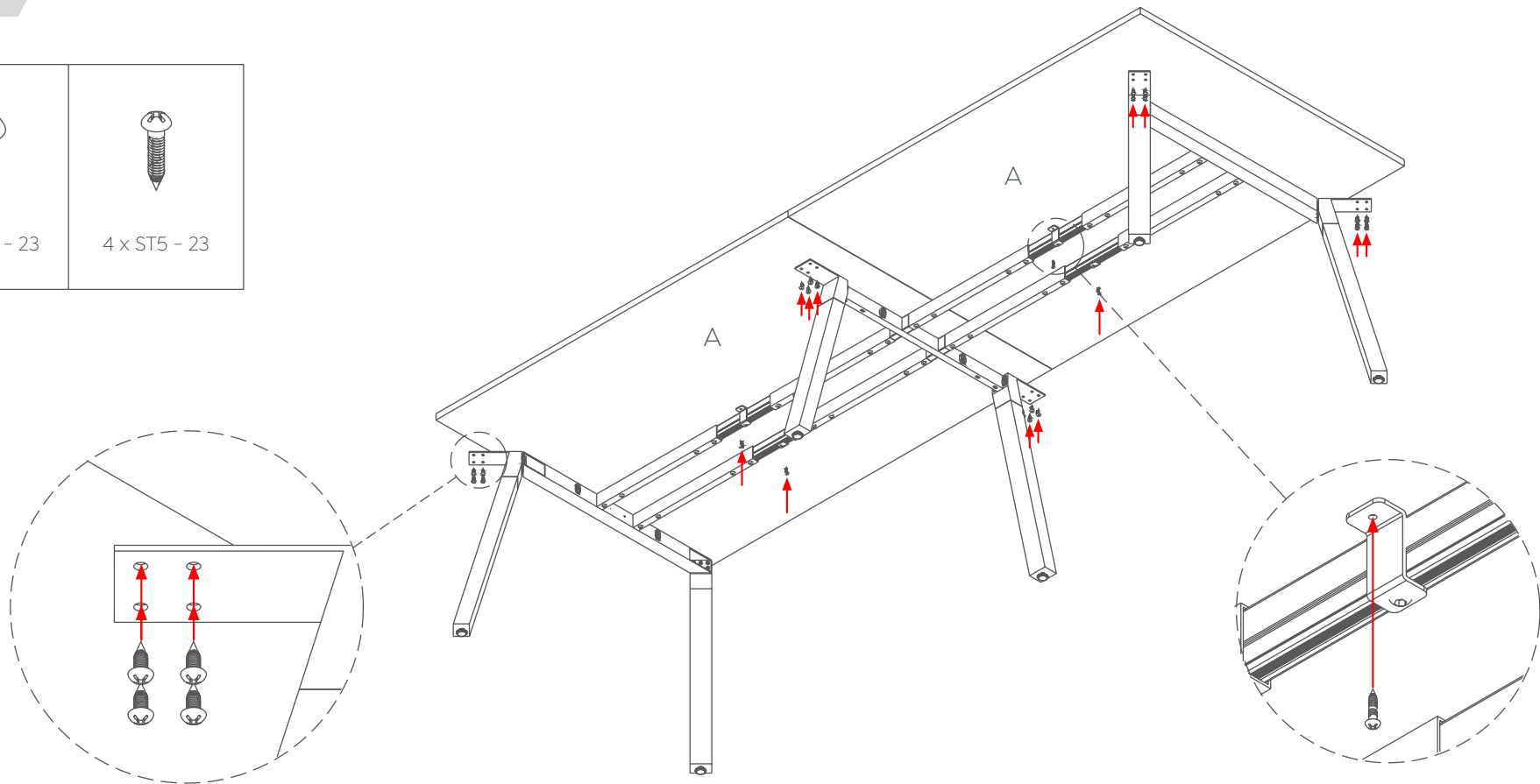
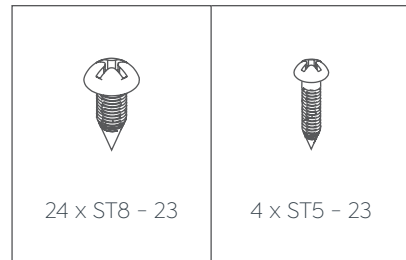
## STEP 5:



# Plantation 6 - Leg Meeting Table

## Assembly Instructions

### STEP 6:





# Plantation 6 - Leg Meeting Table

Assembly Instructions

**Complete:**

