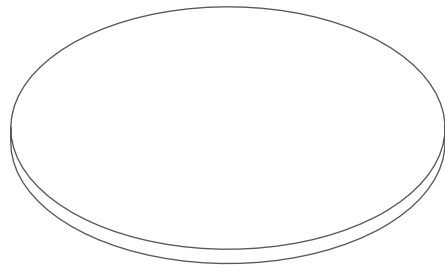


Plantation Round (3 - Leg) Coffee Table

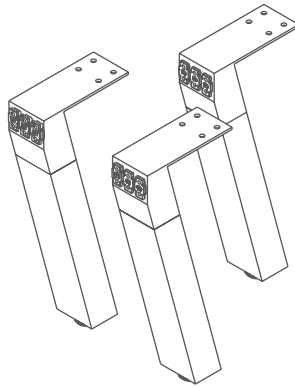
Assembly Instructions

Plantation Round (3 - Leg) Coffee Table

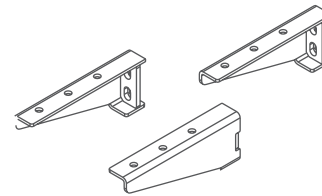
Components List



4 x Meeting Table Legs 75° Angle



3 x Coffee Table Legs 75° Angle



3 x AXKDBRAC

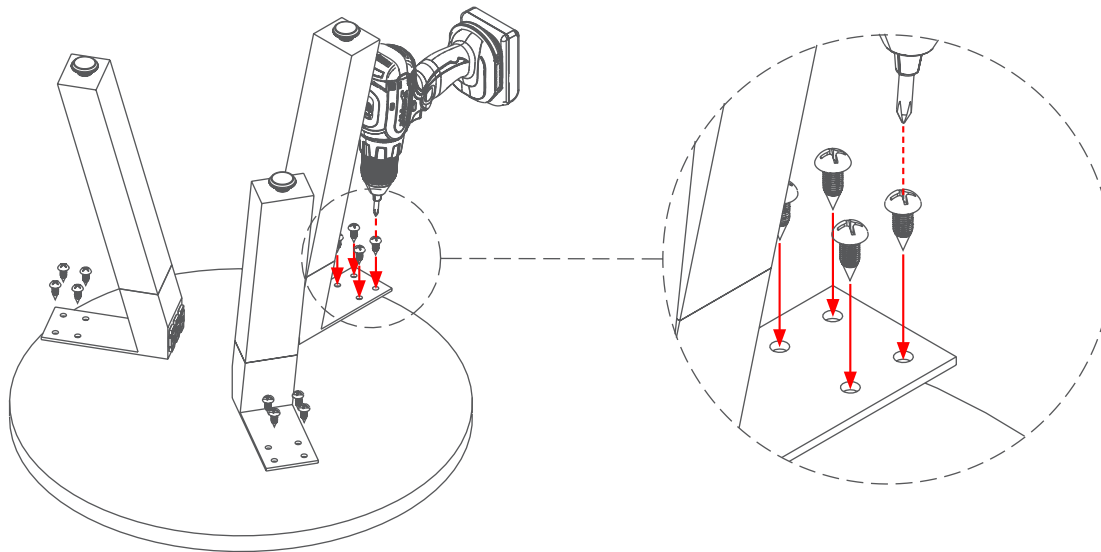
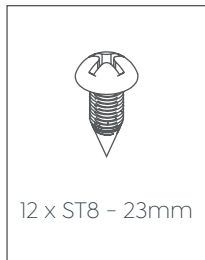


12 x ST8 - 23mm

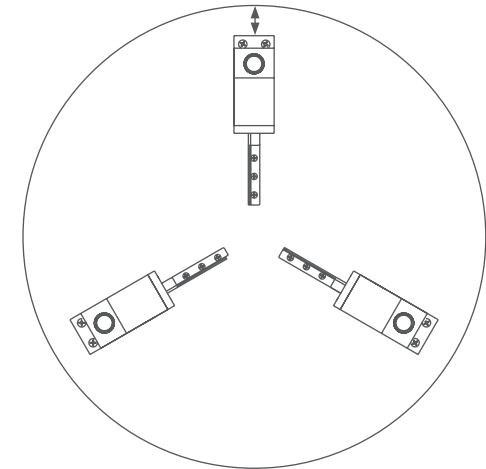
Plantation Round (3 - Leg) Coffee Table

Assembly Instructions

STEP 1:



No closer than 5mm



NOTE: AXKDBRAC are not needed on 600 round tables.

Plantation Round (3 - Leg) Coffee Table

Assembly Instructions

Complete:

