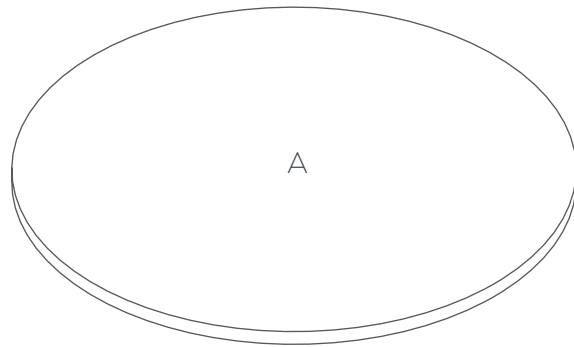


Plantation Round (3 - Leg) Meeting Table

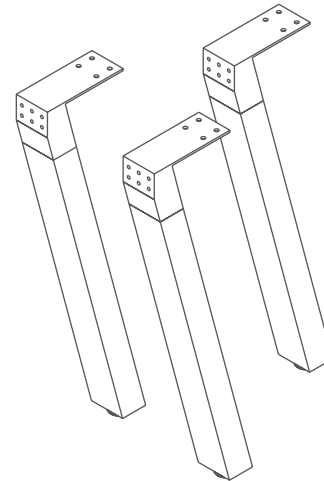
Assembly Instructions

Plantation Round (3 - Leg) Meeting Table

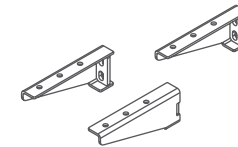
Components List



Axis Worktop



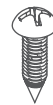
3 x Meeting Table Legs 75° Angle



3 x AXKDBRAC



6 x M6 - 20mm



9 x ST6 - 23mm



12 x ST8 - 23mm

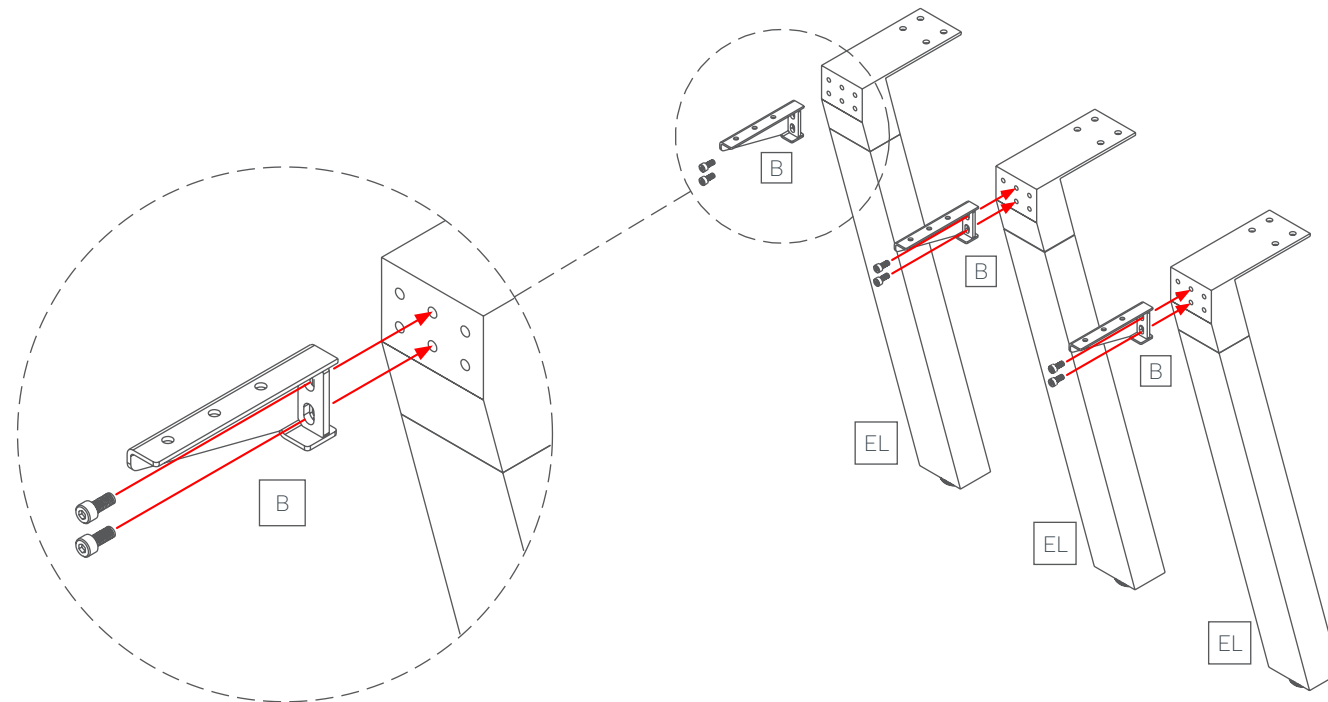
Plantation Round (3 - Leg) Meeting Table

Assembly Instructions

STEP 1:



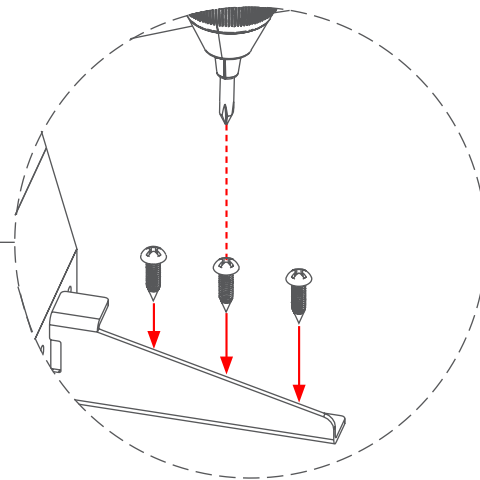
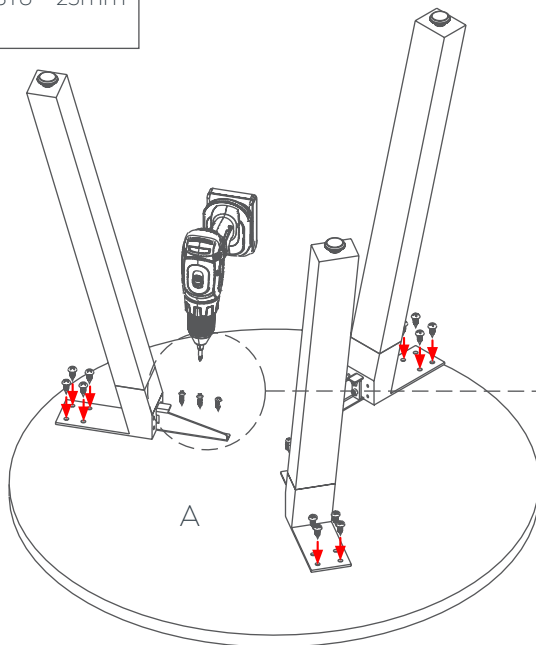
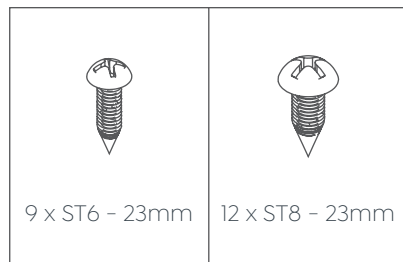
6 x M6 - 20mm



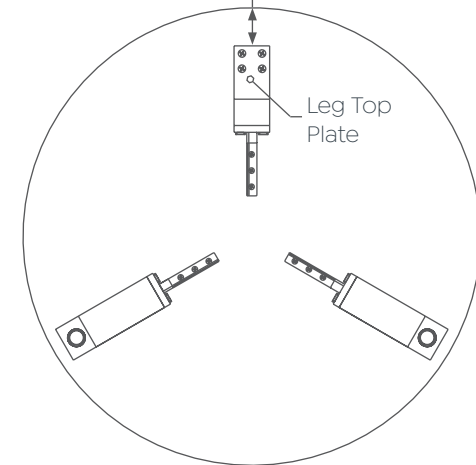
Plantation Round (3 - Leg) Meeting Table

Assembly Instructions

STEP 2:



No closer than 5mm



Plantation Round (3 - Leg) Meeting Table

Assembly Instructions

Complete:

