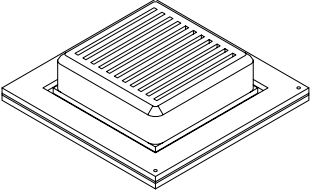
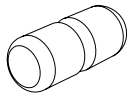
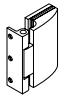
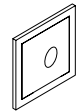


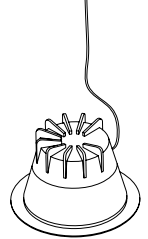


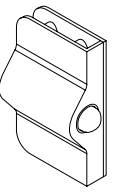






Qzone Phonebooth

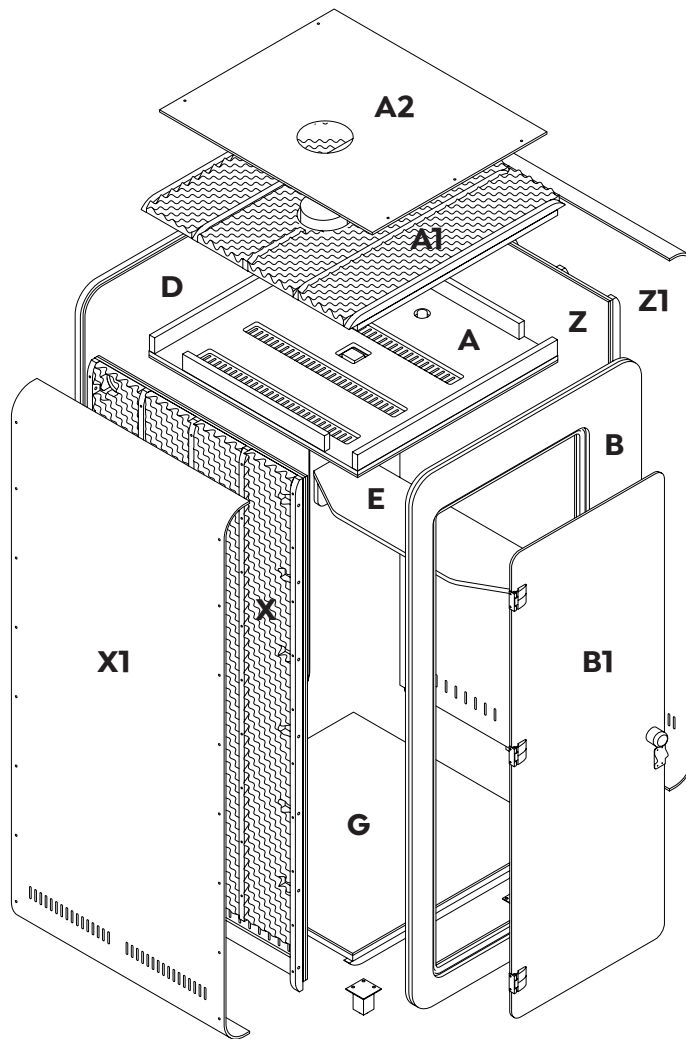
Assembly Instructions

Qzone Phonebooth

Parts List

						
Fan (x1)	Handle (x2)	Hinge (x3)	Motion Sensor (x1)	Rubber Washers (x4)	4 x 45 Self Tapping Screw (x4)	Light (x1)

						
Door Latch	M6 x 50 Allen bolts (x32)	M6 x 20 Allen bolts (x32)	M6 x 40 Allen bolts (x4)	5 x 15 Self Tapping Screw (x4)	4 x 40 Self Tapping Screw (x4)	4 x 25 Self Tapping Screw (36)



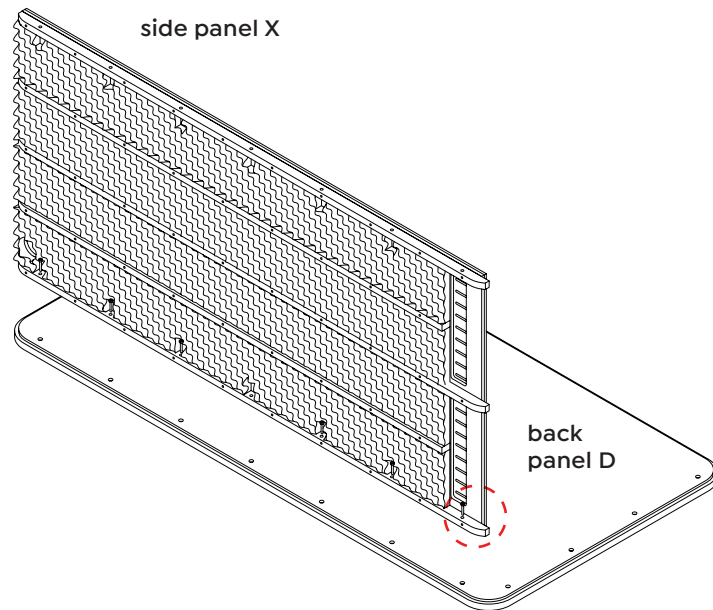
- A** - Ceiling Panel
- A1** - Top Panel
- A2** - AKU Panel
- B** - Front Panel
- B1** - Glass Door
- D** - Back Panel
- E** - Shelf
- G** - Bottom Panel
- X** - Side Panel
- X1** - AKU Side Panel
- Z** - Side Panel
- Z1** - AKU Side Panel



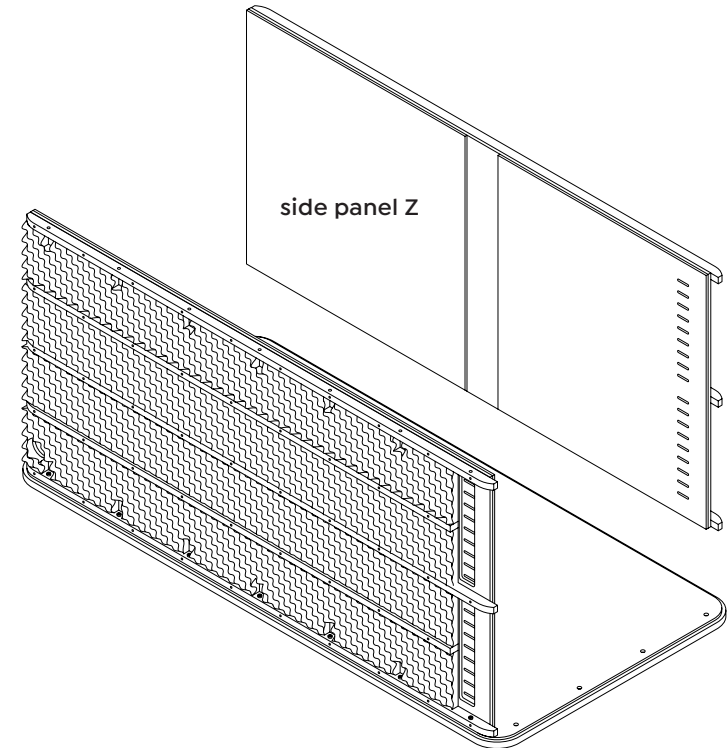
TEMPERED GLASS DOOR
Must be recycled at specialist recycling centre

Qzone Phonebooth

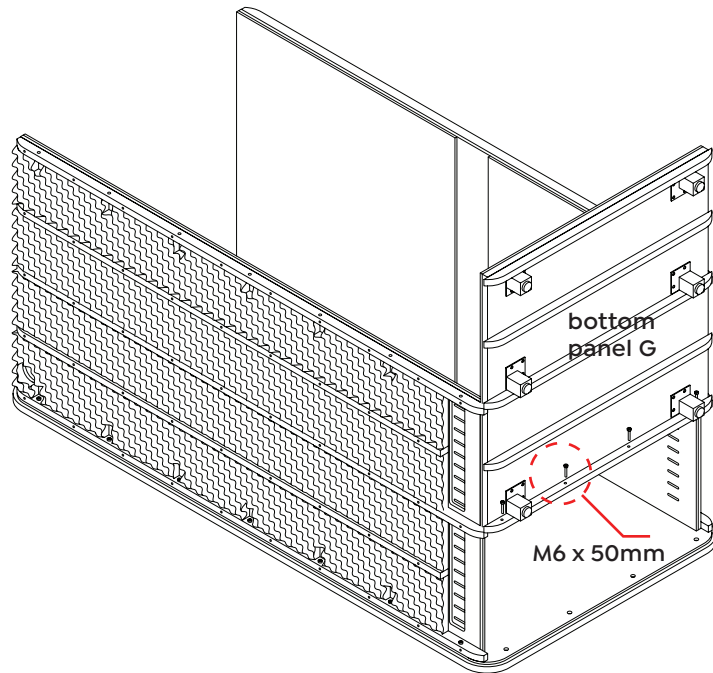
Assembly Instructions



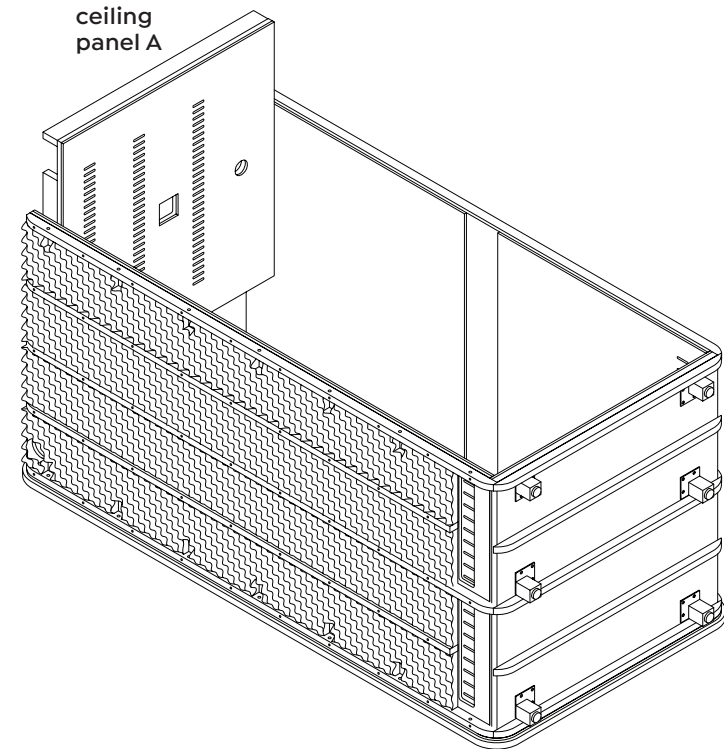
STEP 1: Bolt the side panel X to the back panel D using M6 x 50 screws.



STEP 2: Bolt the side panel Z to the back panel D using M6 x 50 screws.



STEP 3: Bolt the bottom panel G to the back panel D using M6 x 50 screws.



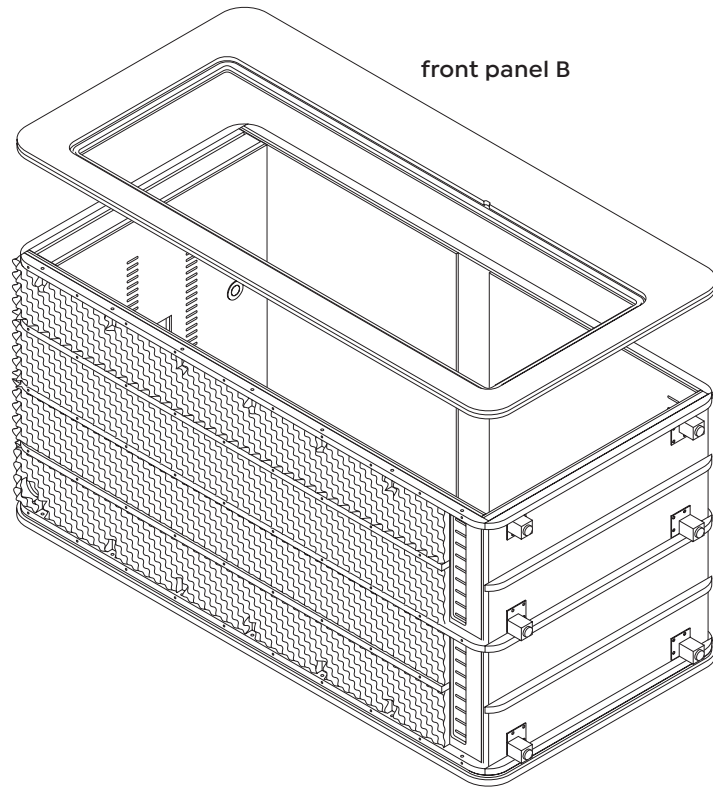
STEP 4: Bolt ceiling panel A to the back panel D using M6 x 50 screws.



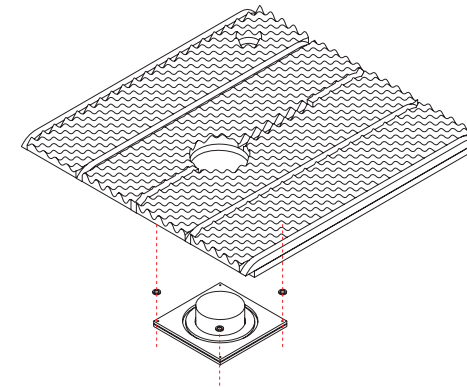
TEMPERED GLASS DOOR
Must be recycled at specialist
recycling centre

Qzone Phonebooth

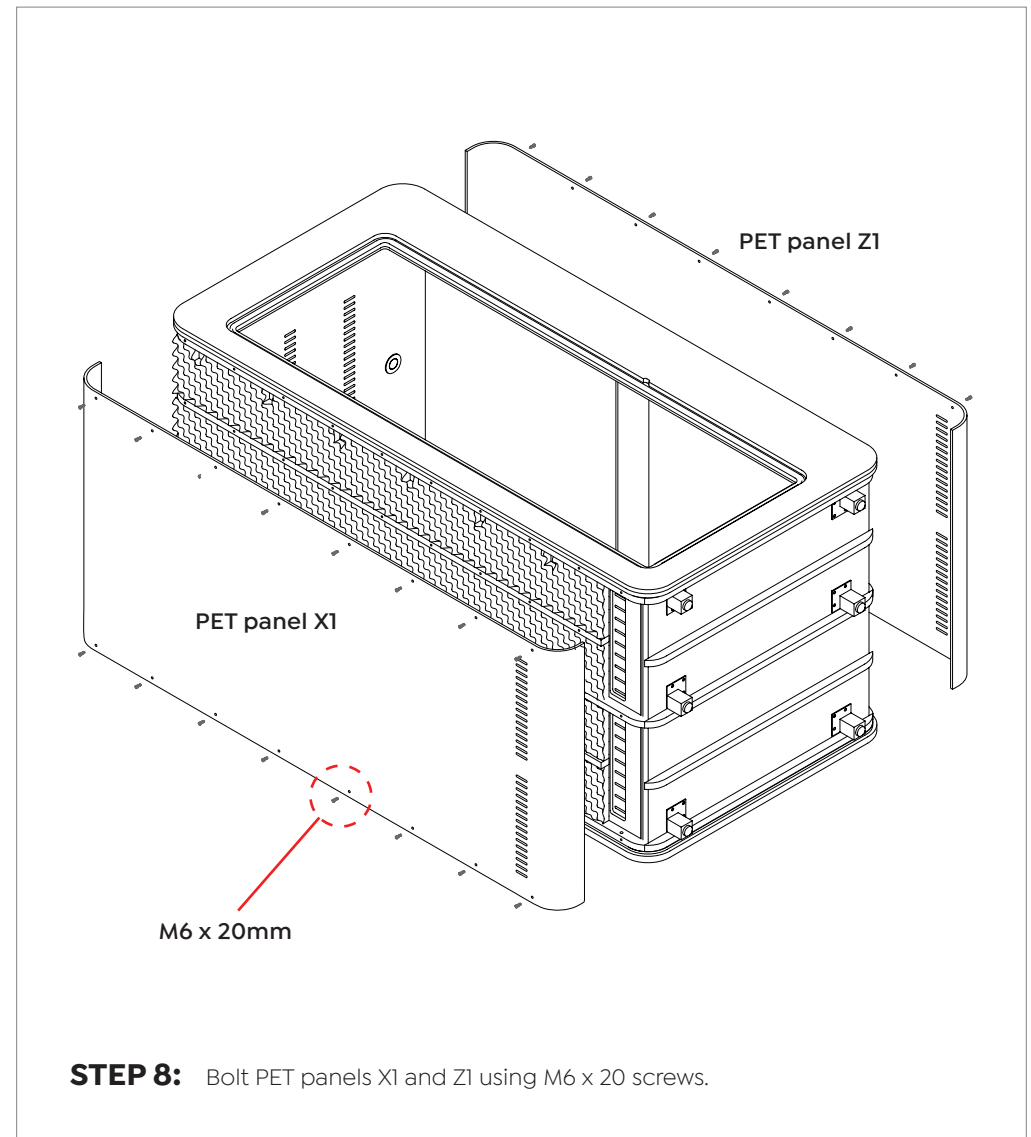
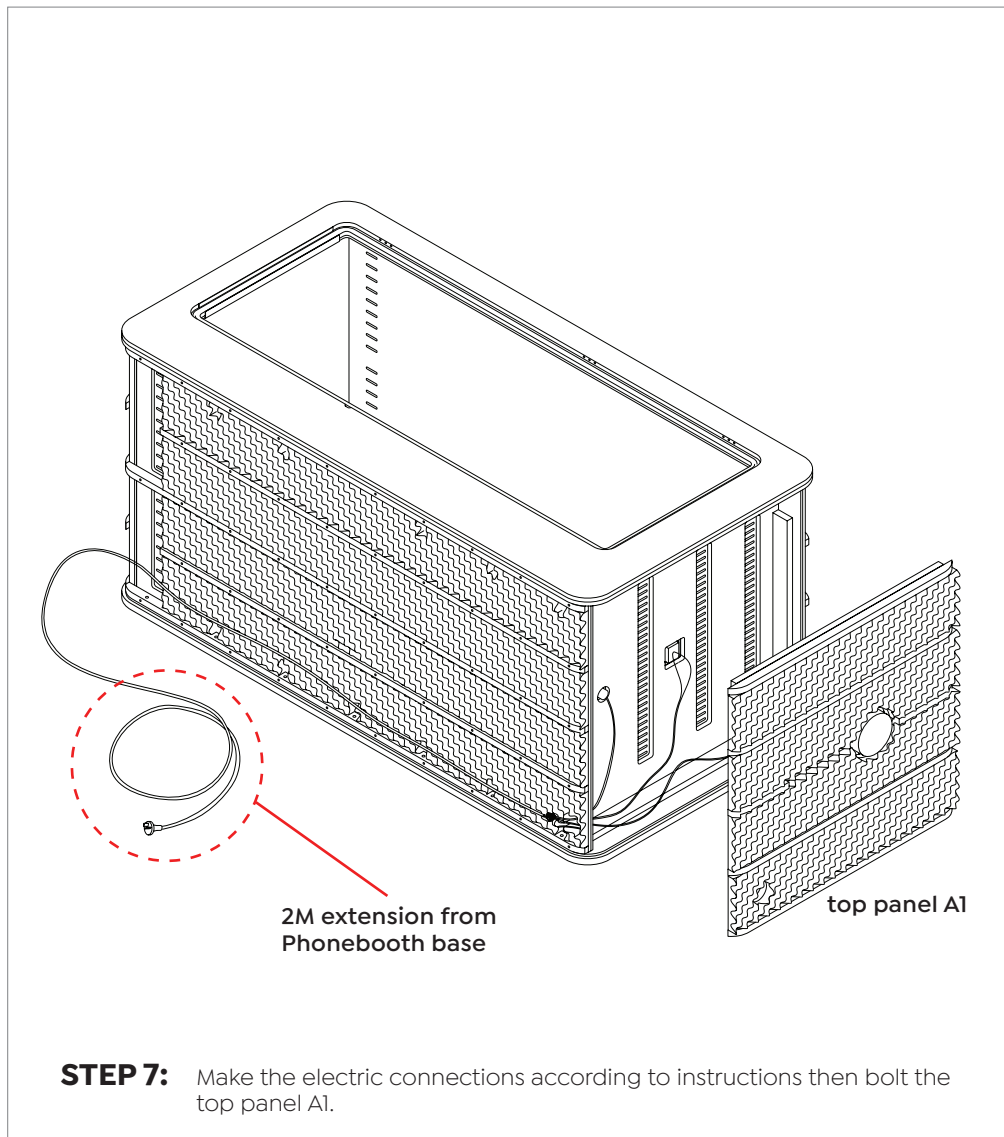
Assembly Instructions



STEP 5: Bolt the front panel B to panels Z, X, G and A using M6 x 50 screws.

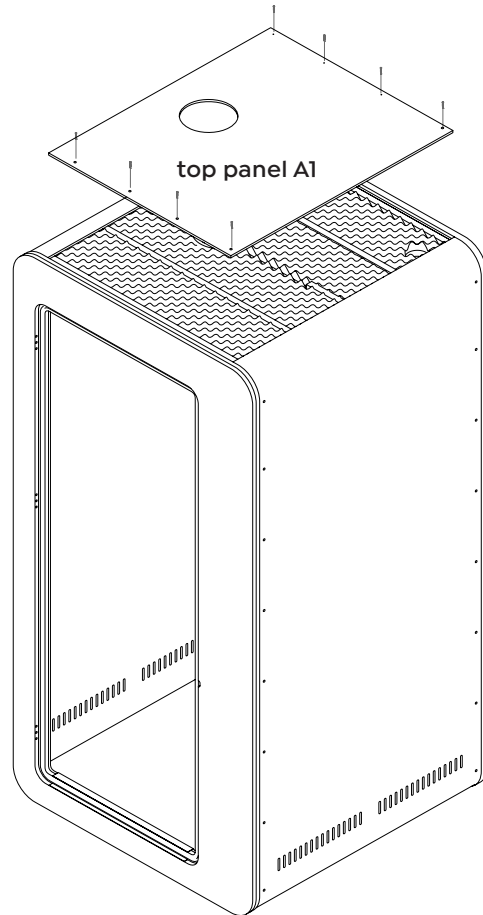


STEP 6: Install the fan on the panel A1 with washers and 4 x 45 self-tapping screws.

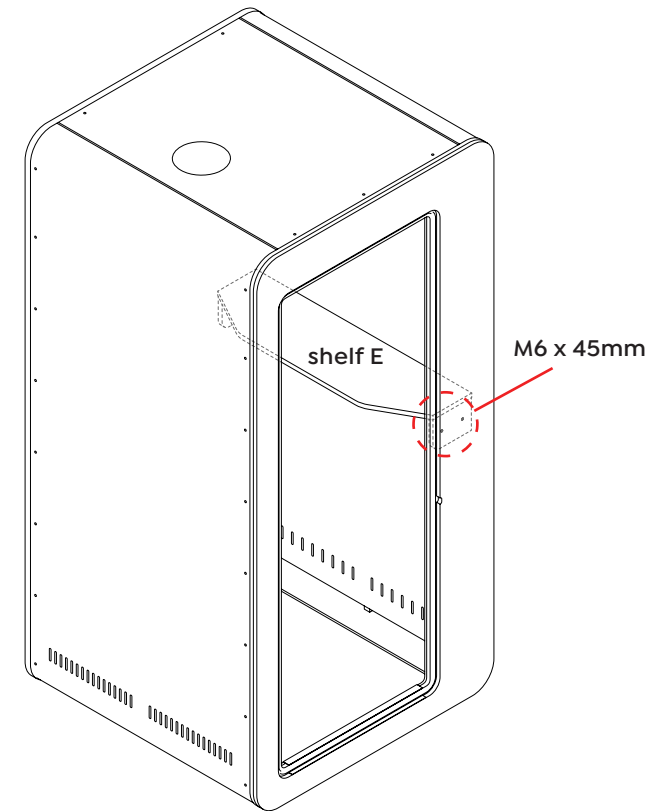


Qzone Phonebooth

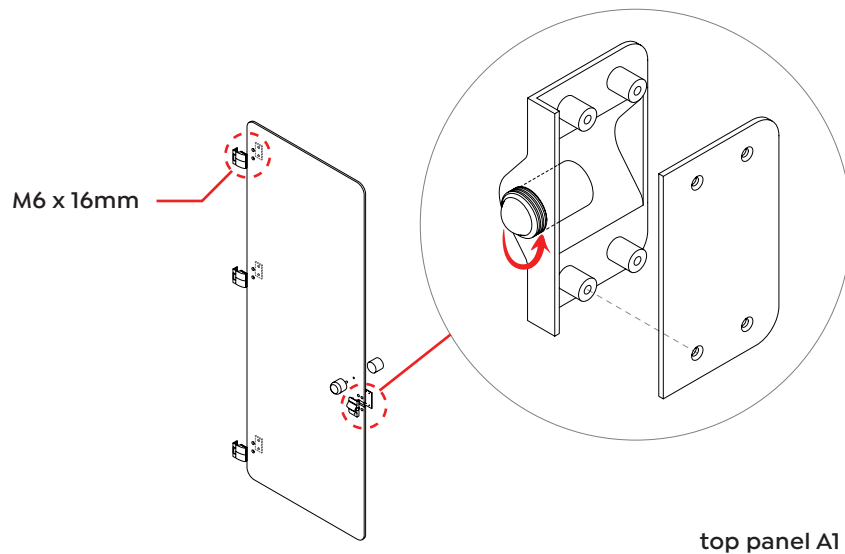
Assembly Instructions



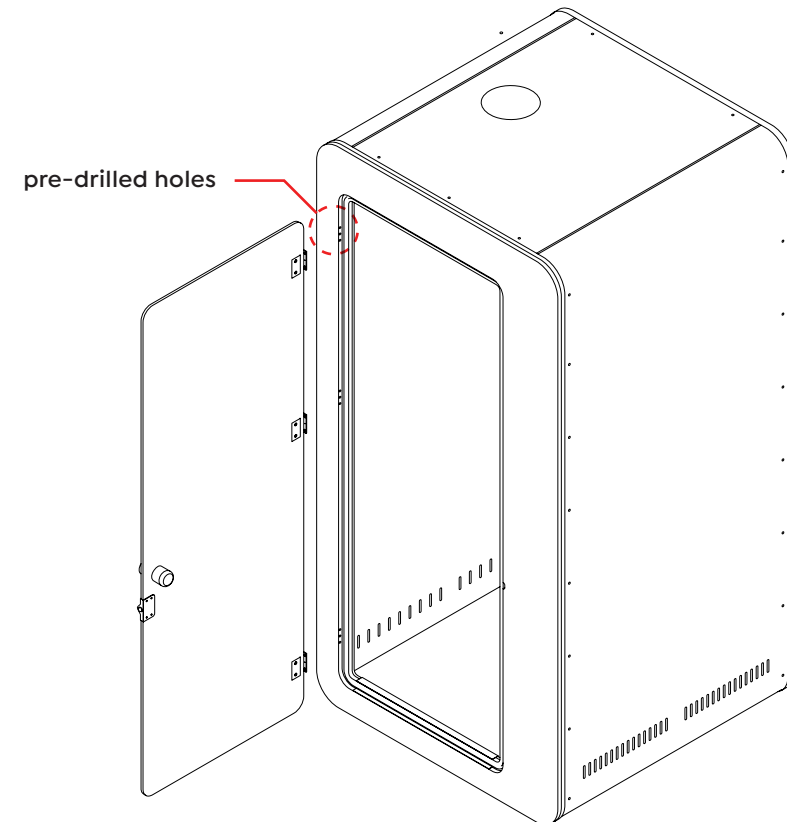
STEP 9: Bolt the top panel A1 using self-tapping screws.



STEP 10: Bolt the shelf E to the panels front B and back D using M6 x 45 screws.



STEP 11: Bolt the hinges, handle and door lock to the glass door. The threaded tube on the door latch allows adjustment for a tighter closing. Might require a few trials to find the perfect position.



STEP 12: Mount glass door B1 to the frame using supplied hardware.

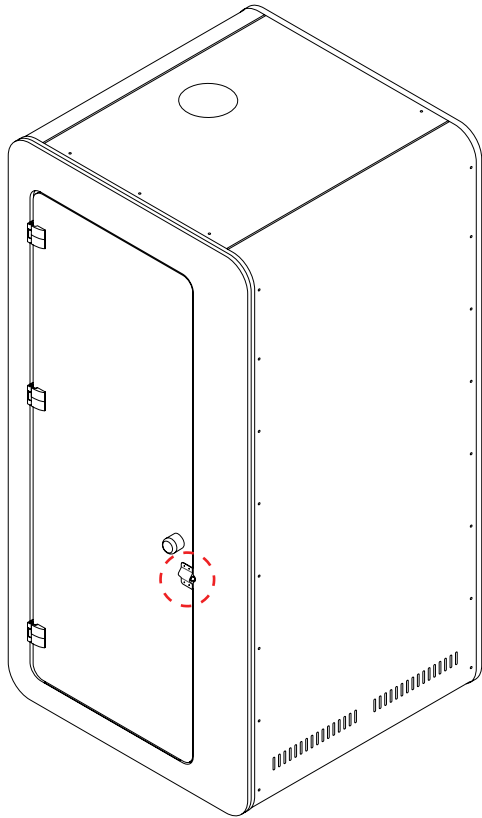


TEMPERED GLASS DOOR

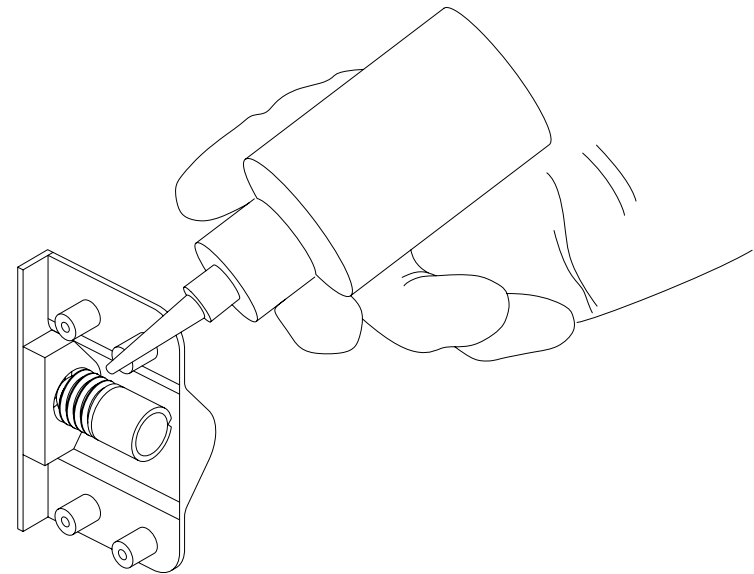
Must be recycled at specialist recycling centre

Qzone Phonebooth

Assembly Instructions



STEP 13: Adjust the thread on the door lock to get the desired closing.



STEP 14: Once the desired locking setup is achieved, remove the latch from the door. Mark the correct position of the threaded tube and unscrew. Apply LOCTITE or similar product on the thread so it doesn't loosen over time. Adjust the threaded tube back to the original position.