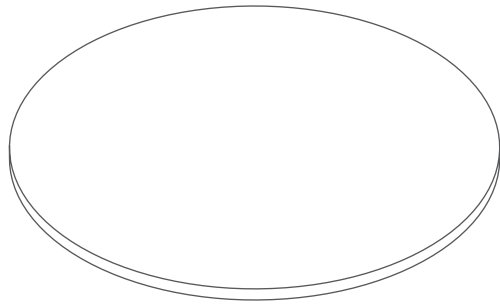


Team 3-Leg Round Table

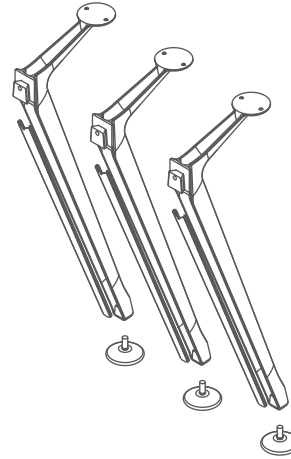
Assembly Instructions

Team 3-Leg Round Table

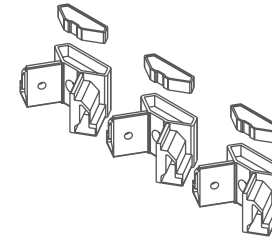
Components List



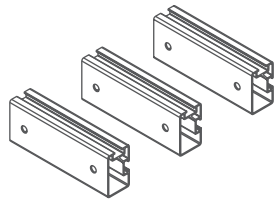
Axis Worktop



3 x Leg



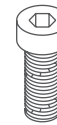
3 x 2-Way Connector & Cap



3 x Rails



6 - M8 x 12mm
(Dome head)



3 - M8 x 20mm
(Cap head)

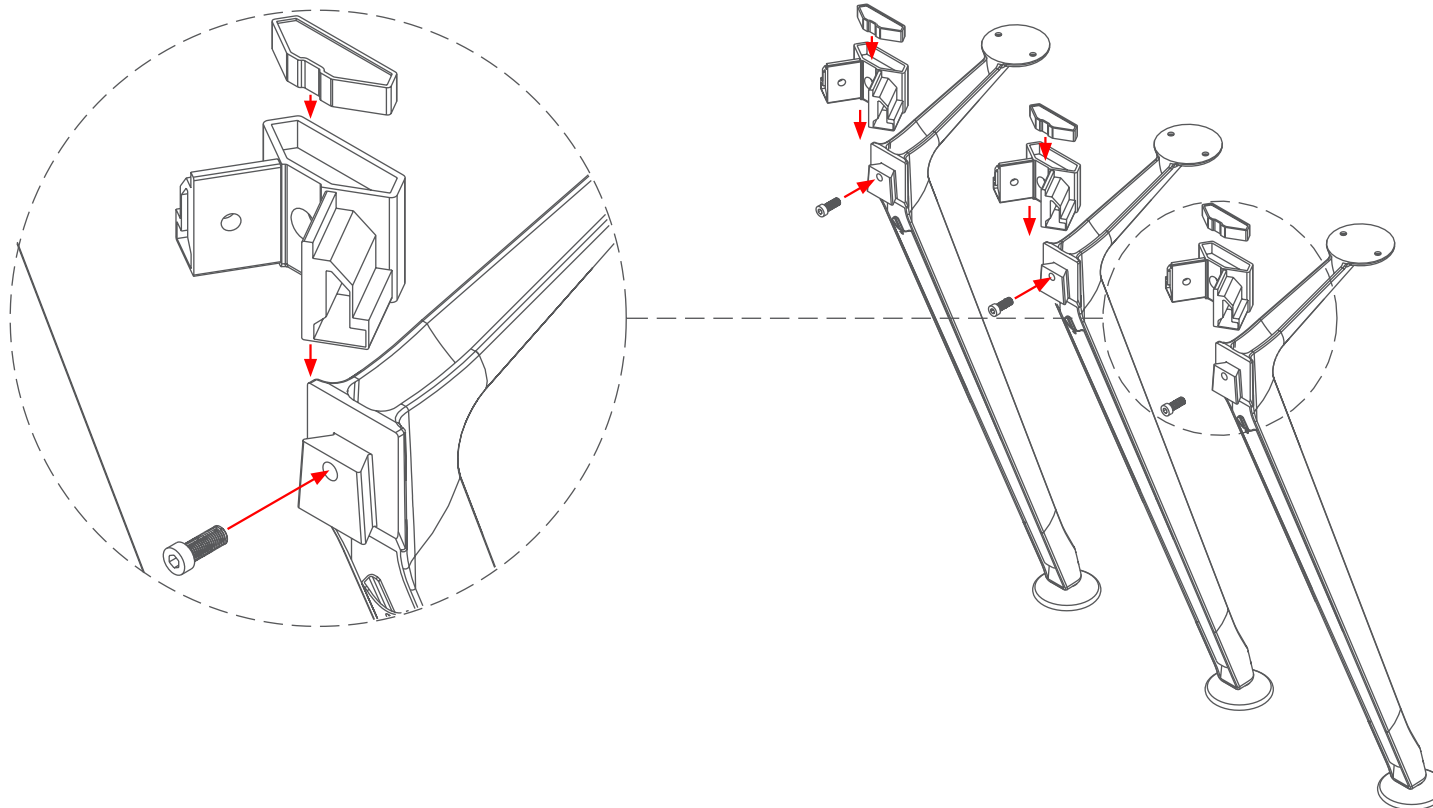
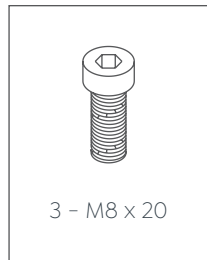


6 - M5 x 20mm
Self-Tapping

Team 3-Leg Round Table

Assembly Instructions

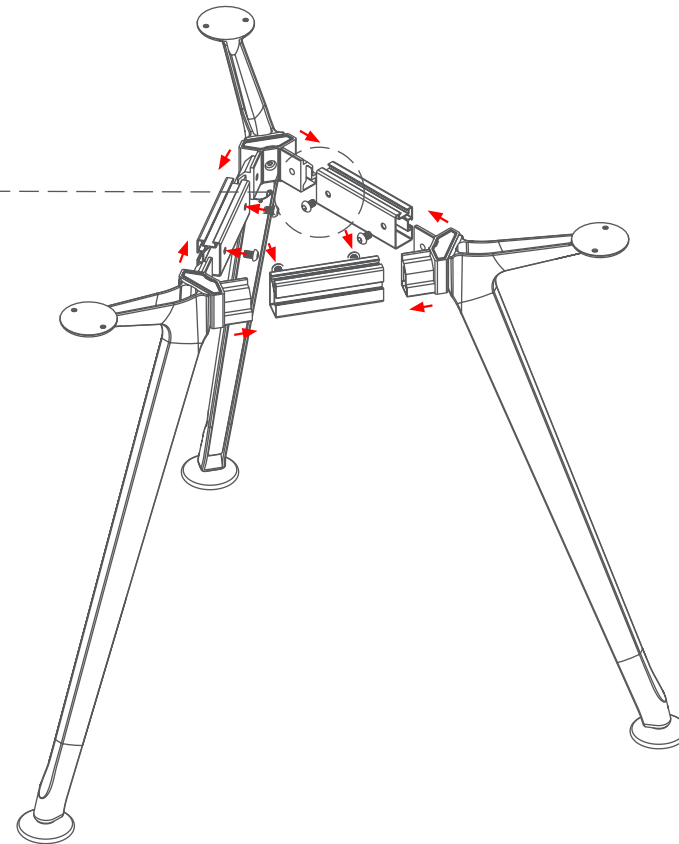
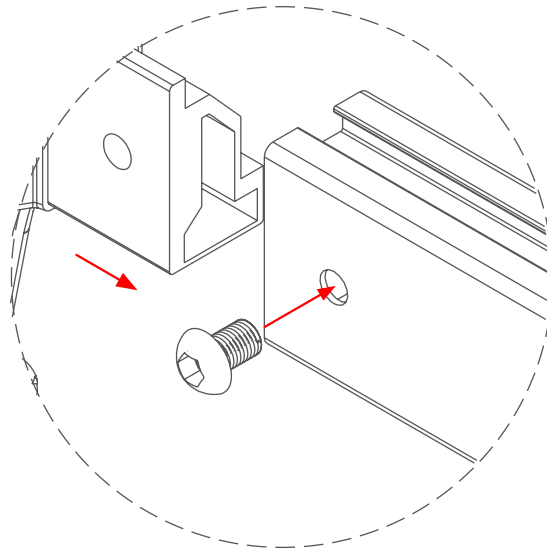
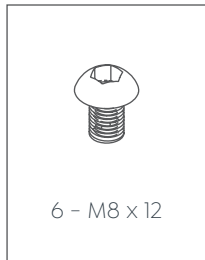
STEP 1:



Team 3-Leg Round Table

Assembly Instructions

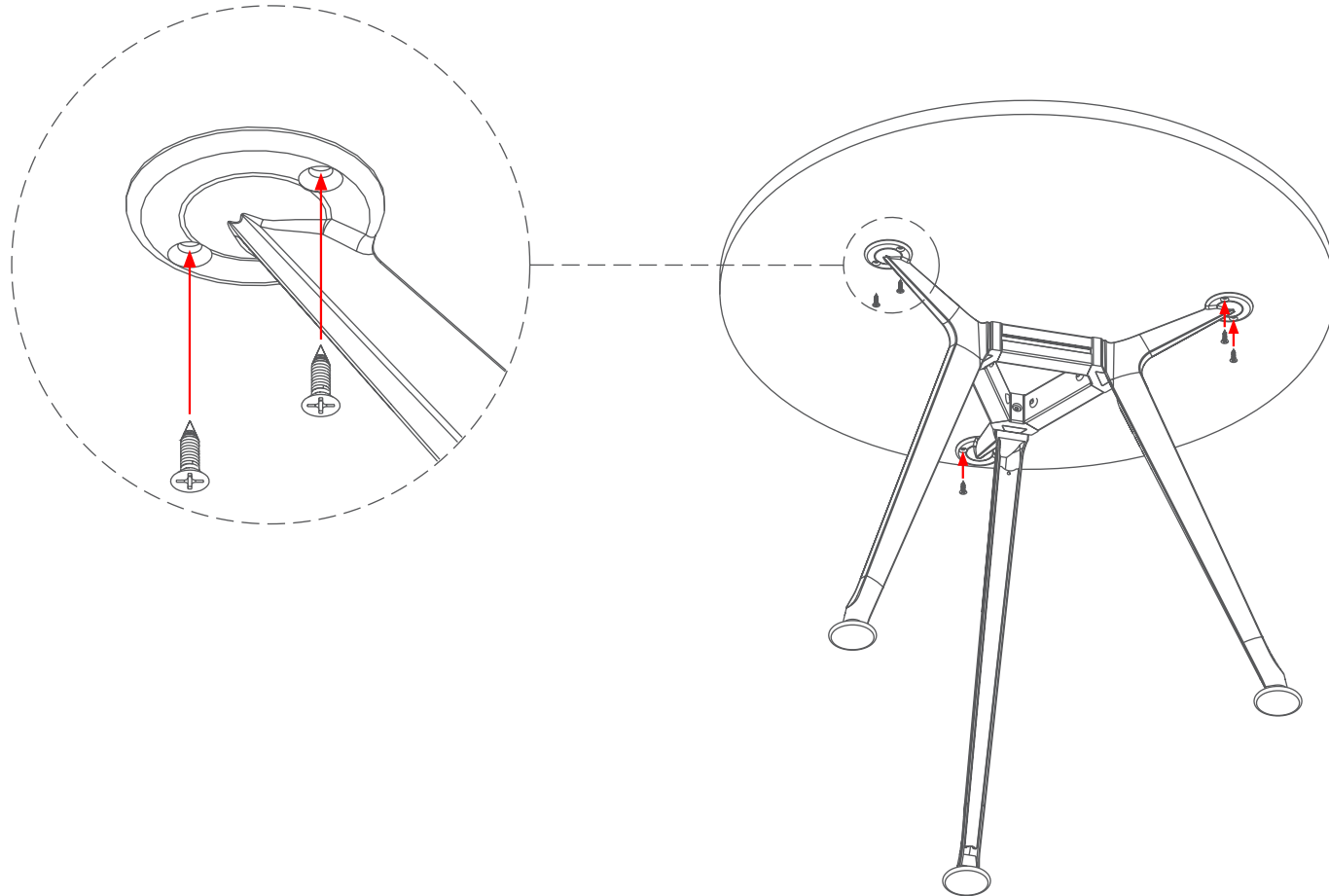
STEP 2:



Team 3-Leg Round Table

Assembly Instructions

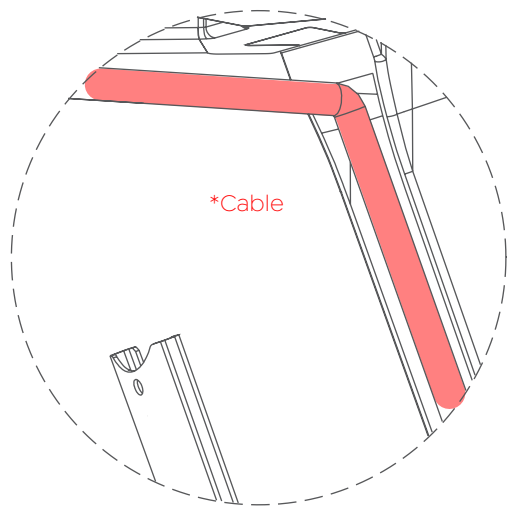
STEP 3:



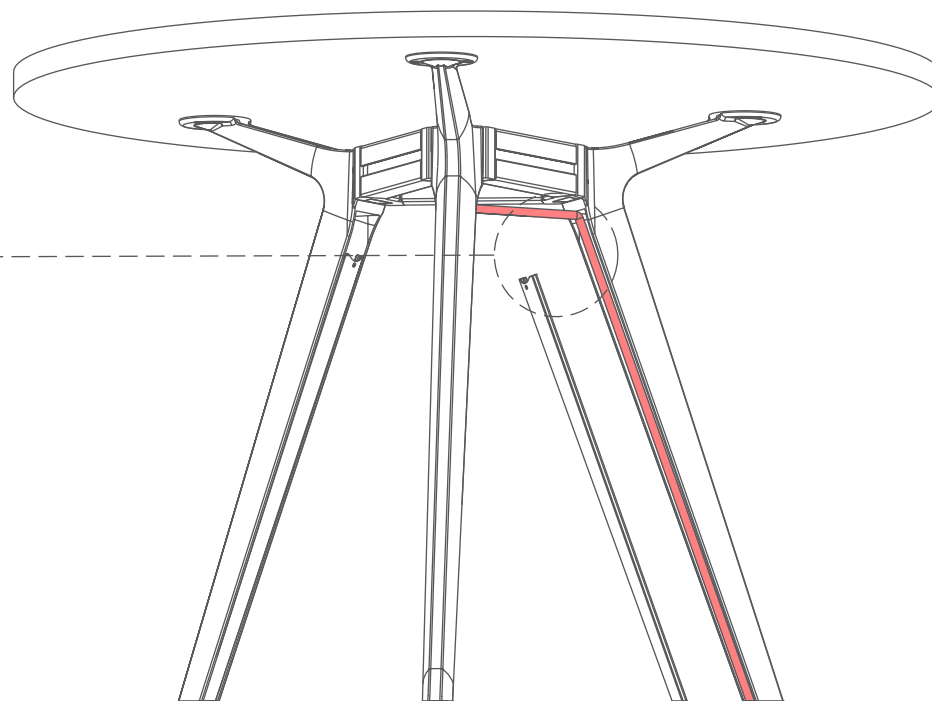
Team 3-Leg Round Table

Assembly Instructions

STEP 4:



Conceal any power box cables using the leg cable covers.



Team 3-Leg Round Table

Assembly Instructions

Complete:

