



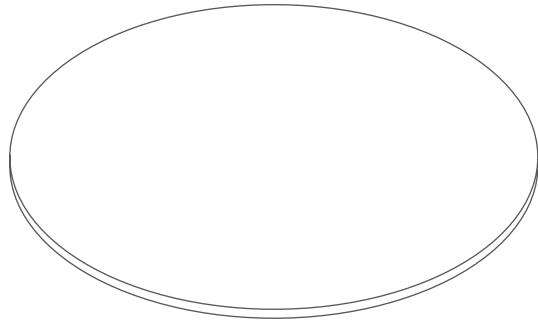
---

## **Team 4-Leg Round Table**

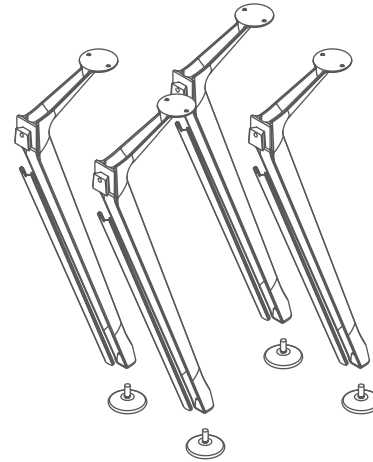
Assembly Instructions

# Team 4-Leg Round Table

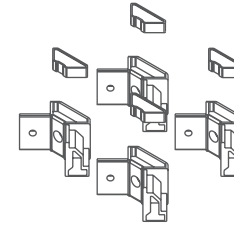
## Components List



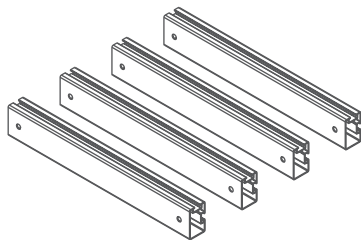
Axis Worktop



4 x Leg



4 x 2-Way Connector & Cap



4 x Rails



8 - M8 x 12mm  
(Dome head)



4 - M8 x 20mm  
(Cap head)

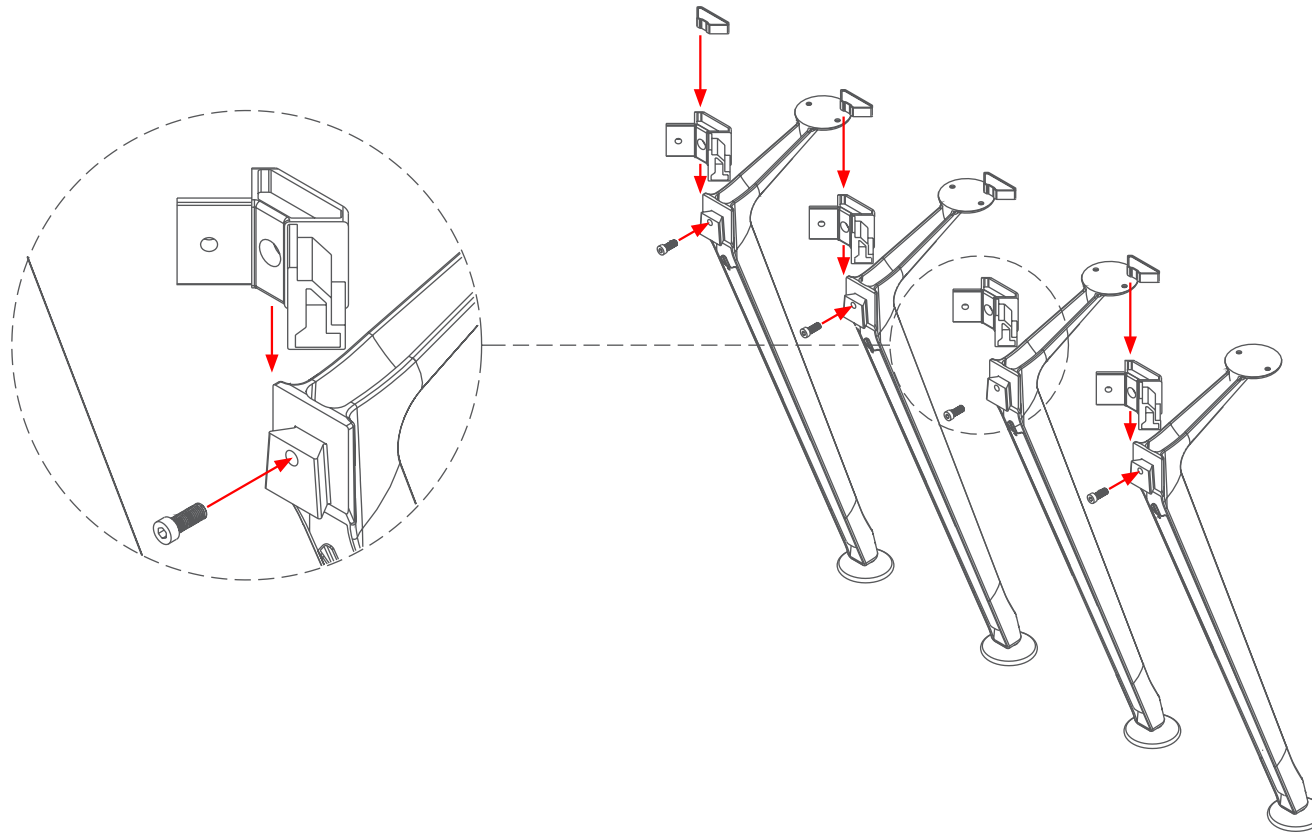
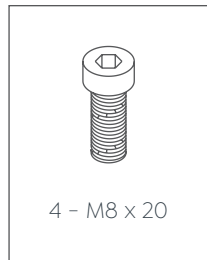


8 - M5 x 20mm  
Self-Tapping

# Team 4-Leg Round Table

Assembly Instructions

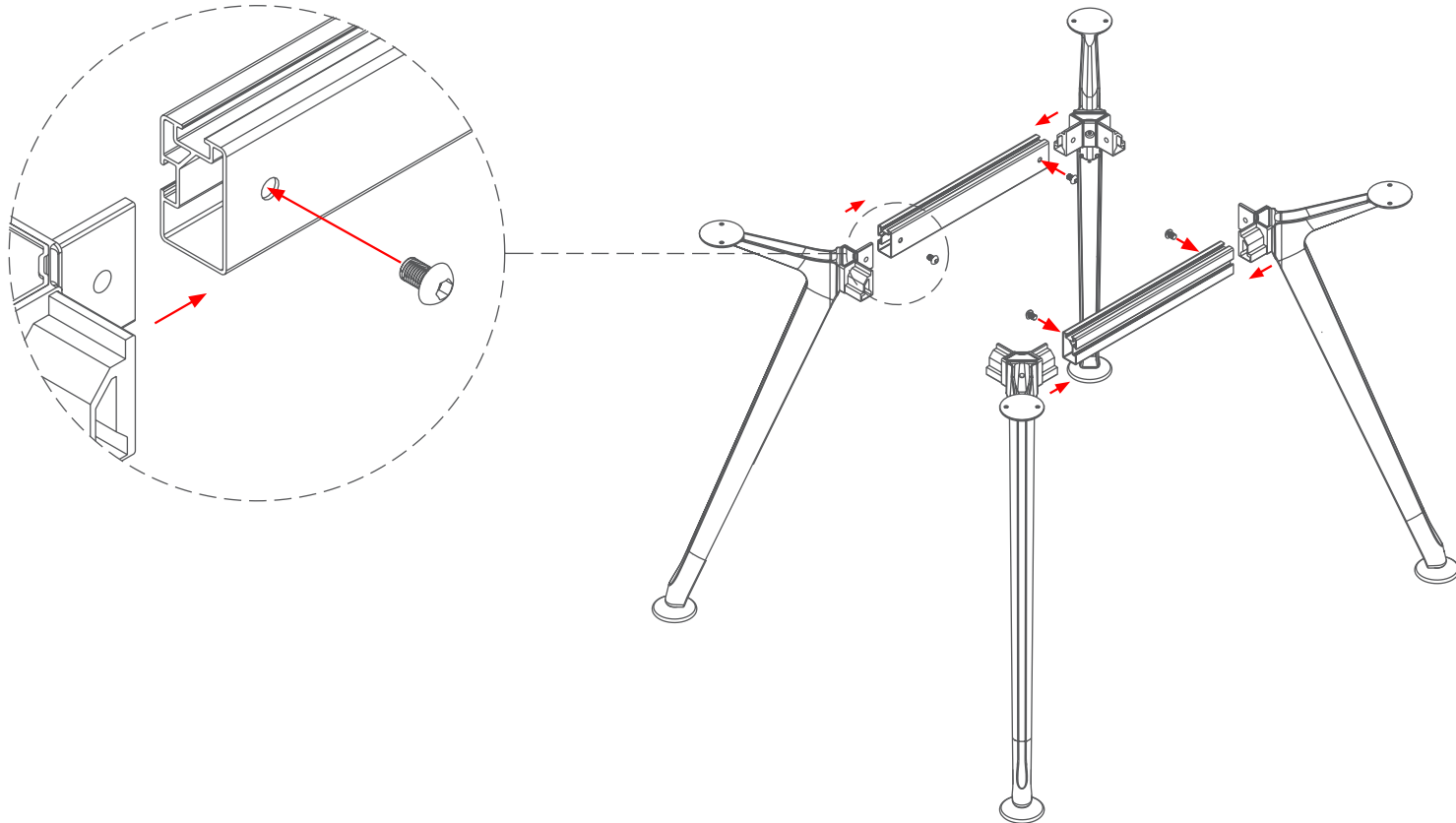
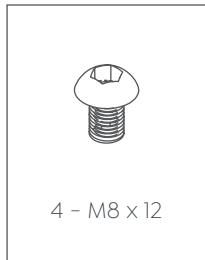
## STEP 1:



# Team 4-Leg Round Table

## Assembly Instructions

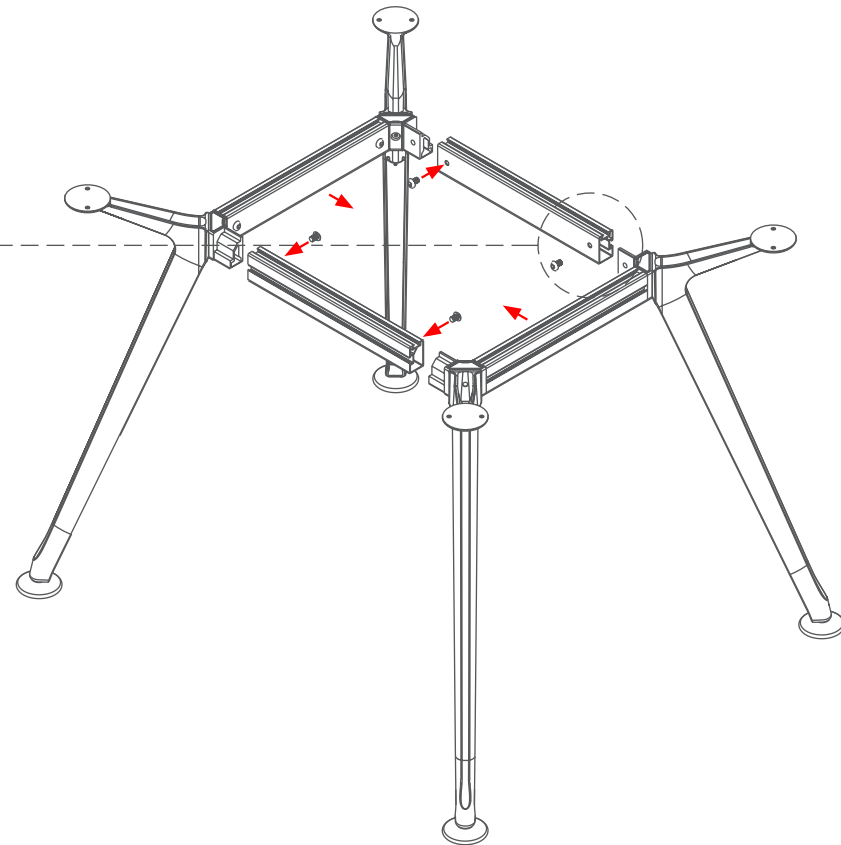
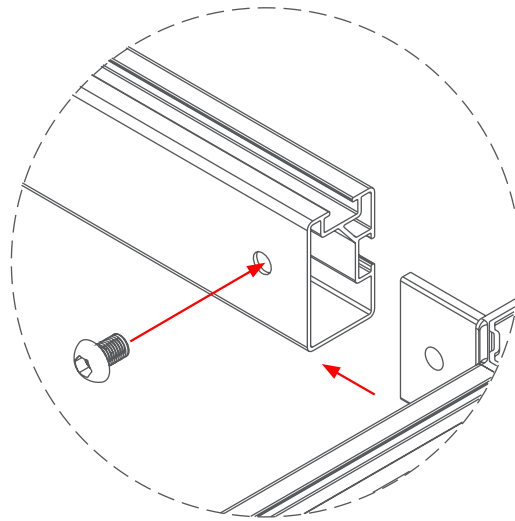
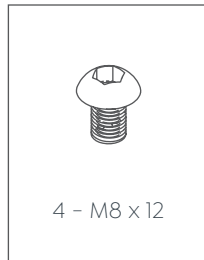
### STEP 2:



# Team 4-Leg Round Table

Assembly Instructions

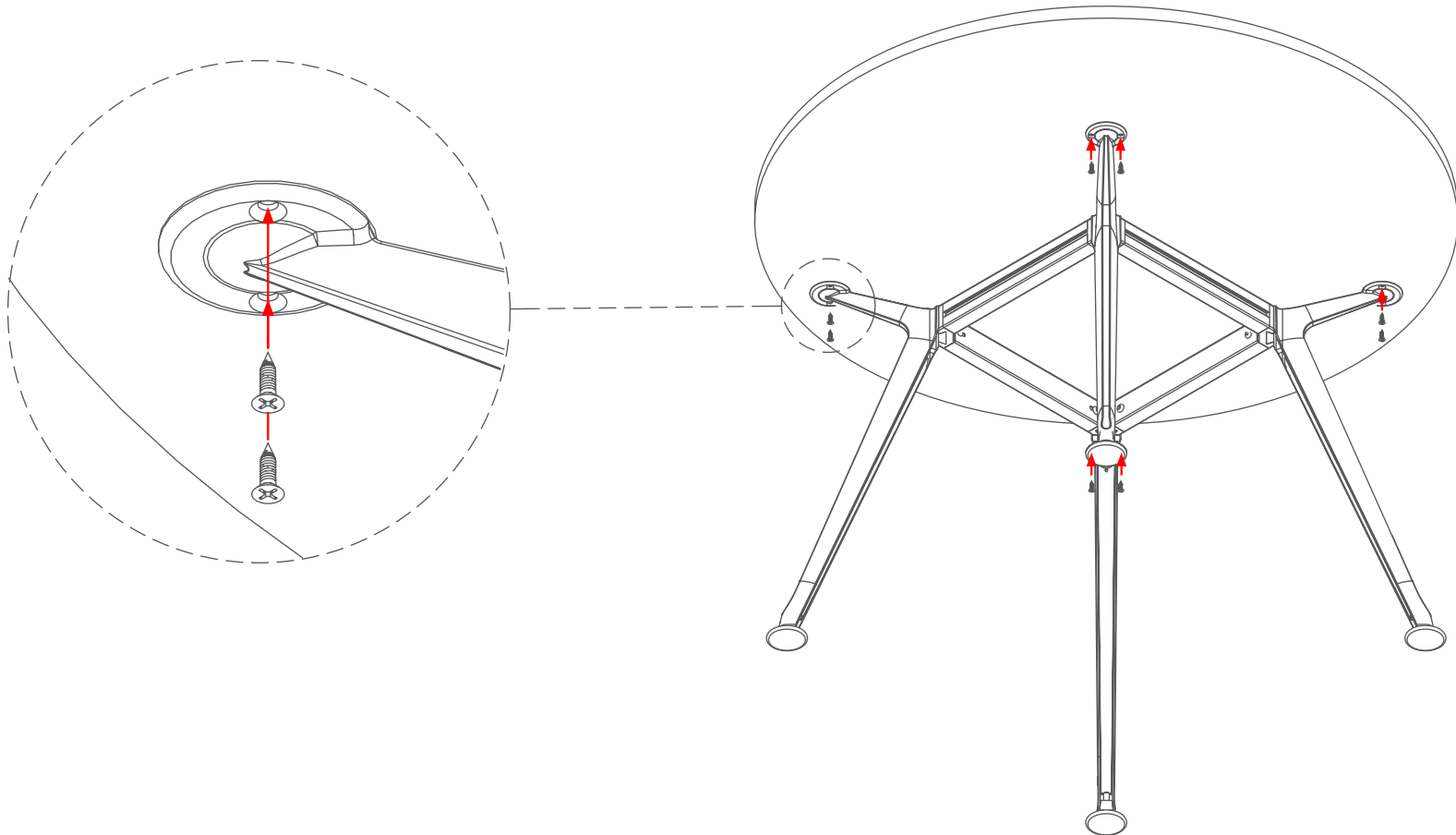
## STEP 3:



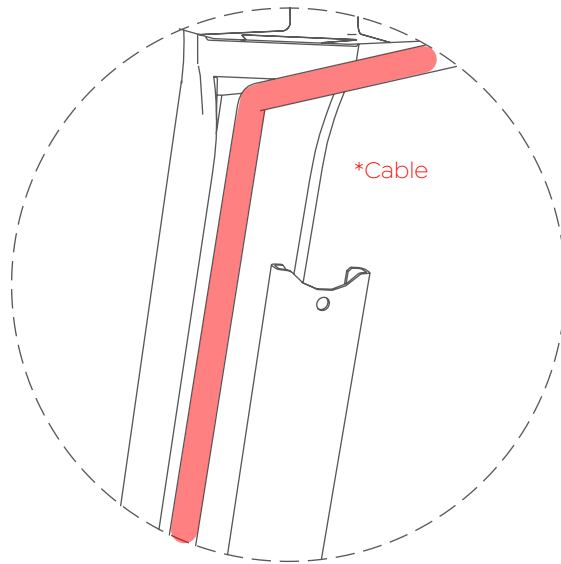
# Team 4-Leg Round Table

## Assembly Instructions

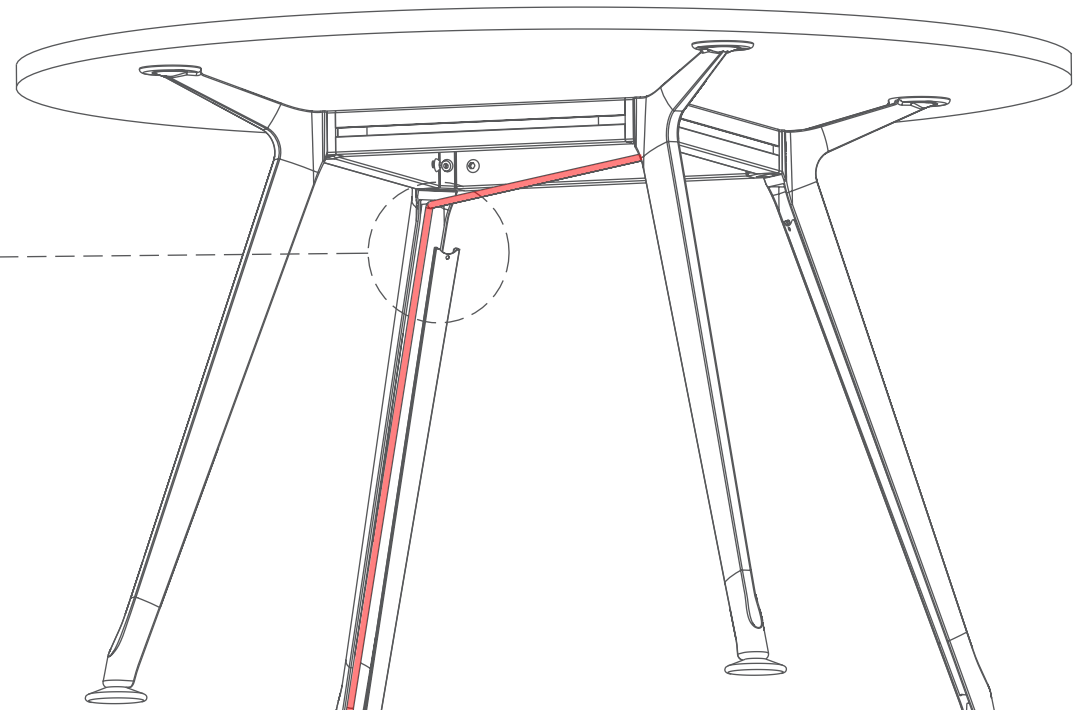
### STEP 4:



## STEP 5:



Conceal any power box cables using the leg cable covers.



# Team 4-Leg Round Table

Assembly Instructions

---

**Complete:**

