

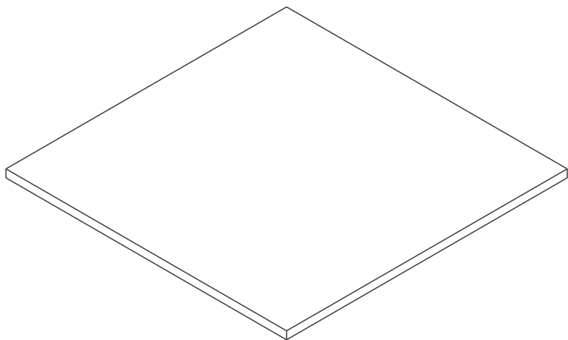


Team 4-Leg Square Table

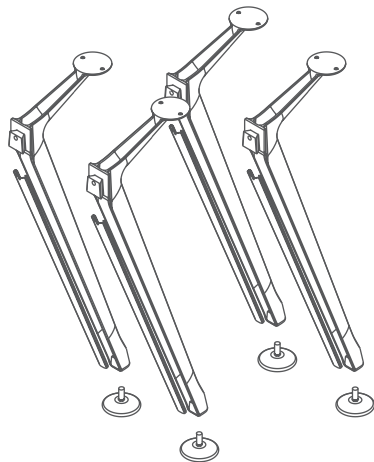
Assembly Instructions

Team 4-Leg Square Table

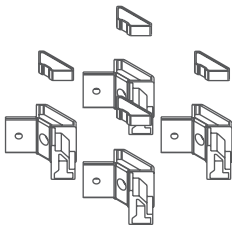
Components List



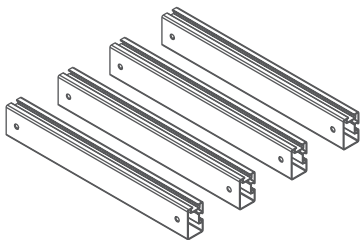
Axis Worktop



4 x Leg



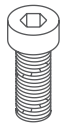
4 x 2-Way Connector & Cap



4 x Rails



8 - M8 x 12mm
(Dome head)

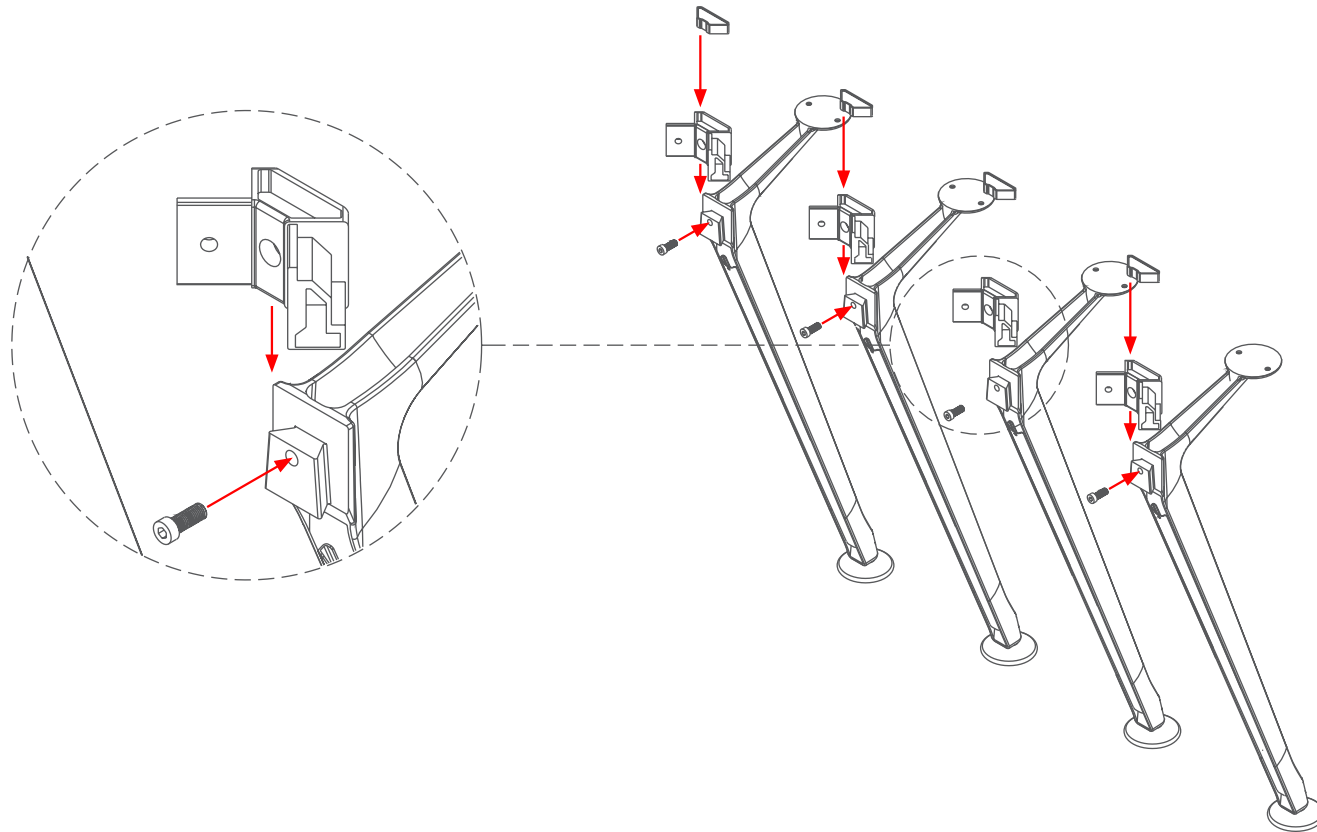
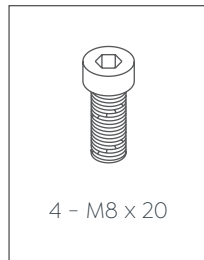


4 - M8 x 20mm
(Cap head)



8 - M5 x 20mm
Self-Tapping

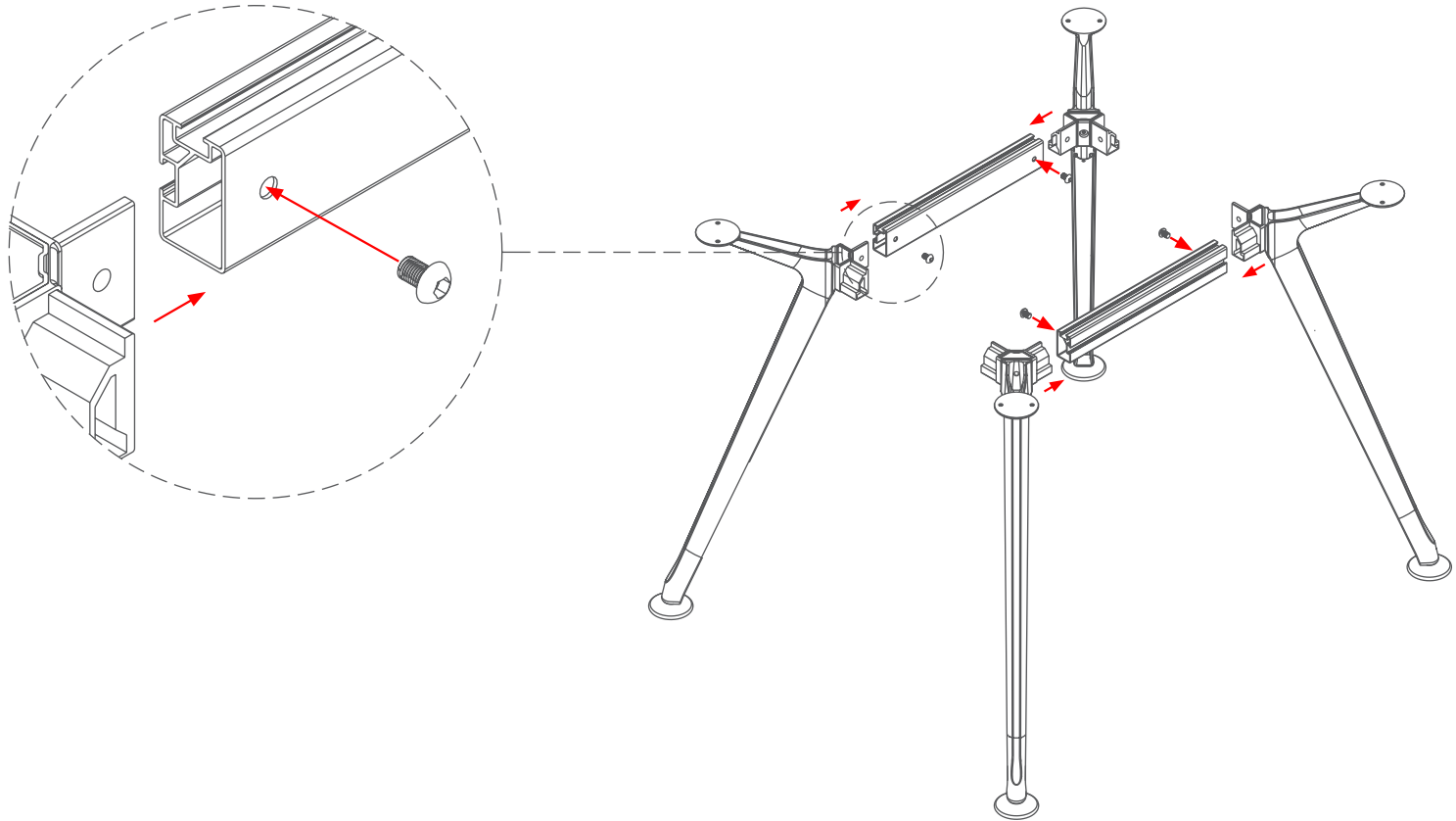
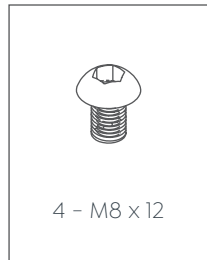
STEP 1:



Team 4-Leg Square Table

Assembly Instructions

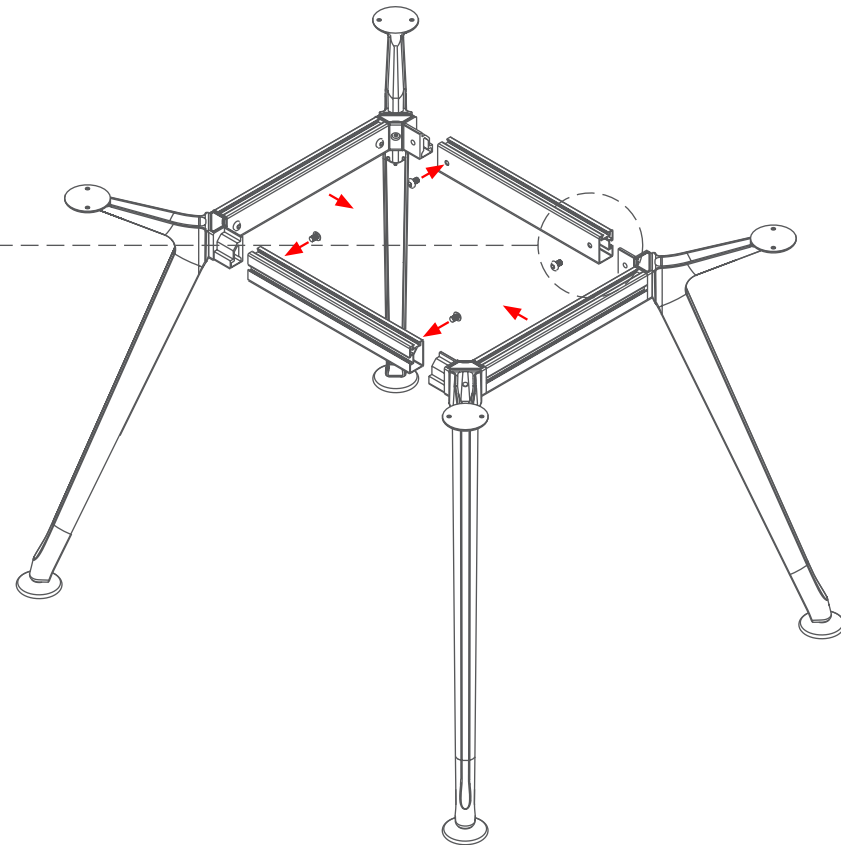
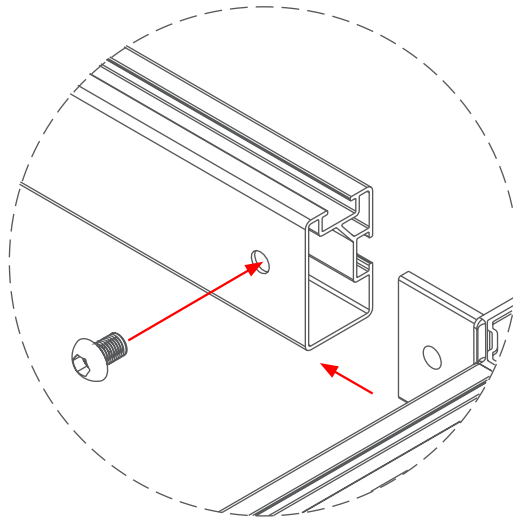
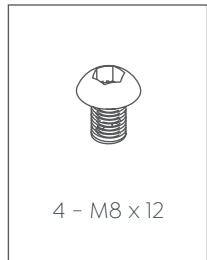
STEP 2:



Team 4-Leg Square Table

Assembly Instructions

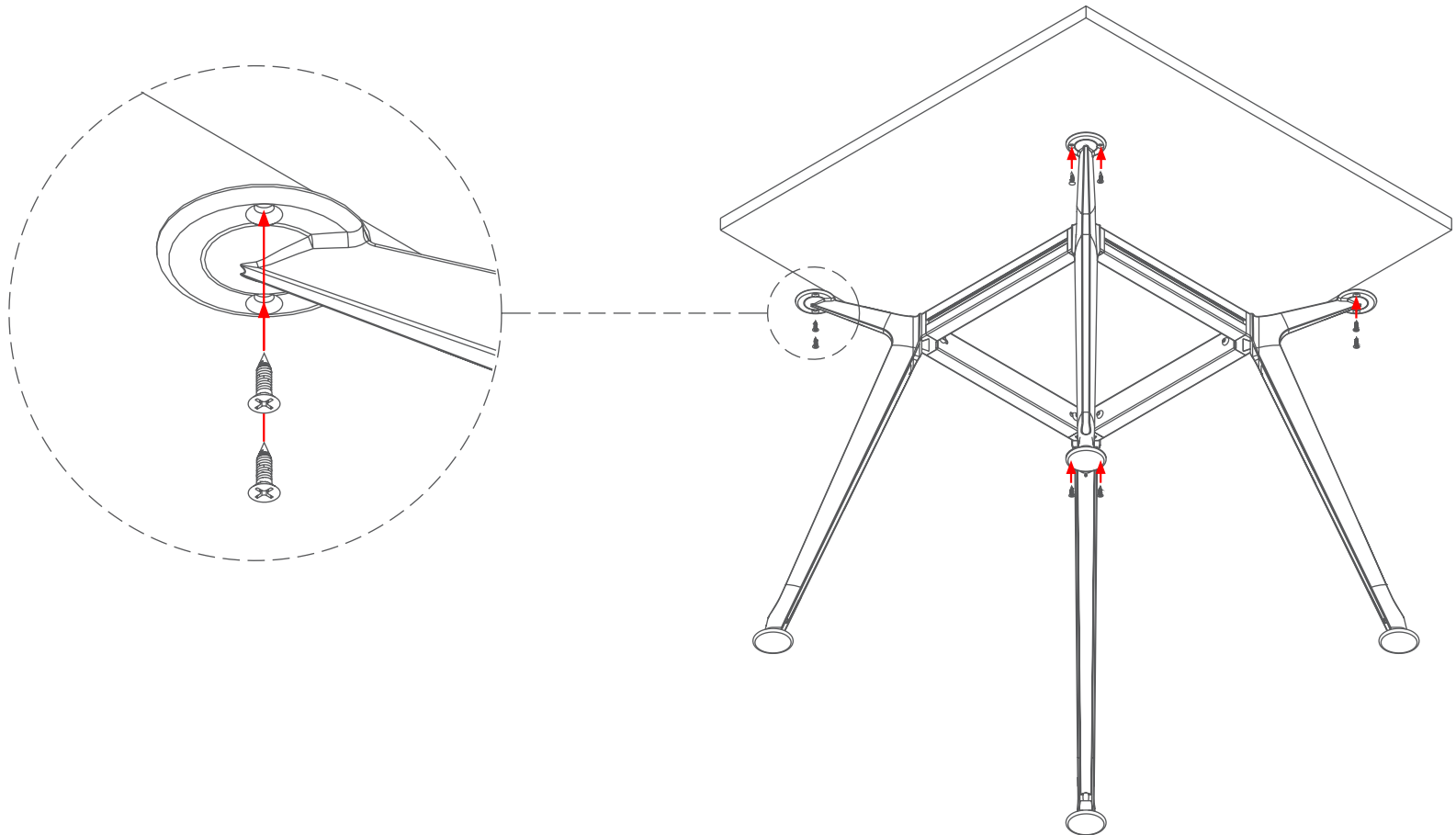
STEP 3:



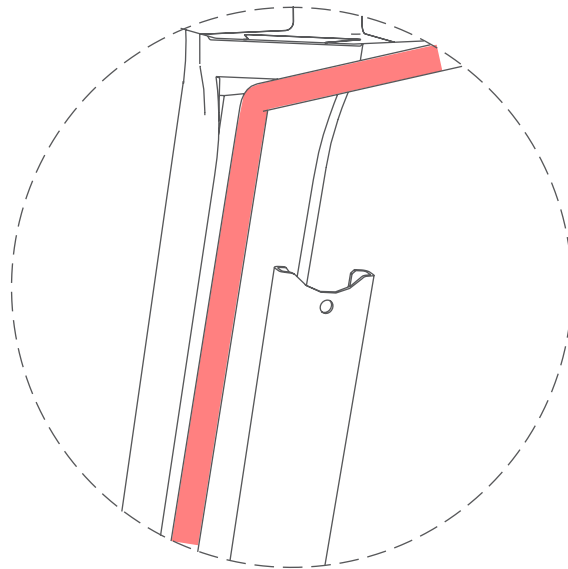
Team 4-Leg Square Table

Assembly Instructions

STEP 4:

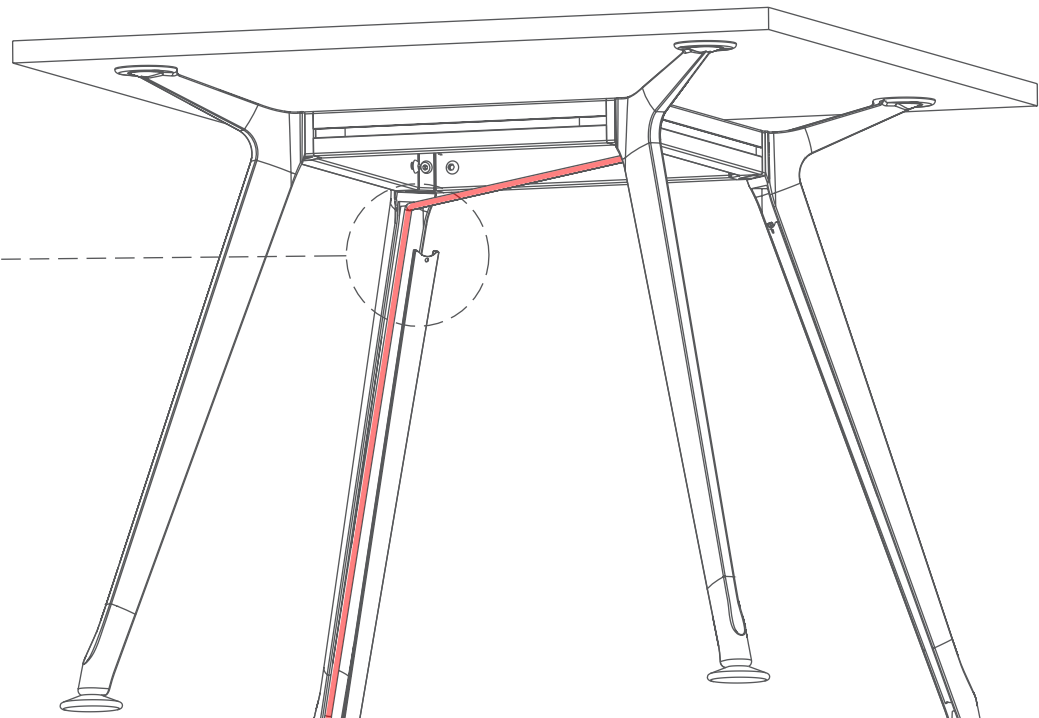


STEP 5:



*Cable

Conceal any power box cables using the leg cable covers.



Team 4-Leg Square Table

Assembly Instructions

Complete:

