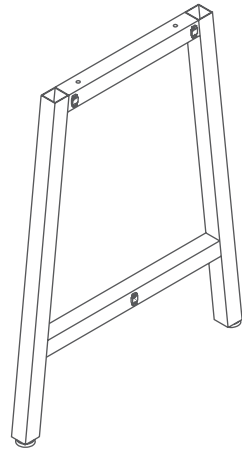


Trestle Bar Leaner

Assembly Instructions

Trestle Bar Leaner

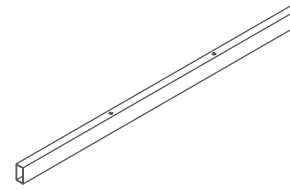
Components List



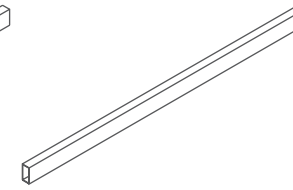
2 x Leg



3 Pair x L & R AXKDSPIGE



2 x AXRAIL



1 x AXBOTRAIL



Electric Driver
Hex



Electric Driver
Square



Allen Key



12 - M8 x 16



12 - M6 x 20

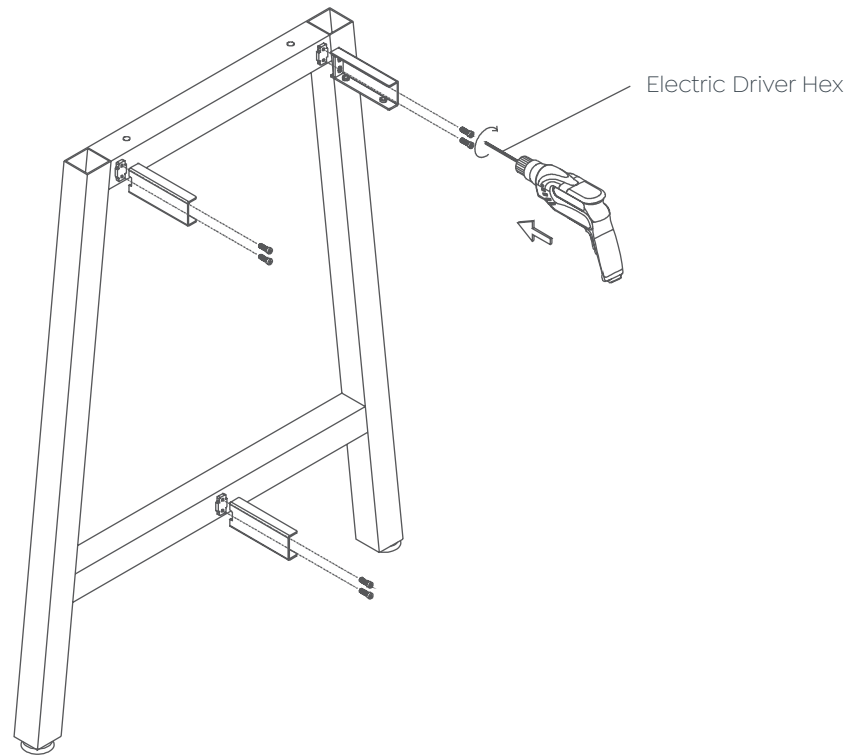


8 - ST5 x 70

STEP 1:



12 - M6 x 20



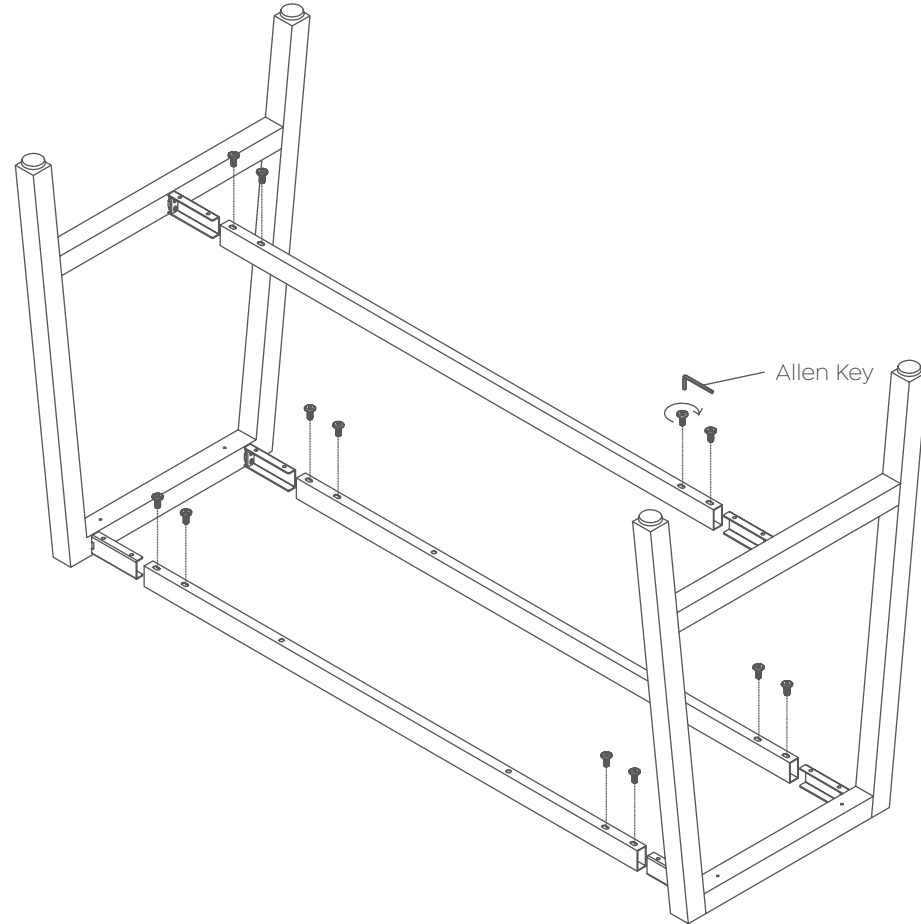
Trestle Bar Leaner

Assembly Instructions

STEP 2:



12 - M8 x 16



Trestle Bar Leaner

Assembly Instructions

STEP 3:

