

Uni Flip

Assembly Instructions

Uni Flip

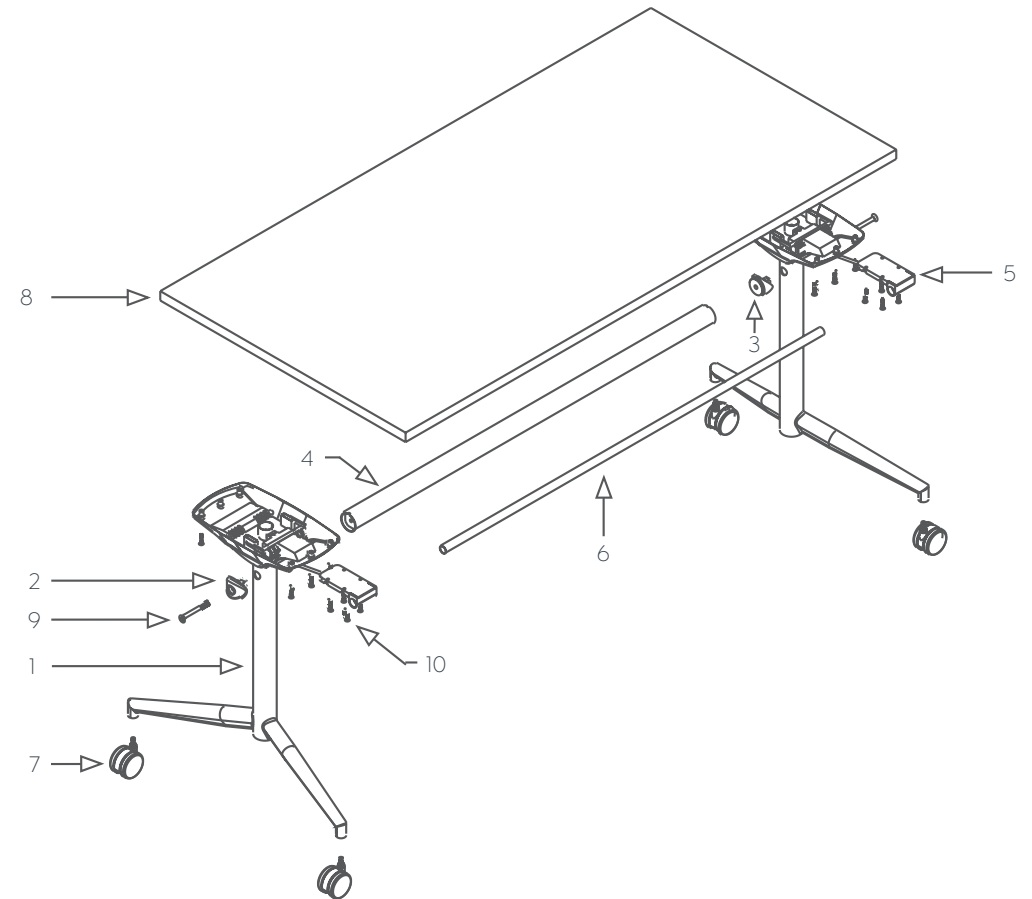
Components List

Components

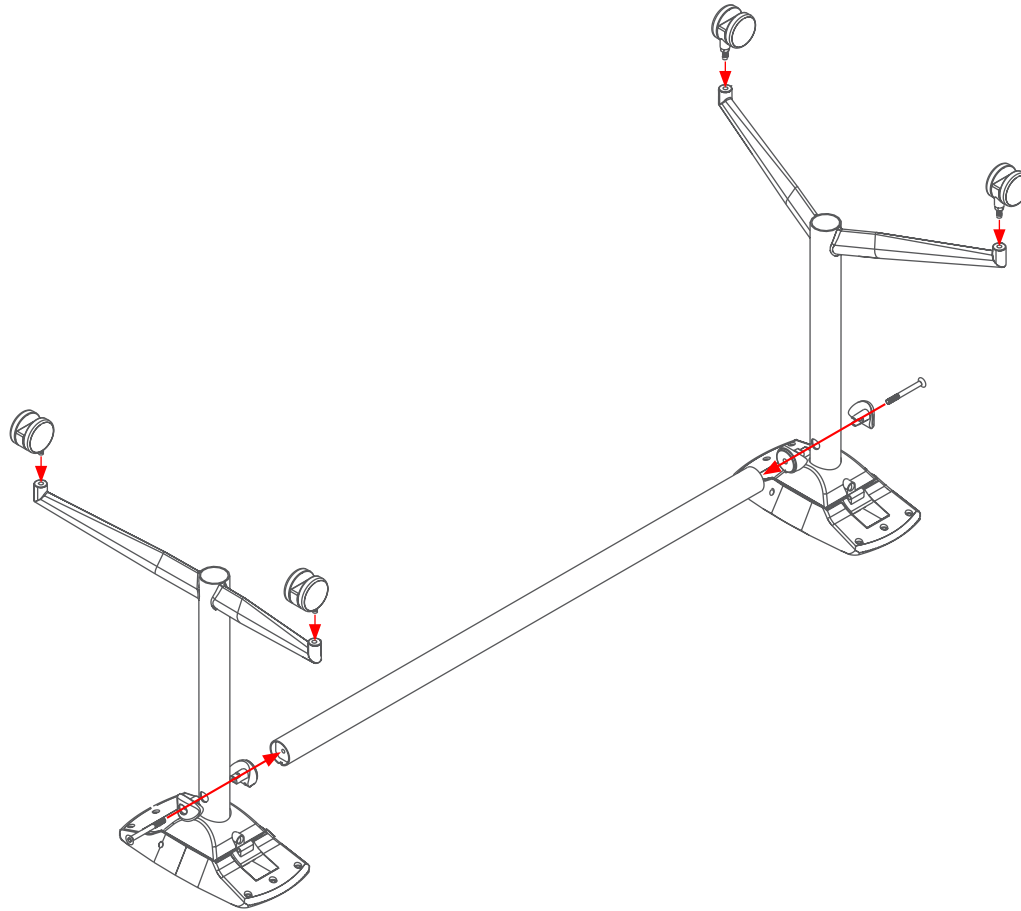
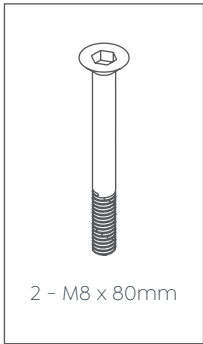
	QTY	Part No.
1 Uni Flip Table Frame Leg	x2	
2 Outside Connector	x2	MODZA04
3 Inside Connector	x2	MODZA03
4 Drop-rail Cross Tube	x1	FWFLRAIL...
5 Side Handle	x2	MODZA14
6 Pullbar	x1	
7 Uni Table Castor	x4	UNICAST
8 Worktop	x1	

Screws

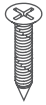
	QTY
9 M8 x 80mm Bolt	x2
10 M5 x 30mm Wood Screw	x20



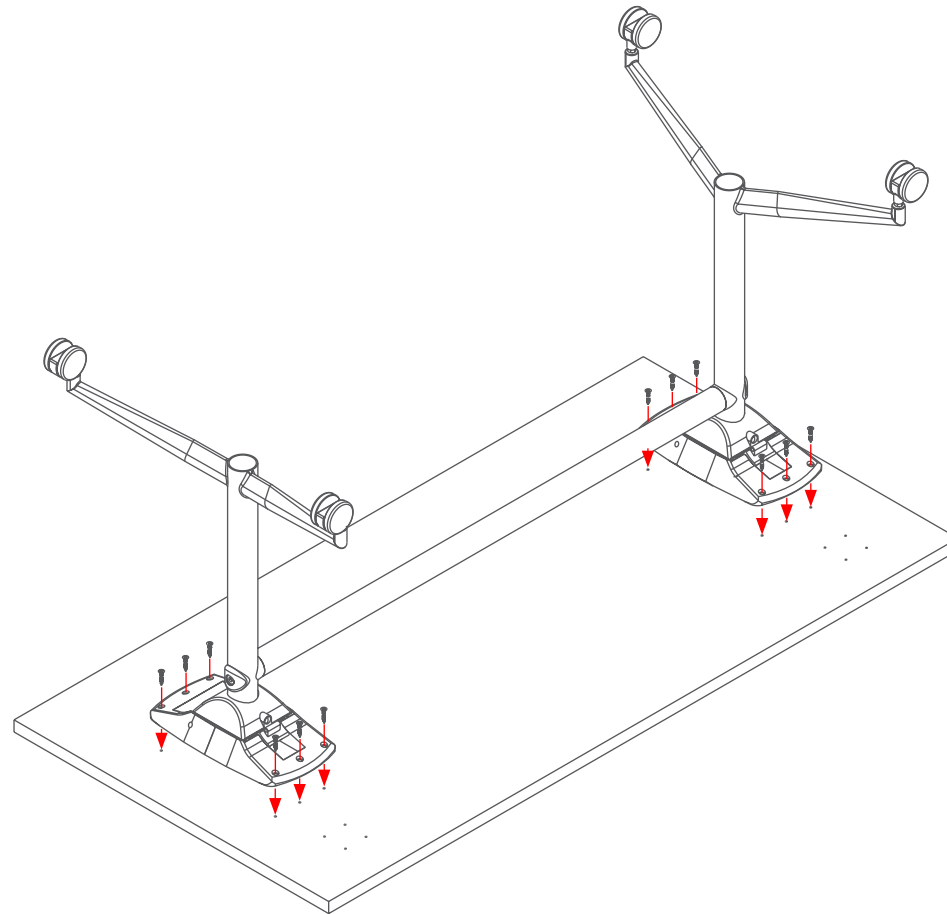
STEP 1:



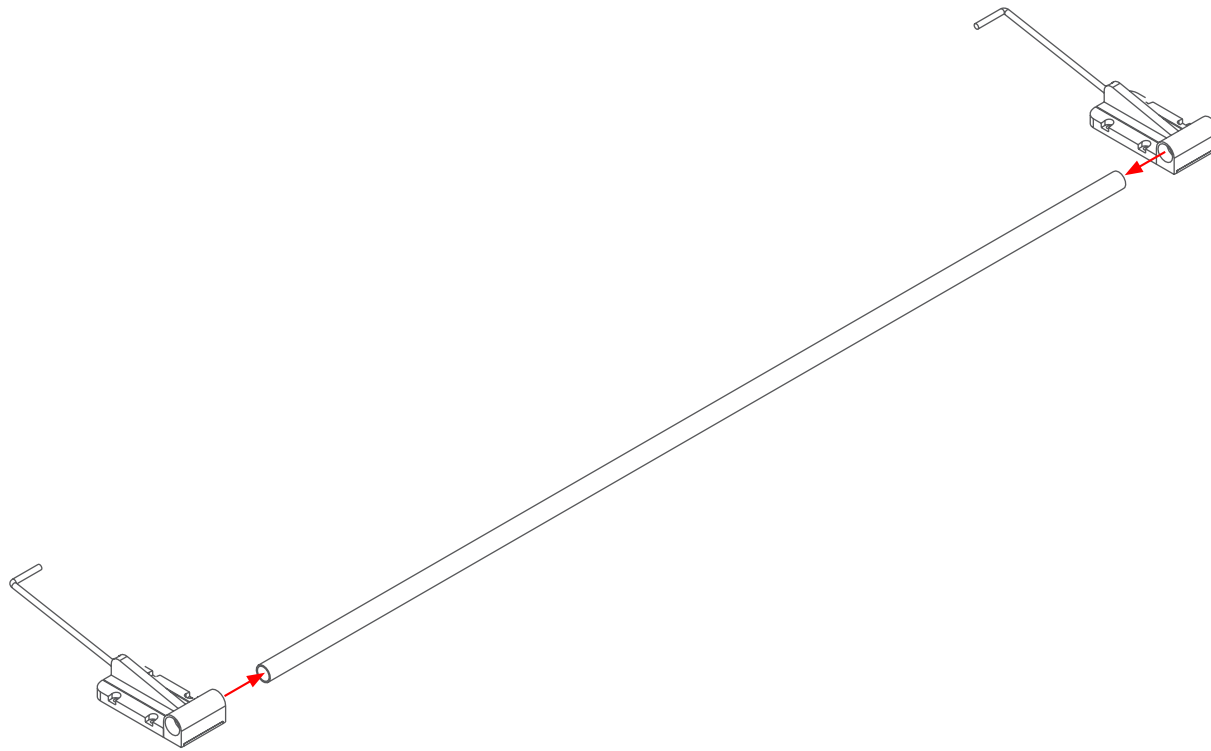
STEP 2:



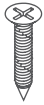
12 - M5 x 30mm



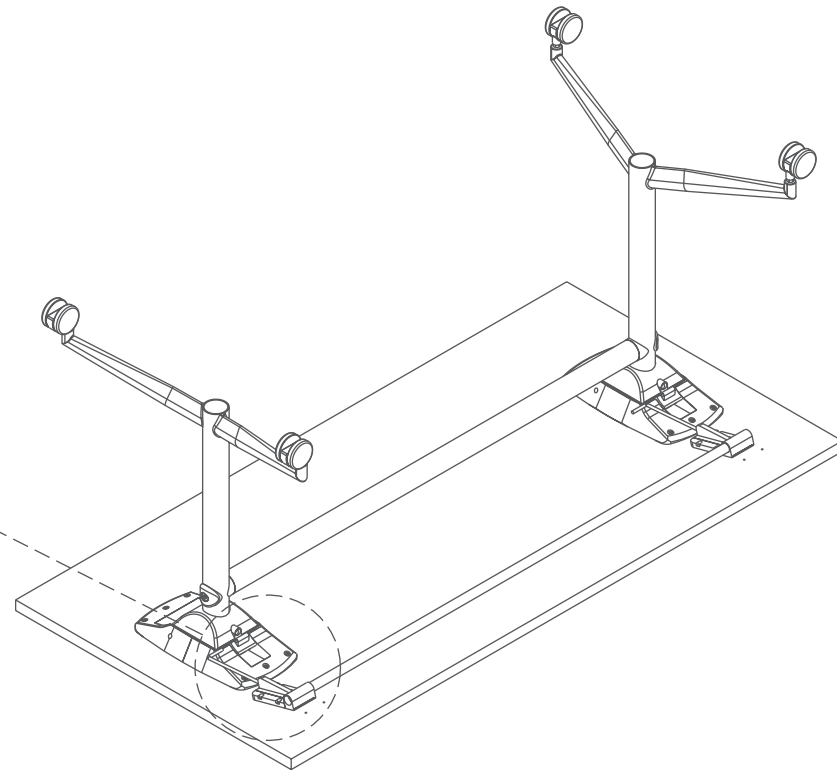
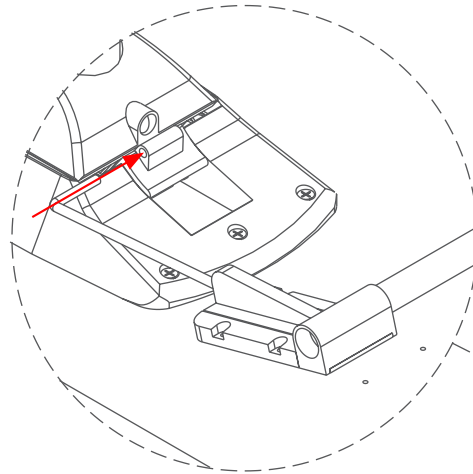
STEP 3:



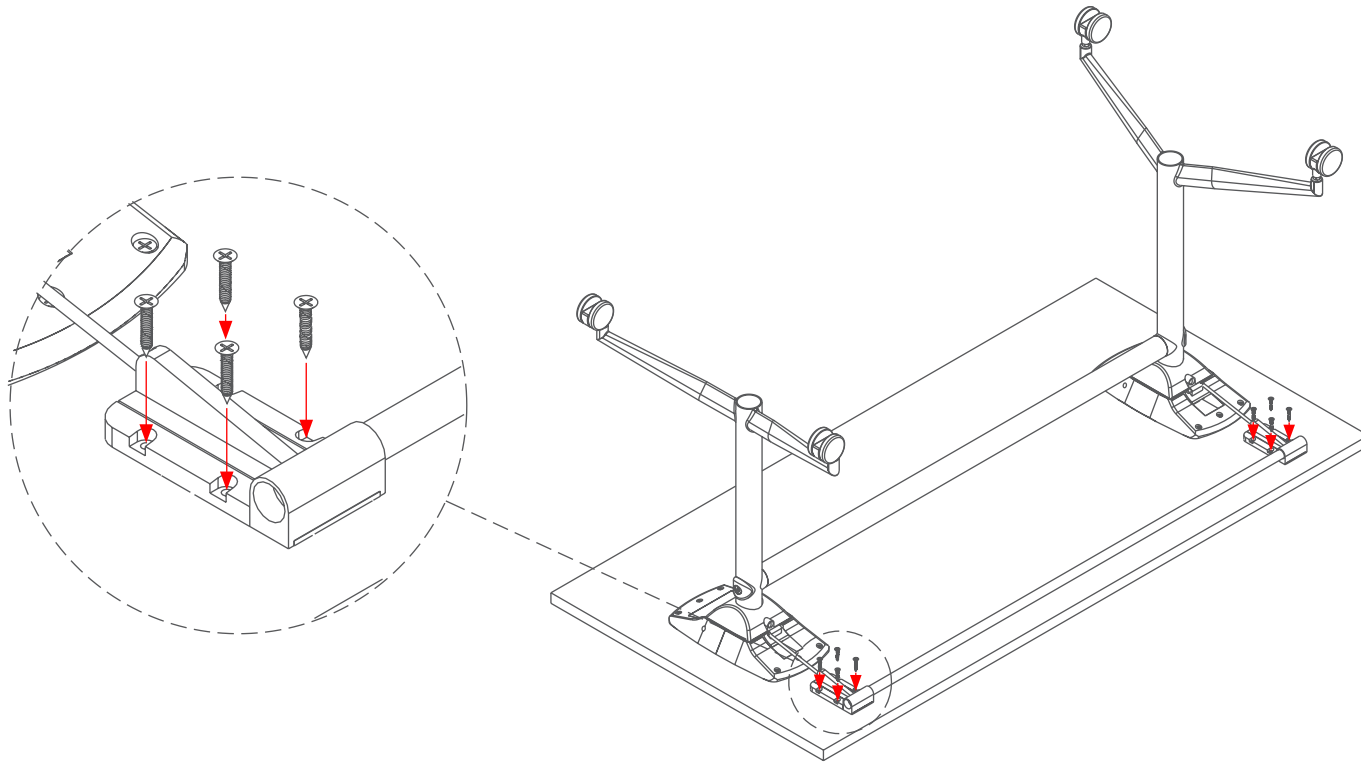
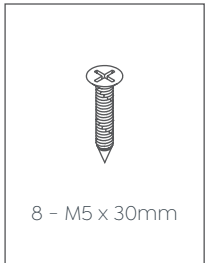
STEP 4:



12 - M5 x 30mm



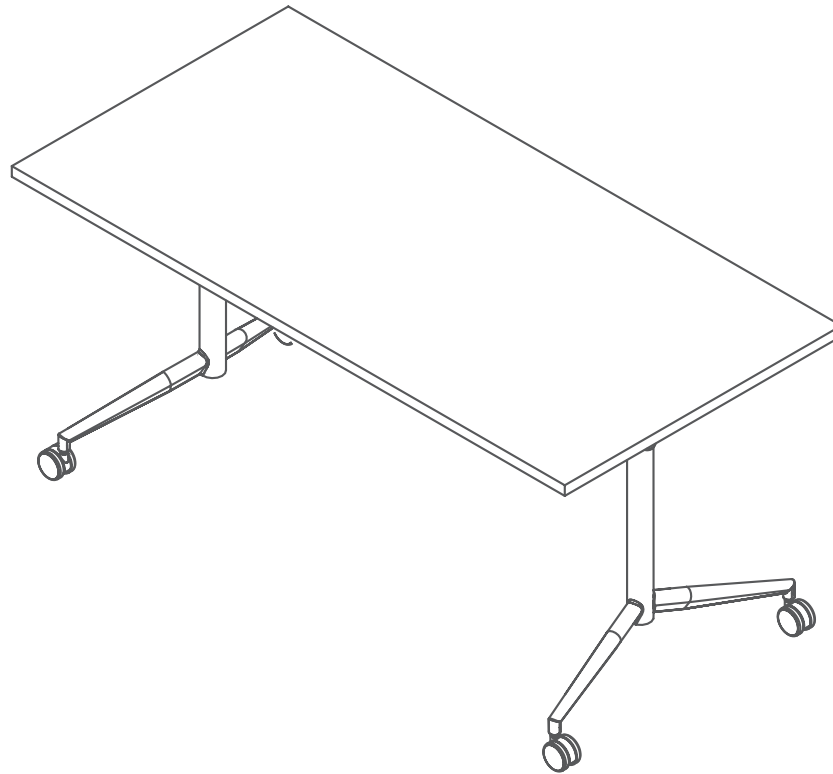
STEP 5:

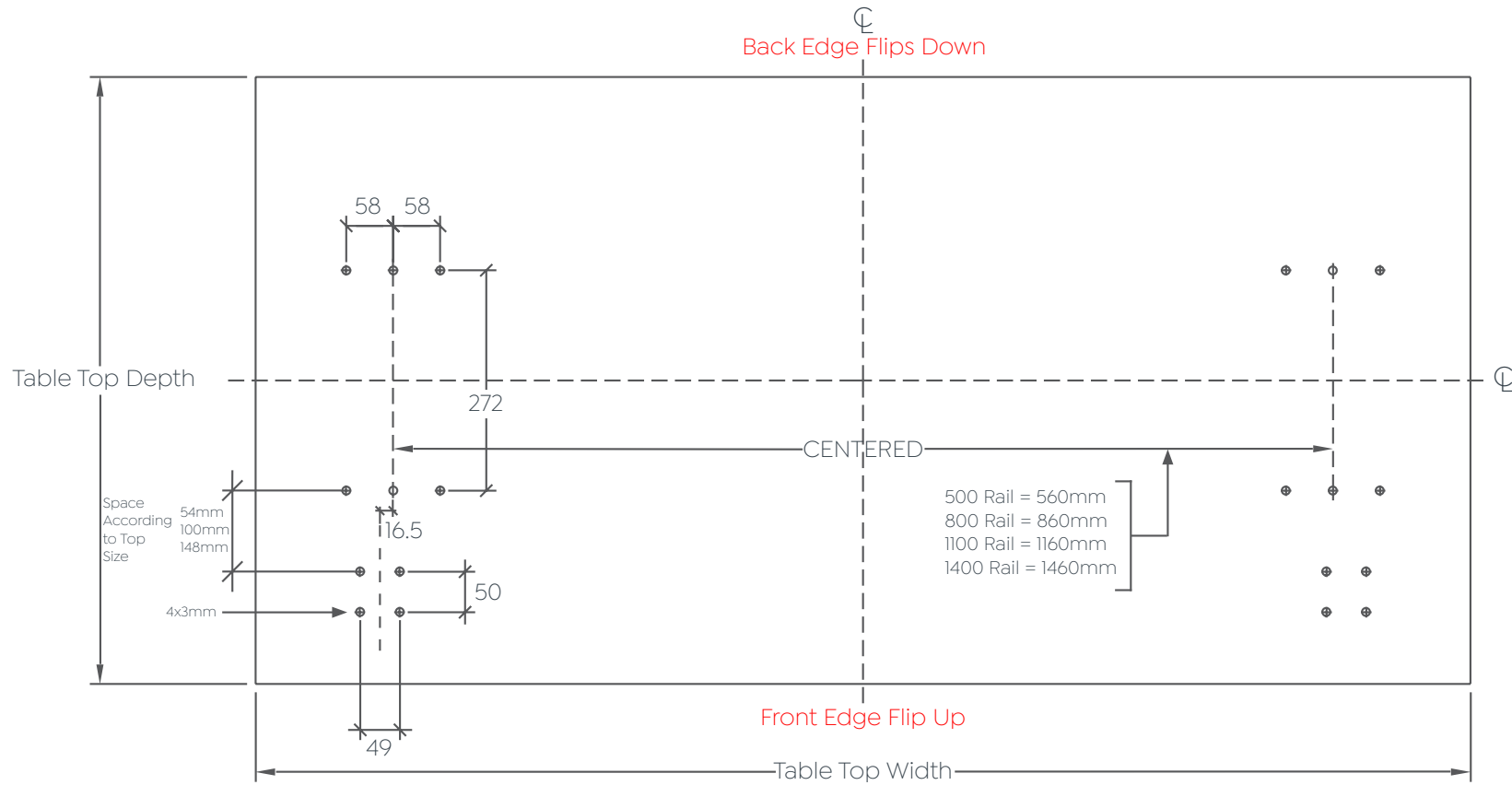


Uni Flip

Assembly Instructions

Complete:

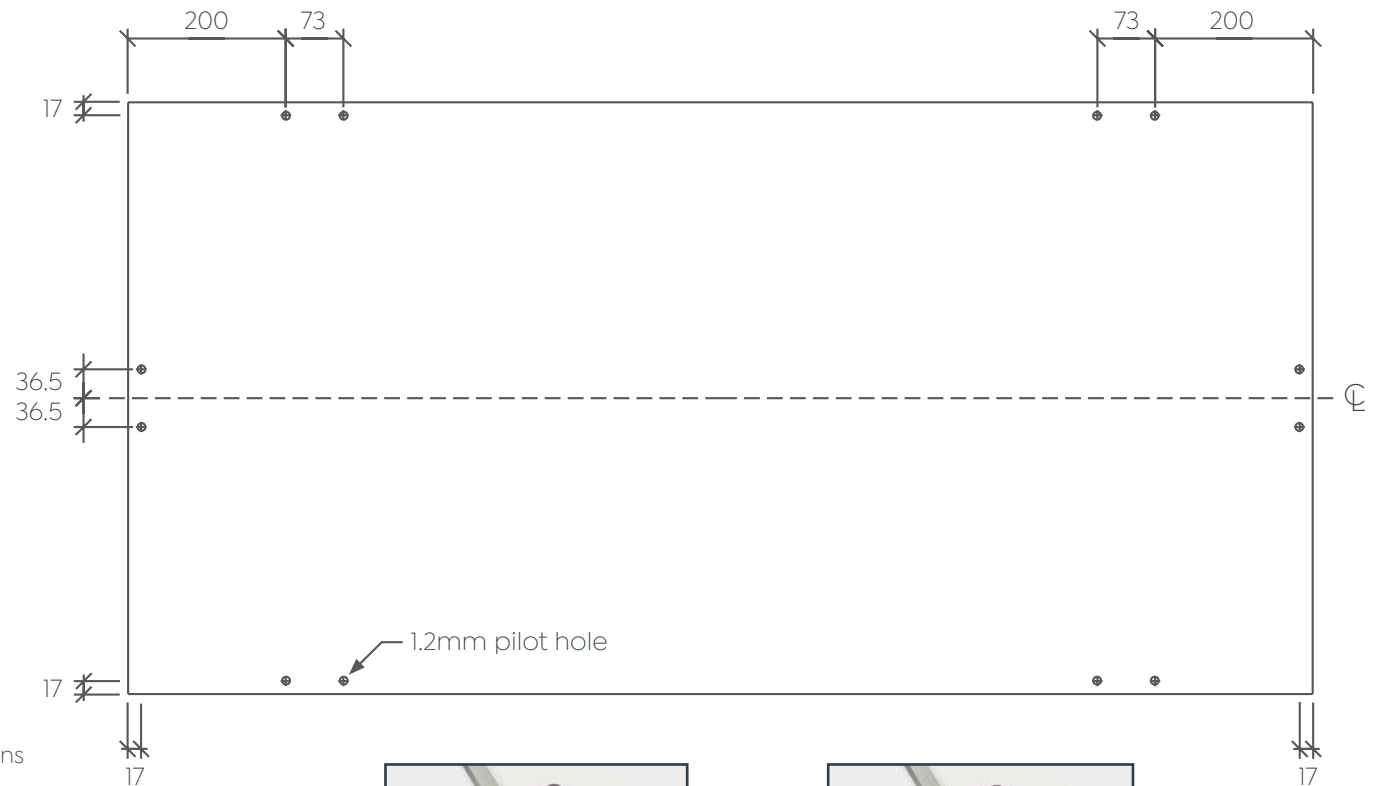




* Holes position for Mechanism and side-handles

Uni Flip

Assembly Instructions



Care Instructions:

Please visit our website for Care & Maintenance instructions
www.olgoffice.com

Statement of Use:

Uni flip tables are designed for general commercial use
in boardrooms, conference rooms & training rooms.



Locked connector link



Unlocked connector link