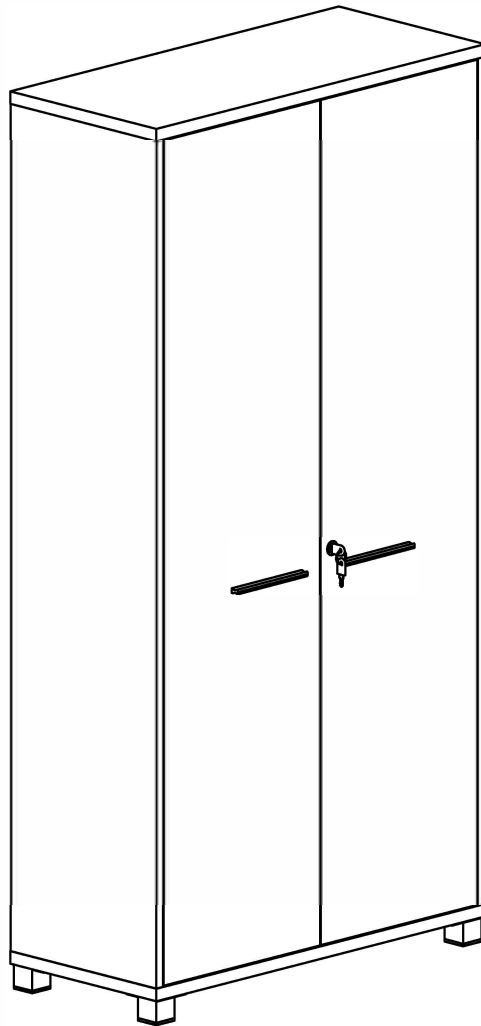
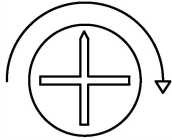


ASSEMBLY INSTRUCTION

AXIS Cupboard 1800H

ITEM No.:AXC18



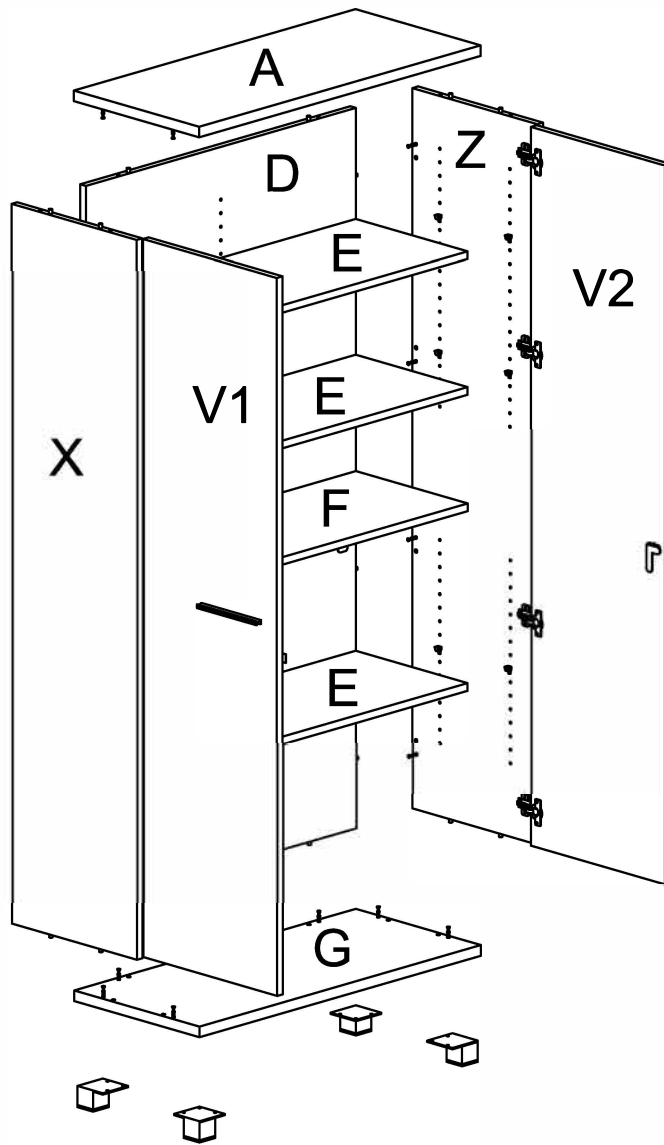
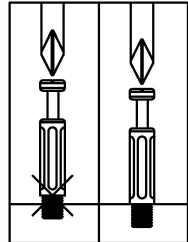


The turning direction of attaching



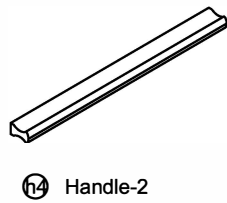
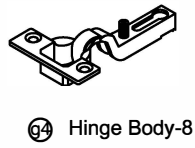
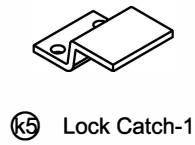
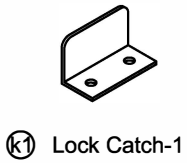
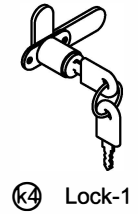
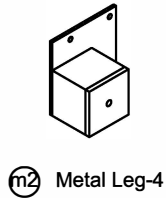
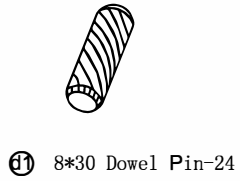
The arrow direction=front

Incorrect Correct

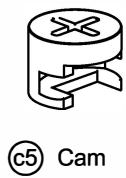


PARTS LIST

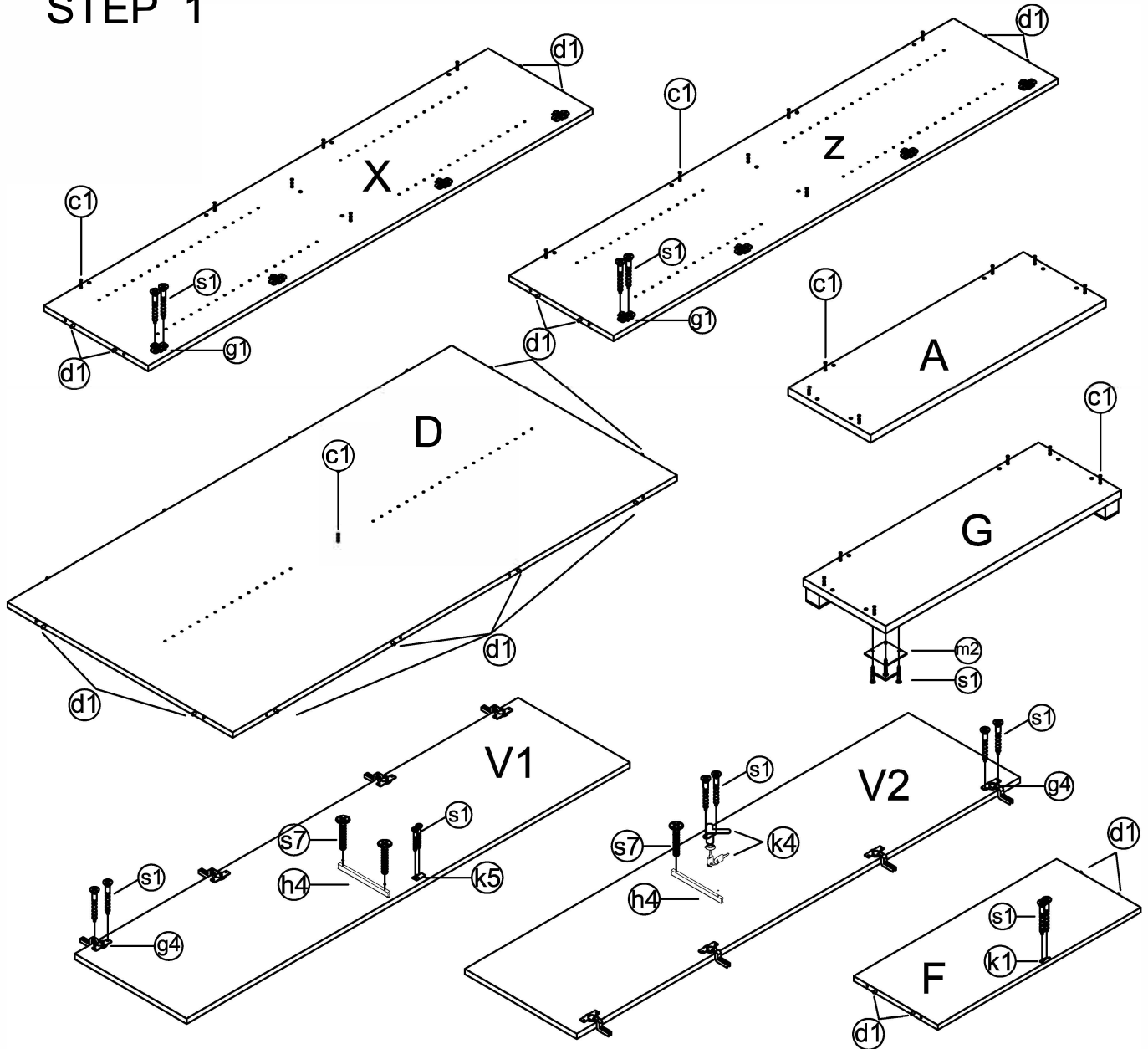
ITEM	DESCRIPTION	QTY.	ITEM	DESCRIPTION	QTY.
A	Top panel	1	(c1)	6*35 Cam Bolt	25
X	Left side panel	1	(d1)	8*30 Dowel pin	24
Z	Right side panel	1	(c2)	(5/8") Cam Cover	25
D	Back panel	1	(p1)	Threaded Dowel Pin	15
G	Bottom panel	1	(s1)	4*16 Screw	50
E	Moveable shelf	3	(m2)	Metal Leg	4
F	Immovable panel	1	(a22)	Height Adjuster	4
V1	Door panel	1	(k1)	Lock Catch	1
V2	Door panel	1	(k4)	Lock	1
			(k5)	Lock Catch	1
			(s7)	4*22 Fix Bolt	4
			(g4)	Hinge Body	8
			(g1)	Hinge Stand	8
			(h4)	Handle	2



Pre-installed parts



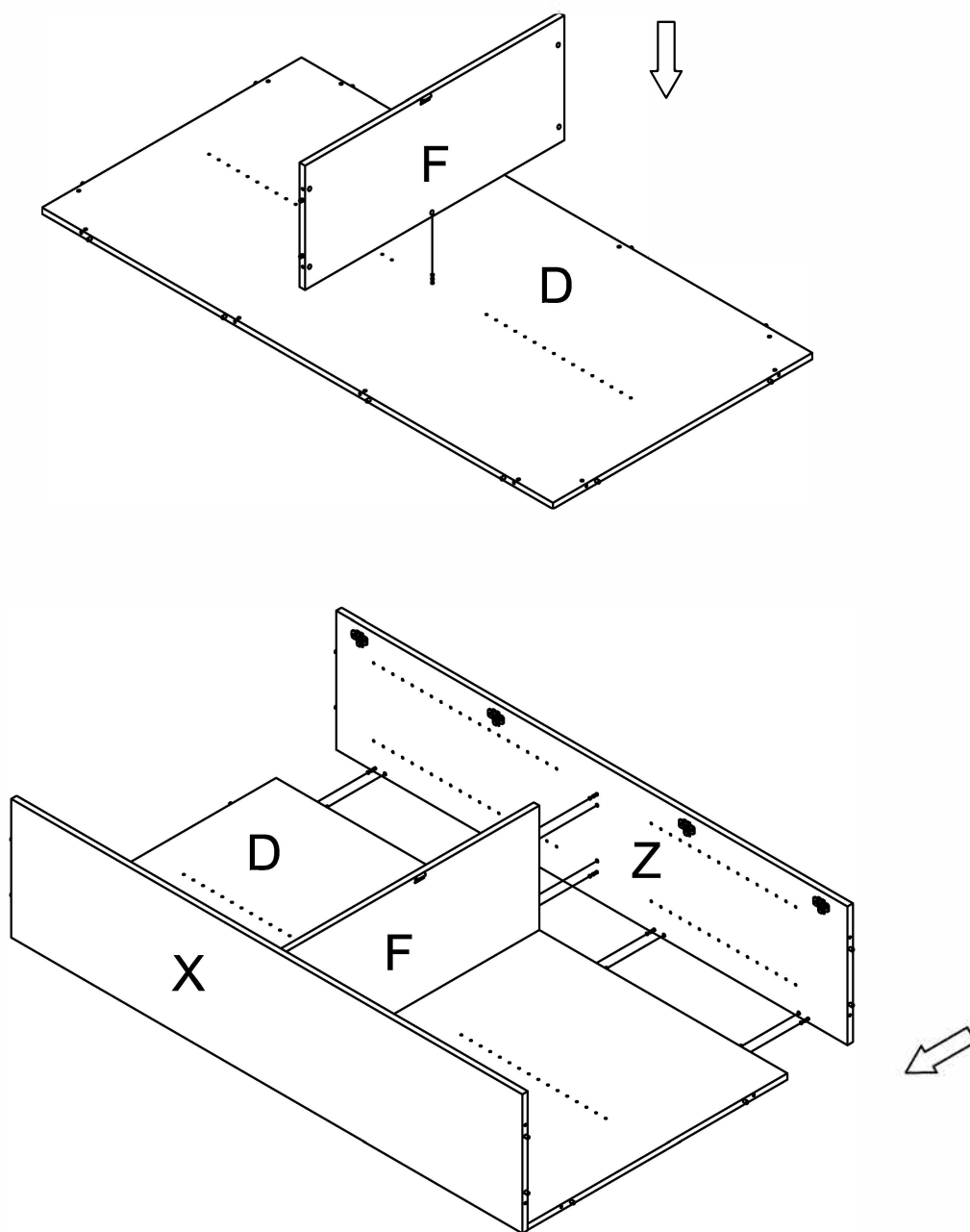
STEP 1



Preparation for Top panel A, Back panel D,Immovable panel F,Bottom panel G,Left side panel X,Right side panel Z .

- 1、 Insert cam bolts (c1) and dowel pins (d1) into panels A ,D,F,G,X and Z as illustrated above.
- 2、 Assemble metal legs (m2) with screws (s1) on bottom panel G.
- 3、 Fix hinge stands (g1) to panels X,Z with screws (s1) as illustrated above.
- 4、 Fix hinge bodies (g4) to panels V1 and V2 with screws (s1) as illustrated above.
- 5、 Fix handles (h4) to panels V1 and V2 with fix bolts (s7) as illustrated above.
- 6、 Fix lock (k4) to panel V2 with screws (s1) as illustrated above.
- 7、 Fix lock catch (k5) to panel V1 with screw (s1) as illustrated above .
- 8、 Fix lock catch (k1) to panel F with screws (s1) as illustrated above.

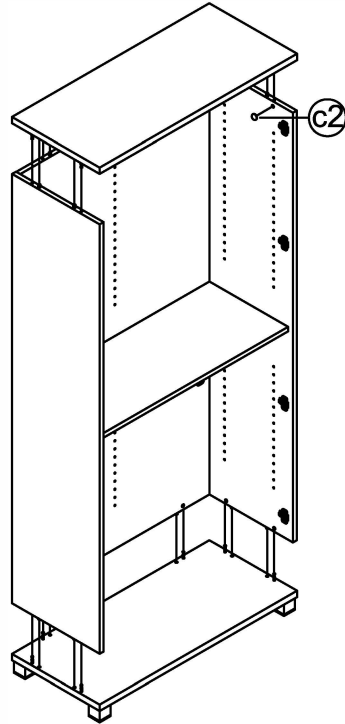
STEP 2



Left side panel X and Right side panel Z assembly.

- 1、 Fix cams on panel F into cam bolts (c1) on panel D and tighten in a clockwise direction as illustrated above.
- 2、 Insert cam bolts c1 and dowel pins (d1) on panel X and Z into cams on panel D ,F and tighten in a clockwise direction as illustrated above.

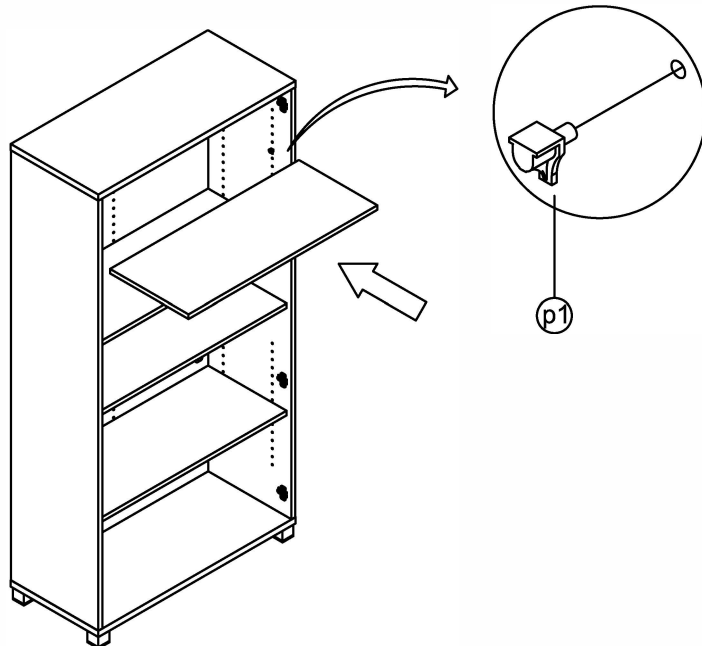
STEP 3



Bottom panel G and Top panel A assembly.

1. Insert cam bolts (c1) and dowel pins (d1) on panel G and A into cams on panel X,Z and D and tighten in a clockwise direction as illustrated above.
2. Cover the cam covers (c2) on the top of cams.

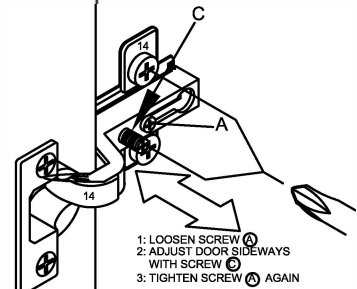
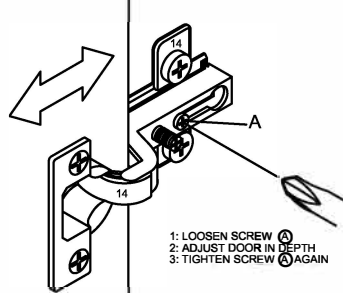
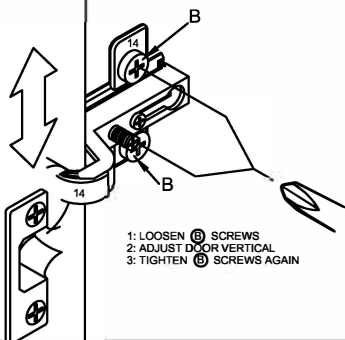
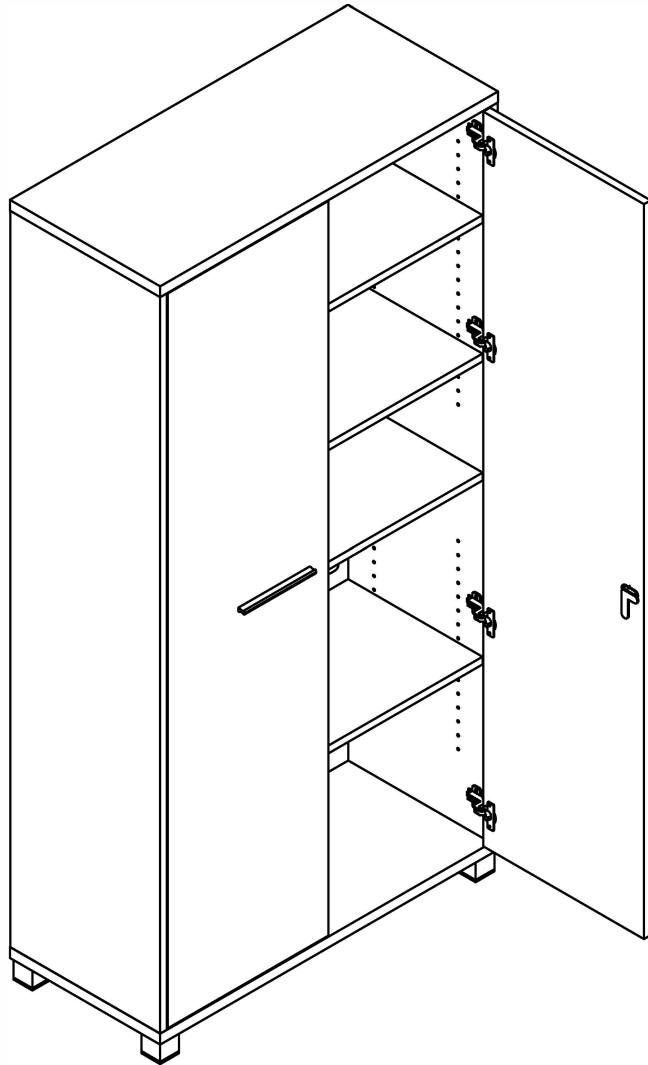
STEP 4



Moveable shelf E assembly.

1. Insert threaded dowel pins (p1) into panels X ,D and Z as illustrated above.
2. Put the three panels E on the top of threaded dowel pins (p1) as illustrated above.

STEP 5

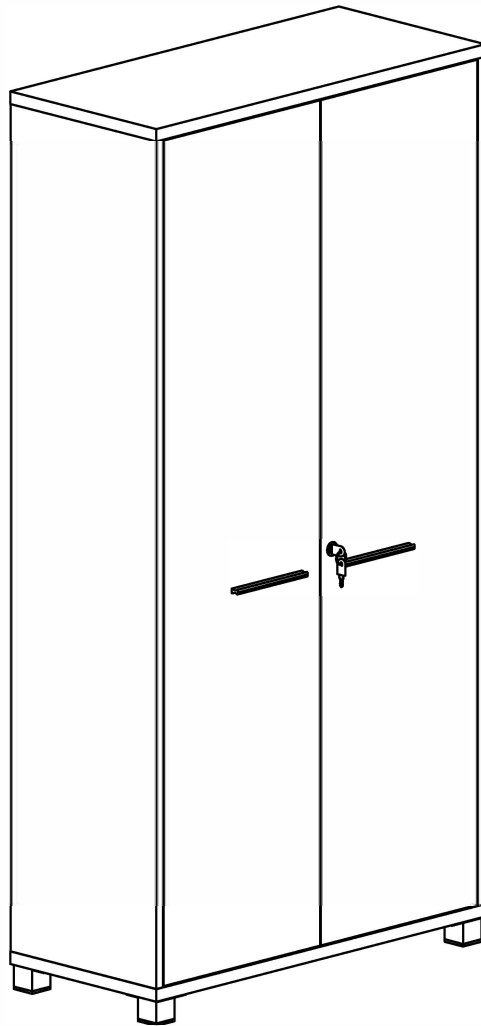


Door panel V1,V2 assembly.

You have now successfully completed the assembly on item:

AXIS Cupboard 1800H

ITEM No.:AXC18



Remove all QC and panel labels and wipe clean using a damp cloth and general household cleaner .