



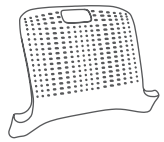
---

## Adapta Chair

Assembly Instructions

# Adapta Chair

## Components List



Backrest

A



Armrests

B



Frame

C



4 x Castor

D



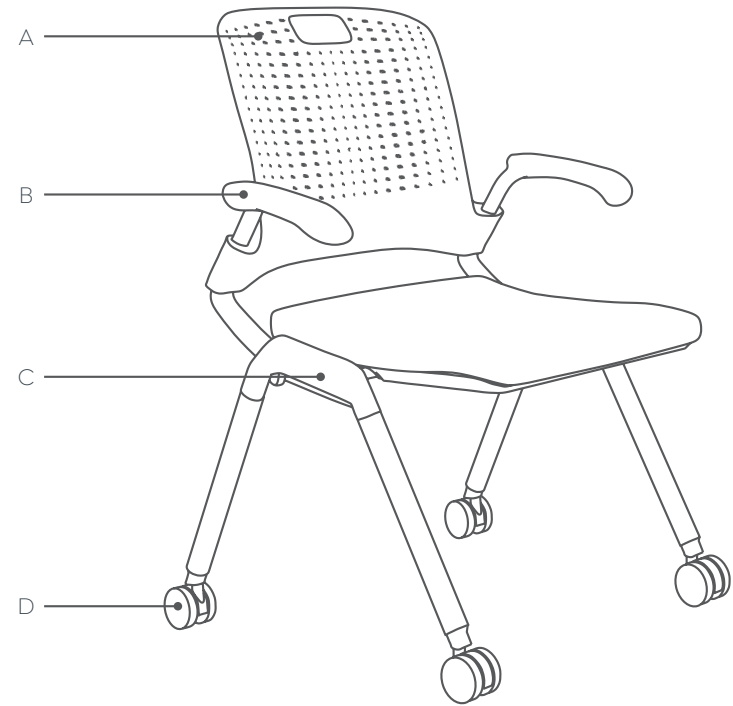
Rubber Mallet

1

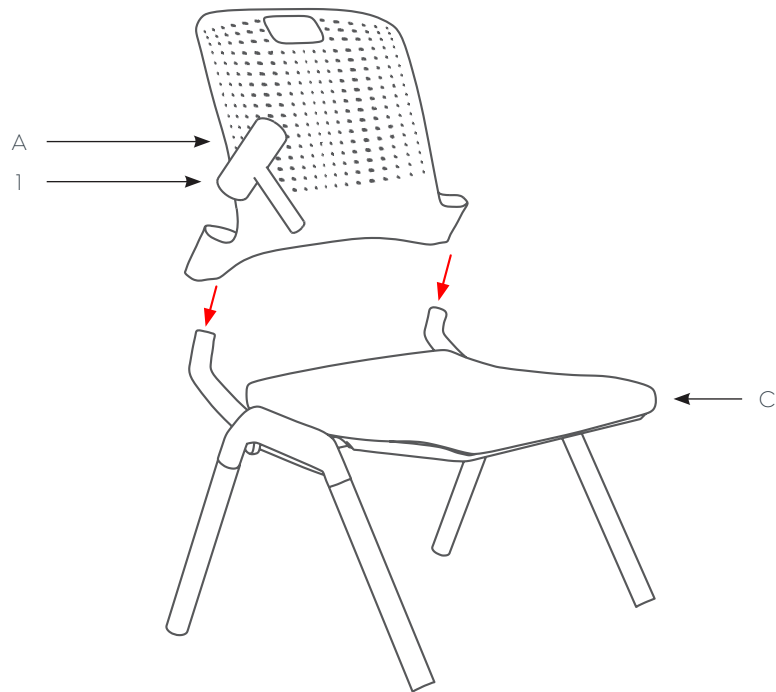


10 - M7 x 20mm

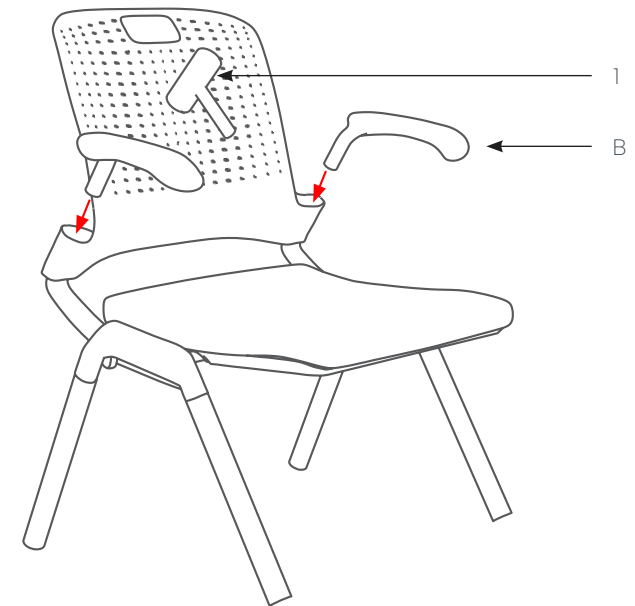
2



## STEP 1:



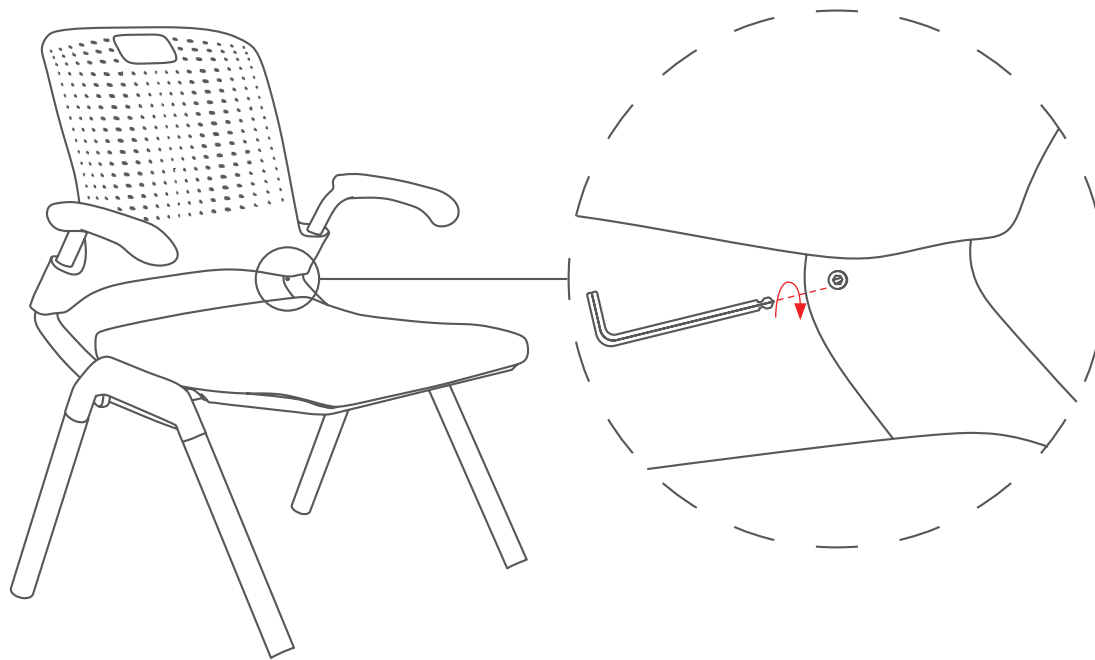
## STEP 2:



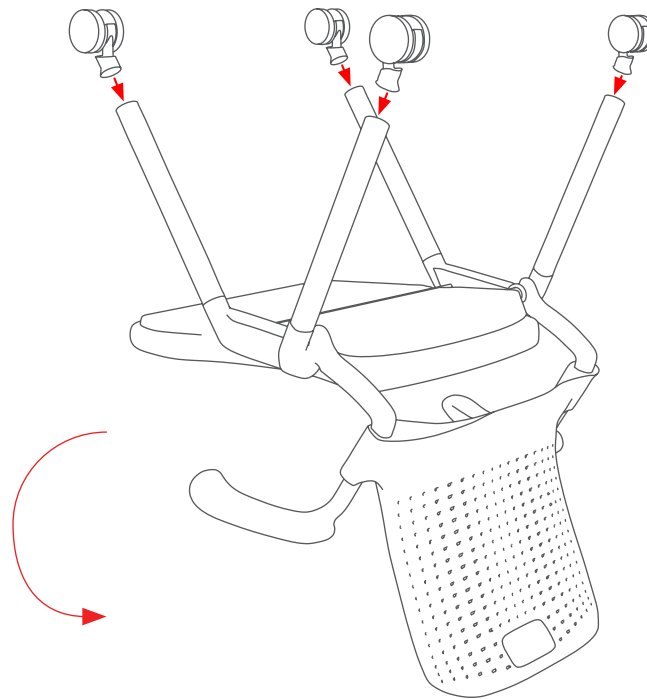
# Adapta Chair

## Assembly Instructions

### STEP 3:



## STEP 4:



# Adapta Chair

Assembly Instructions

---

**Complete:**

